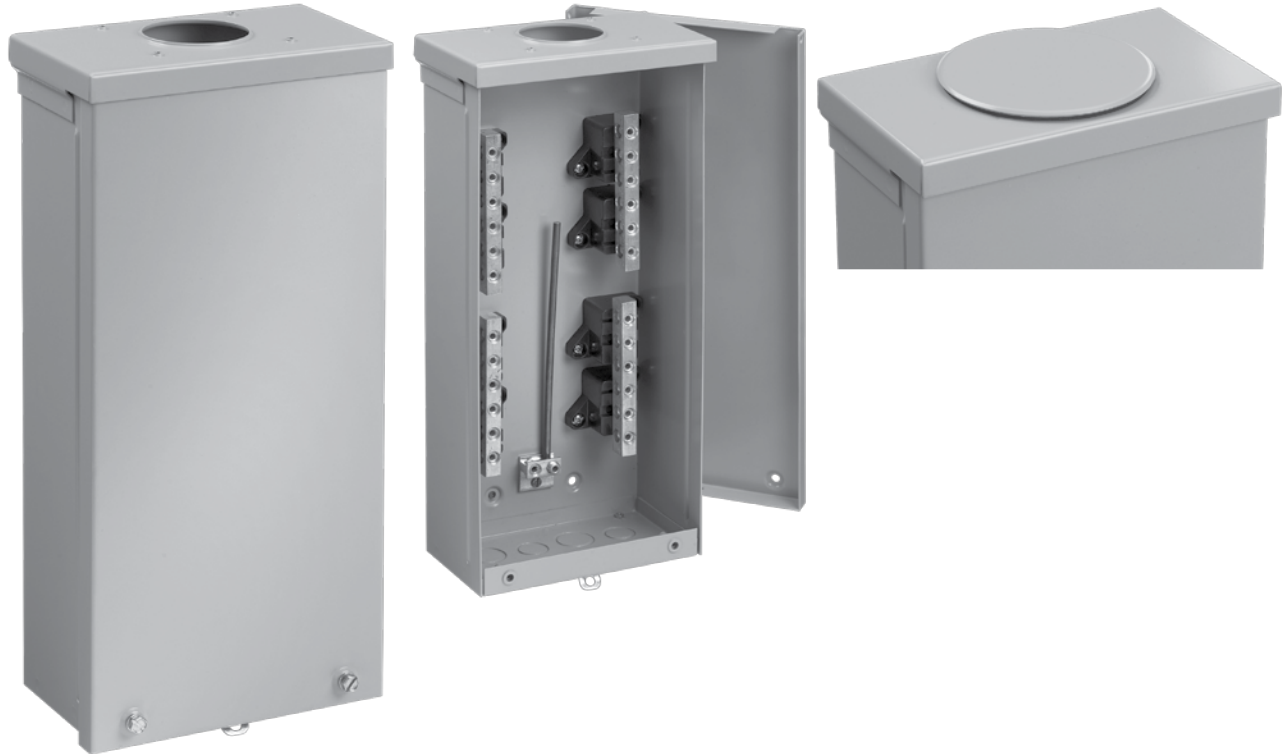


**TERMINAL BOX, TYPE 3R**



**INDUSTRY STANDARDS**

UL 1773 Listed; Type 3R; File No. E256098  
 UL 50, 50E Listed; Type 3R; File No. E27525  
 cUL Listed per CSA C22.2 No 94; Type 3R; File No. E27525

NEMA/EEMAC Type 3R  
 IEC 60529, IP32

**APPLICATION**

These Terminal Boxes are wire-splice boxes for outdoor commercial and industrial applications that have a feeder tap to branch circuits. Boxes are available in three- or four-wire configurations in sizes up to 400 A.

**FEATURES**

- Drip-shield top and seam-free sides, front and back
- Removable cover
- Distribution lugs installed (see table for sizes)
- Hub opening at top with cover

- Provisions for padlocking or seal
- Knockouts on bottom of enclosure
- Grounding provisions

**SPECIFICATIONS**

- 16 gauge galvanized steel

**FINISH**

ANSI 61 gray polyester powder paint finish inside and out over galvanized steel.

**ACCESSORIES**

*See also Accessories.*  
 Touch-Up Paint  
 Interchangeable Bolt-on Hub  
 Lug Assembly

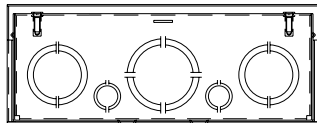
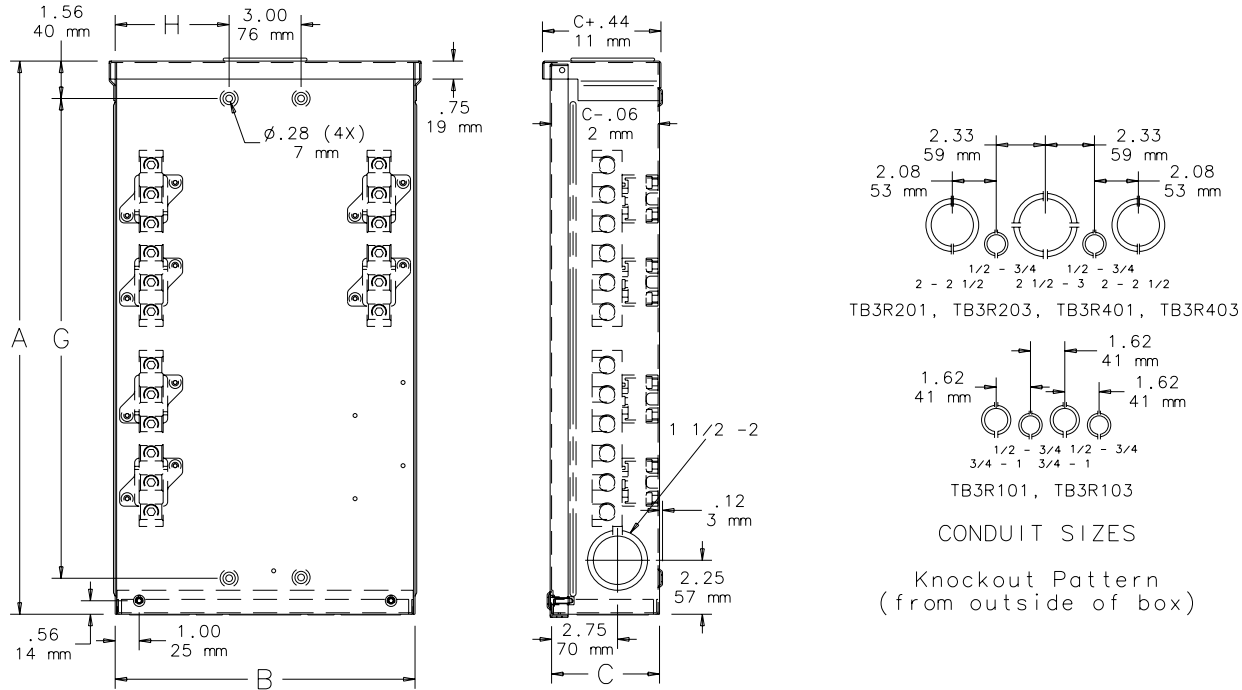
**BULLETIN: S90B3**

Standard Product

Catalog Number	AxBxC in./mm	Volts	Phase	Amps	Number of Bars	Wire Range	G in./mm	H in./mm
TB3R101	18.00 x 8.00 x 4.50 457 x 203 x 114	120/240	1Ø	100	3	(6) #14-2/0	15.00 381	3.88 99
TB3R103	18.00 x 8.00 x 4.50 457 x 203 x 114	600	3Ø	100	4	(6) #14-2/0	15.00 381	3.88 99
TB3R103240	18.00 x 10.75 x 4.50 457 x 273 x 114	120/240	3Ø	100	4	(6) #14-2/0	15.00 381	3.88 99
TB3R201	23.00 x 12.00 x 4.50 584 x 305 x 114	120/240	1Ø	200	3	(6) #6-350MCM	20.00 508	5.50 140
TB3R203	23.00 x 12.00 x 4.50 584 x 305 x 114	600	3Ø	200	4	(6) #6-350MCM	20.00 508	5.50 140

Catalog Number	AxBxC in./mm	Volts	Phase	Amps	Number of Bars	Wire Range	G in./mm	H in./mm
TB3R203240	23.00 x 14.00 x 4.50 584 x 356 x 114	120/240	3Ø	200	4	(6) #6-350MCM	20.00 508	5.50 140
TB3R401	27.00 x 16.00 x 5.00 686 x 406 x 127	120/240	1Ø	400	3	(6) #4-600MCM	24.00 610	8.75 222
TB3R403	27.00 x 16.00 x 5.00 686 x 406 x 127	600	3Ø	400	4	(6) #4-600MCM	24.00 610	8.75 222

TB3R401 is UL and cUL for copper conductor only



87790363

**INTERCHANGEABLE BOLT-ON HUB**



**BULLETIN: S90B3**

Catalog Number	Fits Conduit Size (in.)	Fits Conduit Size (mm)
TBHUB10	1.00	25
TBHUB12	1.25	32
TBHUB15	1.50	38
TBHUB20	2.00	51
TBHUB25	2.50	64

**LUG ASSEMBLY**



**BULLETIN: S90B3**

Catalog Number	Wire Range
TBL100	(6) #14-2/0
TBL200	(6) #6-350 MCM
TBL400	(6) #4-600 MCM