

**FIBERGLASS WIRING TROUGH, NEMA TYPE 12 AND 3R****INDUSTRY STANDARDS**

Flammability Rating UL 94-5V  
Meets UL cold impact test for temperatures to -35 C

NEMA Type 12 and Type 3R  
IEC 60529, IP55  
Recognized by National Electric Code for indoor and outdoor applications

**APPLICATION**

This lightweight, temperature- and chemically-resistant fiberglass trough is designed for use in corrosive or dirty indoor or outdoor applications.

**FEATURES**

- Seams are sealed
- No holes or knockouts
- Captivated Monel cover screws
- Oil-resistant gasket attached with oil-resistant adhesive

**SPECIFICATIONS**

- Pultruded fiberglass polyester bodies and covers

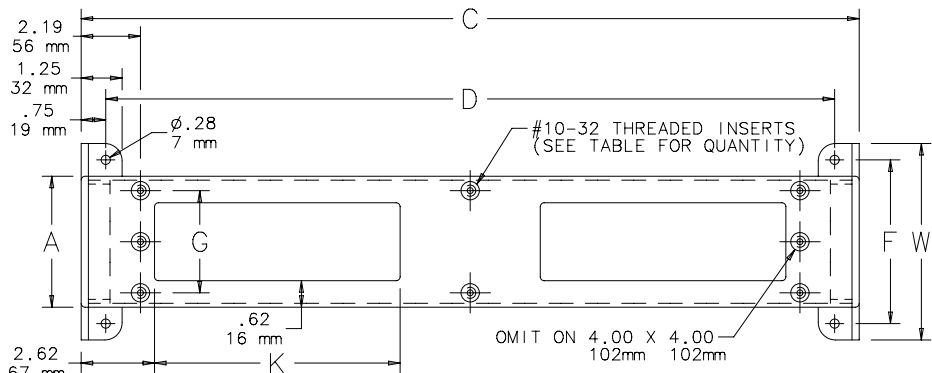
**FINISH**

Fiberglass wireway is gray inside and out.

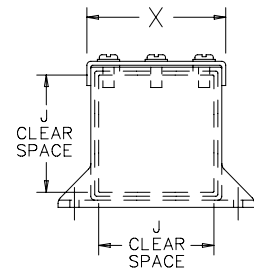
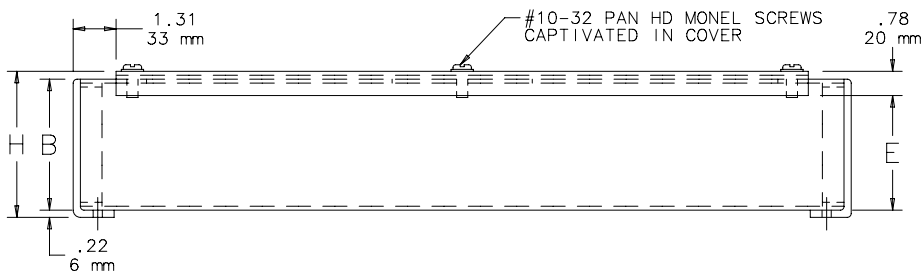
**BULLETIN: F25**

Standard Product

Catalog Number	AxBxC in./mm	Number of Openings	Number of Cover Screws	D in./mm	E in./mm	F in./mm	G in./mm	H in./mm	J in./mm	K in./mm	W in./mm	X in./mm
F4412FG	4.00 x 4.00 x 11.88 102 x 102 x 302	1	4	10.38 264	3.50 89	5.00 127	3.12 79	4.50 114	3.12 79	6.62 168	6.00 152	4.34 110
F4424FG	4.00 x 4.00 x 23.88 102 x 102 x 607	2	6	22.38 568	3.50 89	5.00 127	3.12 79	4.50 114	3.12 79	8.50 216	6.00 152	4.34 110
F4436FG	4.00 x 4.00 x 35.88 102 x 102 x 911	3	8	34.38 873	3.50 89	5.00 127	3.12 79	4.50 114	3.12 79	8.50 216	6.00 152	4.34 110
F4448FG	4.00 x 4.00 x 47.88 102 x 102 x 1216	4	10	46.38 1178	3.50 89	5.00 127	3.12 79	4.50 114	3.12 79	8.50 216	6.00 152	4.34 110
F4460FG	4.00 x 4.00 x 59.88 102 x 102 x 1521	5	12	58.38 1483	3.50 89	5.00 127	3.12 79	4.50 114	3.12 79	8.50 216	6.00 152	4.34 110
F6612FG	6.00 x 6.00 x 11.88 152 x 152 x 302	1	6	10.38 264	5.50 140	7.00 178	5.12 130	6.50 165	5.12 130	6.62 168	8.00 203	6.34 161
F6624FG	6.00 x 6.00 x 23.88 152 x 152 x 607	2	8	22.38 568	5.50 140	7.00 178	5.12 130	6.50 165	5.12 130	8.50 216	8.00 203	6.34 161
F6636FG	6.00 x 6.00 x 35.88 152 x 152 x 911	3	10	34.38 873	5.50 140	7.00 178	5.12 130	6.50 165	5.12 130	8.50 216	8.00 203	6.34 161
F6648FG	6.00 x 6.00 x 47.88 152 x 152 x 1216	4	12	46.38 1178	5.50 140	7.00 178	5.12 130	6.50 165	5.12 130	8.50 216	8.00 203	6.34 161
F6660FG	6.00 x 6.00 x 59.88 152 x 152 x 1521	5	14	58.38 1483	5.50 140	7.00 178	5.12 130	6.50 165	5.12 130	8.50 216	8.00 203	6.34 161



TOP VIEW WITH COVER REMOVED



C2539-C