

## TWO-DOOR WITH FLOOR STANDS, TYPE 4X



### INDUSTRY STANDARDS

UL 508A Listed; Type 3R, 4, 4X, 12; File No. E61997  
 cUL Listed per CSA C22.2 No 94; Type 3R, 4, 4X, 12; File No. E61997

NEMA Type 3, 3R, 4, 4X, 12, 13  
 CSA File No. 42186: Type 4, 4X, 12  
 IEC 60529, IP66  
 Meets NEMA Type 3RX requirements

### APPLICATION

This two-door enclosure provides industry-leading protection for systems incorporating large components or complex mounting configurations in highly corrosive environments. It is typically used in food processing plants, pharmaceutical manufacturing facilities, petrochemical plants, pulp and paper processing and water treatment facilities.

### SPECIFICATIONS

- 12 gauge Type 304 or 316L stainless steel
- Seams continuously welded and ground smooth; no holes or knockouts
- Backs are 10 or 12 gauge stainless steel with x-form stiffeners
- Removable centerpost for easy panel installation
- Panel supports
- Stainless steel screws and clamps on three sides of each door assure water-tight seal
- Rolled lip around entire door opening excludes liquids and contaminants
- Heavy-gauge stainless steel continuous hinge
- Data pocket is high-impact thermoplastic
- 12-in. (305-mm) floor stands are bolted onto enclosure
- Hasp and staple for padlocking
- Seamless foam-in-place gasket provides oil-tight and dust-tight seal against contaminants
- Collar studs provided for mounting optional panels
- External hardware manufactured of Type 316 stainless steel
- Bonding provision on doors; grounding studs on body
- Accessory mounting channel provided in enclosure top
- Type 316L stainless steel lifting eyes

### FINISH

Enclosures are unpainted. Front, sides, top and back have smooth #4 brushed finish. Optional mild steel panels are painted white. Optional conductive panels are available.

### ACCESSORIES

Electric Heater  
 PANELITE Enclosure Lights Overview  
 Panel Support Kit  
 Steel and Stainless Steel Window Kits

### MODIFICATION AND CUSTOMIZATION

Hoffman excels at modifying and customizing products to your specifications. Contact your local Hoffman sales office or distributor for complete information.

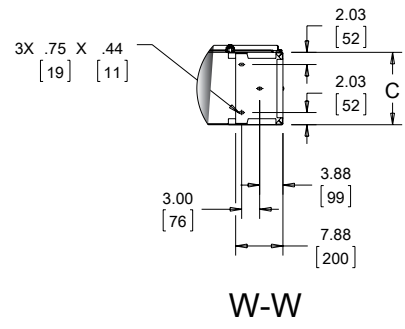
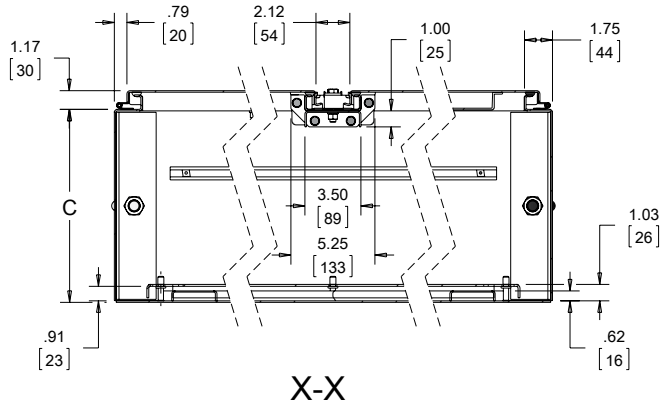
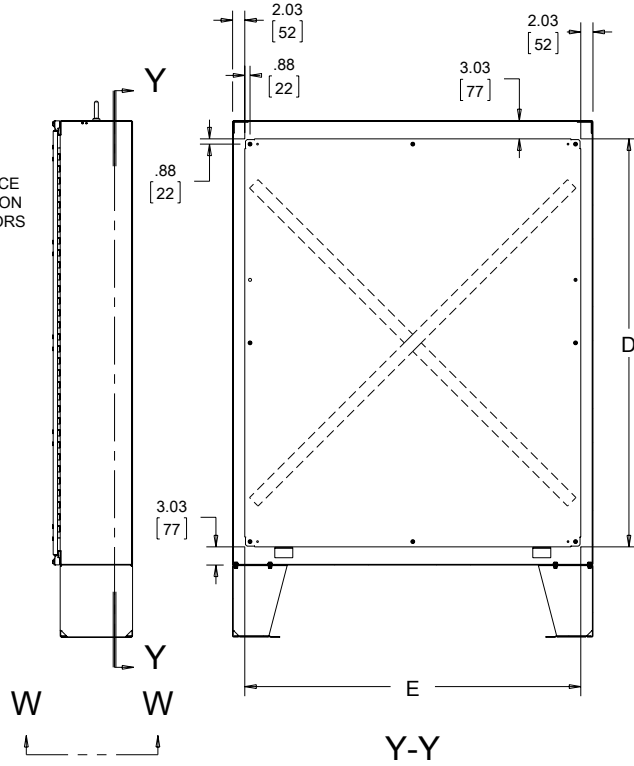
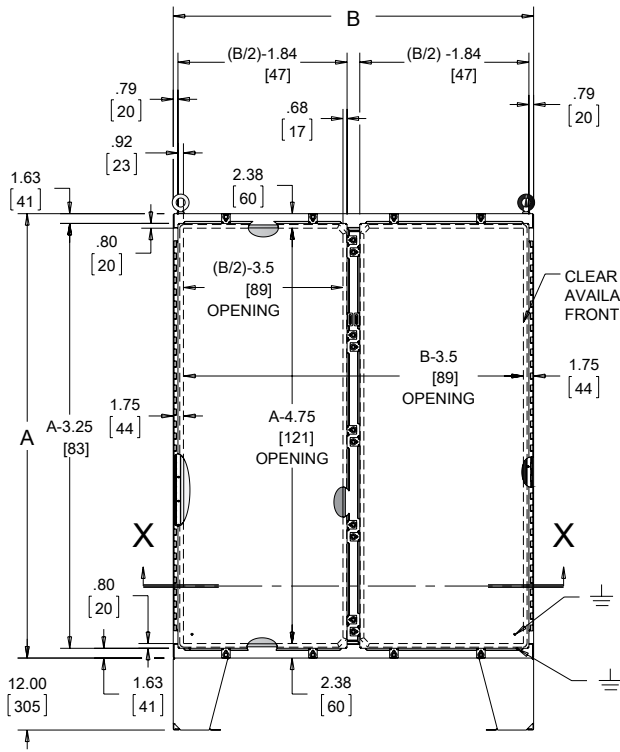
### BULLETIN: A4SL

### Standard Product

Catalog Number	AxBxC in./mm	Stainless Steel Type	Panel	Conductive Panel	Panel Size D x E in./mm	Number of Clamps
A62H4812SSLP	62.06 x 48.06 x 12.06 1576 x 1221 x 306	304	A60P48	A60P48G	56.00 x 44.00 1422 x 1118	16
A62H4812SS6LP	62.06 x 48.06 x 12.06 1576 x 1221 x 306	316L	A60P48	A60P48G	56.00 x 44.00 1422 x 1118	16
A62H6012SSLP	62.06 x 60.06 x 12.06 1576 x 1526 x 306	304	A60P60	A60P60G	56.00 x 56.00 1422 x 1422	16
A62H6012SS6LP	62.06 x 60.06 x 12.06 1576 x 1526 x 306	316L	A60P60	A60P60G	56.00 x 56.00 1422 x 1422	16
A74H6012SSLP	74.06 x 60.06 x 12.06 1881 x 1526 x 306	304	A72P60	A72P60G	68.00 x 56.00 1727 x 1422	18
A74H6012SS6LP	74.06 x 60.06 x 12.06 1881 x 1526 x 306	316L	A72P60	A72P60G	68.00 x 56.00 1727 x 1422	18
A74H7212SSLP	74.06 x 72.06 x 12.09 1881 x 1830 x 307	304	A72P72	A72P72G	68.00 x 68.00 1727 x 1727	18
A74H7212SS6LP	74.06 x 72.06 x 12.09 1881 x 1830 x 307	316L	A72P72	A72P72G	68.00 x 68.00 1727 x 1727	18
A74H7224SSLP	74.06 x 72.06 x 24.09 1881 x 1830 x 612	304	A72P72	A72P72G	68.00 x 68.00 1727 x 1727	18
A74H7224SS6LP	74.06 x 72.06 x 24.09 1881 x 1830 x 612	316L	A72P72	A72P72G	68.00 x 68.00 1727 x 1727	18

Purchase panels separately.

A74H7212SSLP, A74H7212SS6LP, A74H7224SSLP and A74H7224SS6LP have 10 gauge back.



C2543-C