

FREE-STAND DISCONNECT ENCLOSURE, TYPE 1



INDUSTRY STANDARDS

UL508A Listed; Type 1; File No. E61997
cUL Listed per CSA C22.2 No. 14; Type 1; File No. E61997

NEMA/EEMAC Type 1
IEC 60529 IP30

APPLICATION

Free-Stand Disconnect Enclosures, Type 1, are an economical way to protect electrical and electronic equipment in applications that do not require extensive environmental protection.

SPECIFICATIONS

- 14 gauge steel (rear of enclosure is welded 12 gauge for increased stiffness)
- 4-in. high 10 gauge steel integral lifting base
- Modified preferred disconnect cutout
- Heights from 60 in. to 84 in. Usable height inside cabinet 4 in. less than nominal height.
- Sturdy 7 gauge lifting tabs
- Flush doors
- 3-point latch with heavy-duty handle
- Screwdriver defeater in handle on master door
- Padlock provision in handle
- Predrilled holes in lifting base provide bolt-down capability
- Bonding provision on each door
- Studs included for mounting optional panels on threaded bolts
- Optional rack angles mount to top and bottom of front flanges

FINISH

RAL 7035 light gray polyester powder paint inside and outside. Optional panels have white or conductive finish.

ACCESSORIES

Panels for Free-stand, Type 1 Two-Door Enclosures
HF Side-Mount Filter Fans
Compact Axial Fans
PANELITE Enclosure Lights

MODIFICATION AND CUSTOMIZATION

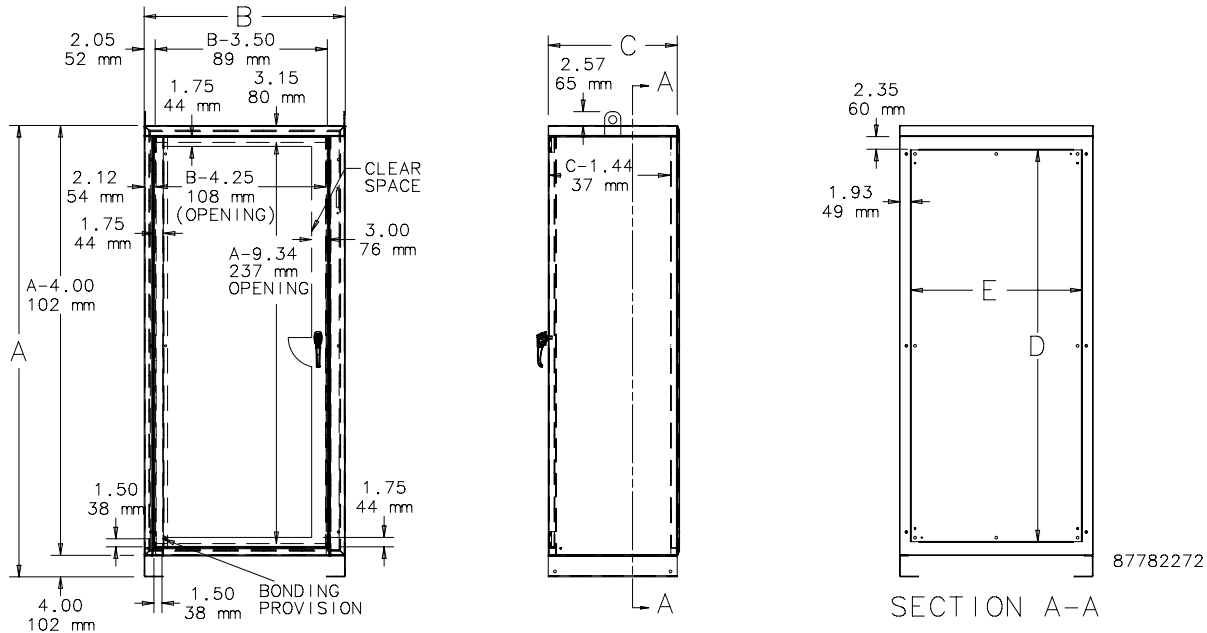
Hoffman excels at modifying and customizing products to your specifications. Contact your local Hoffman sales office or distributor for complete information.

BULLETIN: A38D

Standard Product Free-Stand Type 1 Large One-Door Disconnect Enclosures

Catalog Number	AxBxC in./mm	Panel	Conductive Panel	Panel Size D x E in./mm	Use Rack Angle
A60XN2712FSLP	60.00 x 27.00 x 12.00 1524 x 686 x 305	A49P21N	A49P21NG	49.16 x 21.50 1249 x 546	ARA6019THG
A60XN2718FSLP	60.00 x 27.00 x 18.00 1524 x 686 x 457	A49P21N	A49P21NG	49.16 x 21.50 1249 x 546	ARA6019THG
A60XN2724FSLP	60.00 x 27.00 x 24.00 1524 x 686 x 610	A49P21N	A49P21NG	49.16 x 21.50 1249 x 546	ARA6019THG
A60XN3718FSLP	60.00 x 37.00 x 18.00 1524 x 940 x 457	A49P32N	A49P32NG	49.16 x 32.00 1249 x 813	ARA6019THG
A72XN2718FSLP	72.00 x 26.00 x 18.00 1829 x 660 x 457	A61P21N	A61P21NG	61.16 x 21.50 1553 x 546	ARA7219THG
A72XN3718FSLP	72.00 x 37.00 x 18.00 1829 x 940 x 457	A61P32N	A61P32NG	61.16 x 32.00 1553 x 813	ARA7219THG
A72XN3724FSLP	72.00 x 37.00 x 24.00 1829 x 940 x 610	A61P32N	A61P32NG	61.16 x 32.00 1553 x 813	ARA7219THG
A84XN2718FSLP	84.00 x 26.00 x 18.00 2134 x 660 x 457	A73P21N	A73P21NG	73.16 x 21.50 1858 x 546	ARA8419THG
A84XN3724FSLP	84.00 x 37.00 x 24.00 2134 x 940 x 610	A73P32N	A73P32NG	73.16 x 32.00 1858 x 813	ARA8419THG

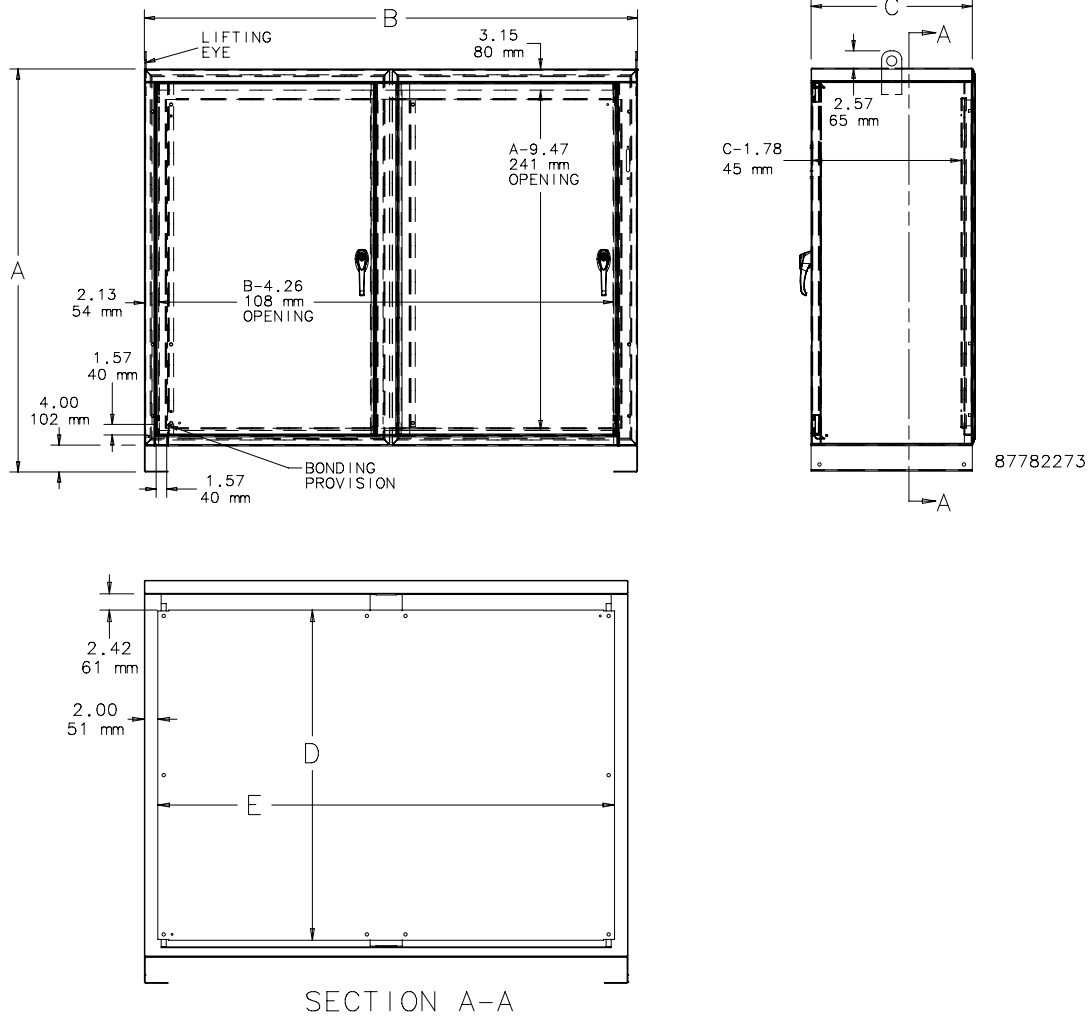
Purchase panels separately.



Standard Product Free-Stand Type 1 Large Two-Door Disconnect Enclosures

Catalog Number	AxBxC in./mm	Panel	Conductive Panel	Panel Size D x E in./mm	Use Rack Angle
A60XN5312FSLP	60.00 x 53.00 x 12.00 1524 x 1346 x 305	A49P48N	A49P48NG	49.16 x 48.00 1249 x 1219	ARA6019THG
A60XN5318FSLP	60.00 x 53.00 x 18.00 1524 x 1346 x 457	A49P48N	A49P48NG	49.16 x 48.00 1249 x 1219	ARA6019THG
A60XN7324FSLP	60.00 x 73.00 x 24.00 1524 x 1854 x 610	A49P68N	A49P68NG	49.16 x 68.00 1249 x 1727	ARA6019THG
A72XN7318FSLP	72.00 x 73.00 x 18.00 1829 x 1854 x 457	A61P68N	A61P68NG	61.16 x 68.00 1553 x 1727	ARA7219THG
A72XN7324FSLP	72.00 x 73.00 x 24.00 1829 x 1854 x 610	A61P68N	A61P68NG	61.16 x 68.00 1553 x 1727	ARA7219THG
A84XN7318FSLP	84.00 x 73.00 x 18.00 2134 x 1854 x 457	A73P68N	A73P68NG	73.16 x 68.00 1858 x 1727	ARA8419THG
A84XN7324FSLP	84.00 x 73.00 x 24.00 2134 x 1854 x 610	A73P68N	A73P68NG	73.16 x 68.00 1858 x 1727	ARA8419THG

Purchase panels separately.



DISCONNECT MOUNTING SPACE

Disconnect is located 11.62 in. from outside top of enclosure. Wiring space is available when disconnect is installed in the enclosure.

See *Technical Information* section for wire bend space.

Refer to **NATIONAL ELECTRICAL CODE, 2005** article 430-10(b) for wiring space required for line side conductors to be connected to disconnect. **Verify your application to determine whether wiring space is adequate.**

Consult Space Occupied by Disconnect drawing to determine whether the disconnect device you are using will fit the enclosure size you have selected.

GASKET KITS

Apply self-adhesive strip gaskets for gasketed NEMA 1 solution. Each kit includes sufficient gasket for any one- or two-door enclosure. Choose kit by number of doors.

BULLETIN: A38P

Catalog Number	Description
A38GSKT	For one-door enclosures
A38GSKT2	For two-door enclosures

PREFERRED-CUTOUT OVERVIEW



APPLICATION

Enclosures having the preferred cutout are sized for use with up to 200A disconnect switches and up to 400A circuit breakers unless otherwise specified. The preferred cutout accepts the smaller operating handle whose mounting hole centers are 4.688 in. apart. Preferred cutouts are standard in mild steel wall-mount enclosures, modular enclosures and some select large mild steel enclosures. They are also present on all standard stainless steel offerings. 400 A (or greater) disconnect switches and 600 A (or greater) circuit breakers require the "Large" or "High Amp" cutout. This cutout accepts the larger operating handle whose mounting hole centers are 6.500-in. apart. This large cutout is only available on PROLINE-DD Disconnect Packages and Type 1 Free-Stand Enclosures.

Operator adapter for preferred cutouts must be ordered separately to be used with A21S, A28S4, A4S and WS2D enclosures. Preferred cutouts are designed to house the following:

Allen-Bradley

- Bulletin 1494U universal disconnect switches with flange-mount handles for either variable-depth or cable-operated mechanisms

- Bulletin 1494V disconnect switches with flange-mount variable-depth operating mechanisms and Bulletin 1494V flange-mount variable-depth operating mechanisms for circuit breakers
 - Bulletin 140U flexible cable operating mechanisms for 140U molded case circuit breakers
 - Bulletin 140G flexible cable and variable-depth, flange-mount, molded case circuit breakers
 - Bulletin 1494C cable-operated disconnect switches with flange-mount handles
 - Bulletin 194RC cable-operated flange-mount handles for use with the NFPA 79 compliant 194R IEC rotary disconnect switches
- Allen-Bradley Bulletin 1494V-R1, -R2 and -W2 operating handles and Allen-Bradley Bulletin 1494F disconnect devices or Bulletin 1494D circuit breaker operators will NOT fit these enclosures.**

ABB Controls flange-mount variable-depth operating mechanisms for disconnect switches and circuit breakers. Also the cable version for circuit breakers.

Eaton Cutler-Hammer Type C361 flange-mount variable-depth operating mechanisms with disconnect switches and Type C371 flange-mount variable-depth operating mechanisms for circuit breakers.

General Electric Type STDA flange handles and variable-depth operating mechanisms for disconnect switches and circuit breakers. Also SPECTRAFLEX cable operators for circuit breakers.

Siemens ITE MAX FLEX® flange-mount variable-depth operating handles for circuit breakers.

Schneider Square D® Class 9422 disconnect switches with flange-mount variable-depth operating mechanisms or cable mechanisms and Class 9422 flange-mount variable-depth operating mechanisms or cable mechanisms for circuit breakers.

These enclosures will NOT accept Square D Class 9422 bracket-mounted disconnect devices, Class 9422TG1 or TG2 devices.

ORDERING

Order the disconnect switch, operating handle and operating mechanism separately. See Technical Information in the Hoffman Specifier's Guide for wire bend space available when various manufacturers' disconnect switches are installed. Check the enclosure dimension drawings to verify the chosen disconnect switch will fit in the enclosure.