

ALLEN-BRADLEY™ 1494 CUTOUT DISCONNECT ENCLOSURE, TYPE 12

INDUSTRY STANDARDS

UL 508A Listed; Type 12, 13; File No. E61997
 cUL Listed per CSA C22.2 No. 94; Type 12, 13; File No. E61997

NEMA/EEMAC Type 12, 13
 CSA File No. 42186: Type 12
 IEC 60529, IP65

APPLICATION

These enclosures house Allen-Bradley™ Bulletin 1494F flange-mount disconnect switches and Bulletin 1494D flange-mount operators for circuit breakers.

Furnished with Enclosure

1. Guide bracket(s) and door catch welded to door
2. Locking bar(s) for door hardware
3. Spacers and screws to support disconnect to panel
4. Instructions to locate and install disconnects

SPECIFICATIONS

- 14 gauge steel
- Seams continuously welded and ground smooth
- External mounting brackets
- External-formed flange around all sides of enclosure opening
- Removable door with continuous hinge
- Type 12 rated door gasket
- Collar studs provided for mounting optional panels
- Holes provided in body and door for mounting disconnect switch, operating mechanism and door hardware
- Data pocket is high impact thermoplastic
- Guide bracket(s) and door catch welded to door
- Includes locking bar(s) for door hardware, spacers and screws to support disconnect panel, and instructions for installing disconnects

FINISH

White inside with ANSI 61 gray outside finish.

ACCESSORIES

See also Accessories.

Blank Adapter Plates, Mild Steel

Electric Heater

Compact Cooling Fans

PANELITE™ Enclosure Lights Overview

Panels for Type 3R, 4, 4X, 12 and 13 Enclosures

Steel and Stainless Steel Window Kits

MODIFICATION AND CUSTOMIZATION

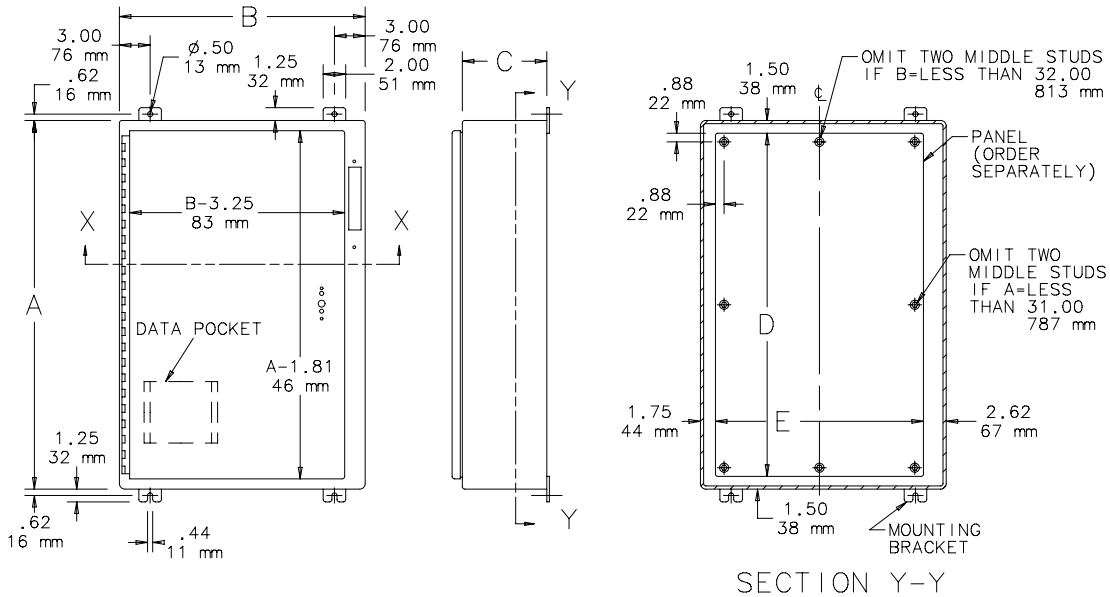
Hoffman excels at modifying and customizing products to your specifications. Contact your local Hoffman sales office or distributor for complete information.

BULLETIN: A22

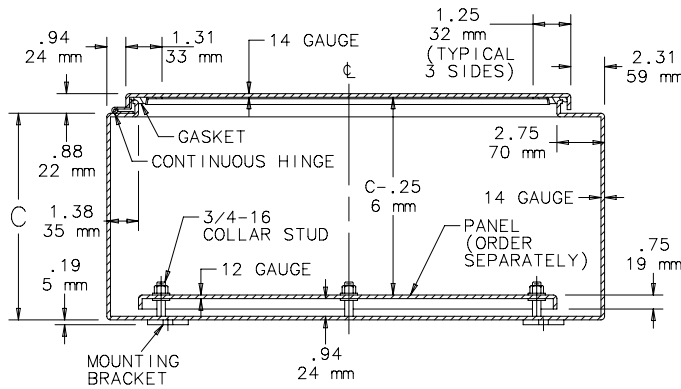
Standard Product

Catalog Number	AxBxC in./mm	Panel	Conductive Panel	Panel Size D x E in./mm	Data Pocket Size in./mm
A24AB2210LP	24.00 x 21.38 x 10.00 610 x 543 x 254	A24P20	A24P20G	21.00 x 17.00 533 x 432	6.00 x 6.00 152 x 152
A24AB2610LP	24.00 x 25.38 x 10.00 610 x 645 x 254	A24P24	A24P24G	21.00 x 21.00 533 x 533	6.00 x 6.00 152 x 152
A30AB2210LP	30.00 x 21.38 x 10.00 762 x 543 x 254	A30P20	A30P20G	27.00 x 17.00 686 x 432	6.00 x 6.00 152 x 152
A30AB2610LP	30.00 x 25.38 x 10.00 762 x 645 x 254	A30P24	A30P24G	27.00 x 21.00 686 x 533	12.00 x 12.00 305 x 305
A36AB2610LP	36.00 x 25.38 x 10.00 914 x 645 x 254	A36P24	A36P24G	33.00 x 21.00 838 x 533	12.00 x 12.00 305 x 305
A36AB3210LP	36.00 x 31.38 x 10.00 914 x 797 x 254	A36P30	A36P30G	33.00 x 27.00 838 x 686	12.00 x 12.00 305 x 305
A42AB3210LP	42.00 x 31.38 x 10.00 1067 x 797 x 254	A42P30	A42P30G	39.00 x 27.00 991 x 686	6.00 x 6.00 152 x 152
A42AB3810LP	42.00 x 37.38 x 10.00 1067 x 949 x 254	A42P36	A42P36G	39.00 x 33.00 991 x 838	12.00 x 12.00 305 x 305
A48AB3810LP	48.00 x 37.38 x 10.00 1219 x 949 x 254	A48P36	A48P36G	45.00 x 33.00 1143 x 838	12.00 x 12.00 305 x 305
A60AB3810LP	60.00 x 37.38 x 10.00 1524 x 949 x 254	A60P36	A60P36G	57.00 x 33.00 1448 x 838	12.00 x 12.00 305 x 305
A36AB3212LP	36.00 x 31.38 x 12.00 914 x 797 x 305	A36P30	A36P30G	33.00 x 27.00 838 x 686	12.00 x 12.00 305 x 305
A42AB3212LP	42.00 x 31.38 x 12.00 1067 x 797 x 305	A42P30	A42P30G	39.00 x 27.00 991 x 686	6.00 x 6.00 152 x 152
A42AB3812LP	42.00 x 37.38 x 12.00 1067 x 949 x 305	A42P36	A42P36G	39.00 x 33.00 991 x 838	12.00 x 12.00 305 x 305
A48AB3812LP	48.00 x 37.38 x 12.00 1219 x 949 x 305	A48P36	A48P36G	45.00 x 33.00 1143 x 838	12.00 x 12.00 305 x 305
A60AB3812LP	60.00 x 37.38 x 12.00 1524 x 949 x 305	A60P36	A60P36G	57.00 x 33.00 1448 x 838	12.00 x 12.00 305 x 305
A48AB3816LP	48.00 x 37.38 x 16.00 1219 x 949 x 406	A48P36	A48P36G	45.00 x 33.00 1143 x 838	12.00 x 12.00 305 x 305
A60AB3816LP	60.00 x 37.38 x 16.00 1524 x 949 x 406	A60P36	A60P36G	57.00 x 33.00 1448 x 838	12.00 x 12.00 305 x 305

Purchase panels separately.



SECTION Y-Y



SECTION X-X

C2514-C

DISCONNECT MOUNTING SPACE

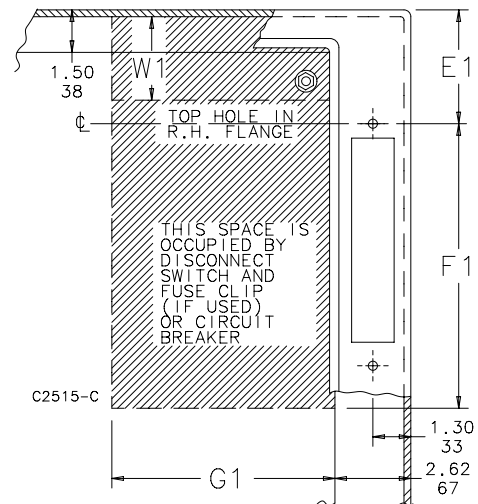
Disconnects will occupy space on panel shown by dimensions E1, F1 and G1. Wiring space W1 is available when disconnect is installed in the enclosure.

- E1 = 6.75 in. (171 mm) when C = 10.00 in. (254 mm)
- E1 = 9.50 in. (241 mm) when C = 12.00 in. (305 mm) except enclosures for 200 A switches)
- E1 = 9.50 in. (241 mm) when C = 16.00 in. (406 mm)
- W1 = Wiring Space

Refer to **NATIONAL ELECTRICAL CODE, 2005** article 430-10(b) for wiring space required for line side conductors to be connected to disconnect.

Verify your application to determine if wiring space is adequate.

Consult Space Occupied by Disconnect drawing to determine whether the disconnect device you are using will fit the enclosure size you have selected.



Consult disconnect manufacturer or see Disconnect Ordering Information at hoffmanonline.com under Technical Resources for F1 and G1 dimensions of various brands of disconnects.

FIXED-DEPTH ALLEN-BRADLEY CUTOUT OVERVIEW**APPLICATION**

Enclosures having the "Allen-Bradley" cutout are ONLY compatible with fixed-depth Allen-Bradley devices up to 1494F Series C. This cutout is ONLY found on A22 Enclosures and on adapter plates in the A21ABA Adapter Kit.

ORDERING

The disconnect switch, operating handle, and operating mechanism must be ordered separately. See Technical Information in the Hoffman Specifier's Guide for wire bend space available, or Disconnect Ordering Information at hoffmanonline.com for disconnect ordering guidelines and wire bend space available. Check the enclosure dimension drawings to make sure the chosen disconnect switch will fit in the enclosure.

A complete assembly consists of:

1. An enclosure
2. Guide bracket(s) and door catch welded to door
3. Locking bar(s) for door hardware
4. Spacers and screws to support disconnect to panel
5. Instructions to locate and install disconnects