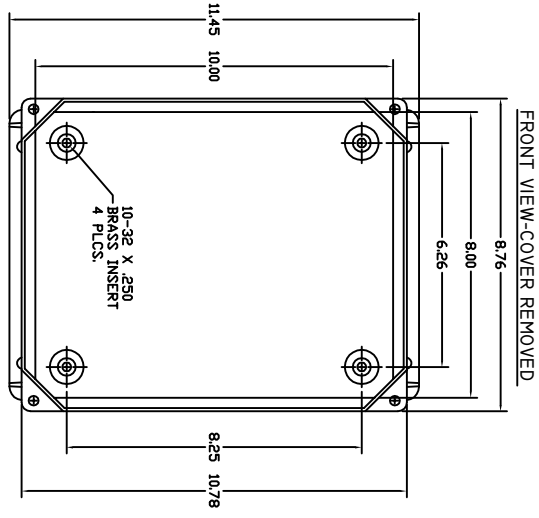
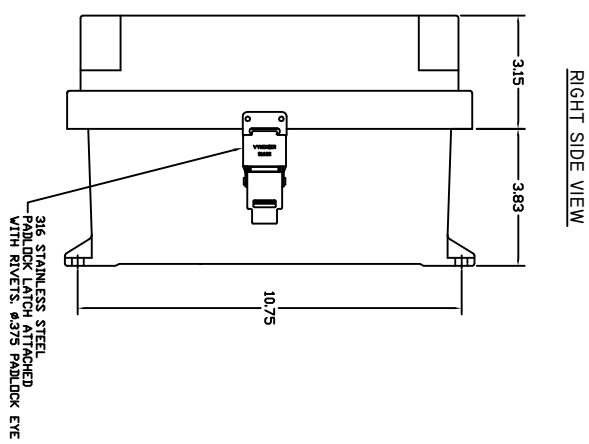
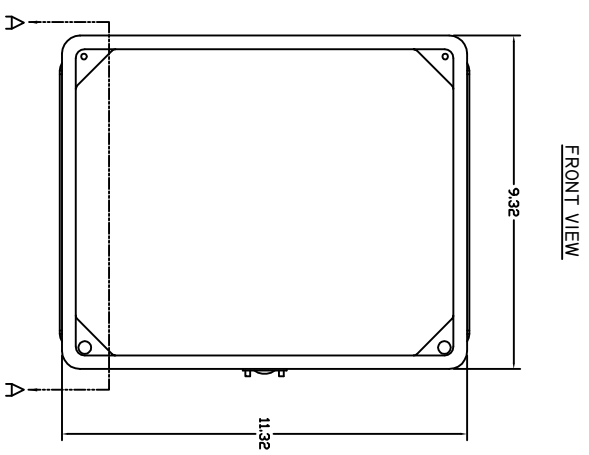
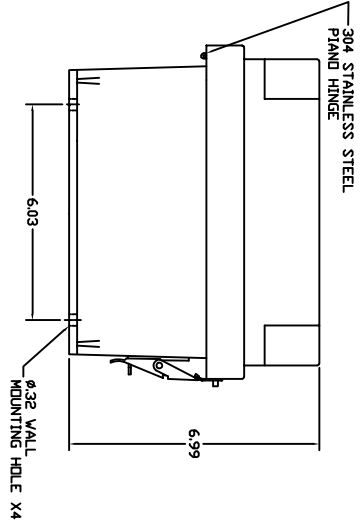


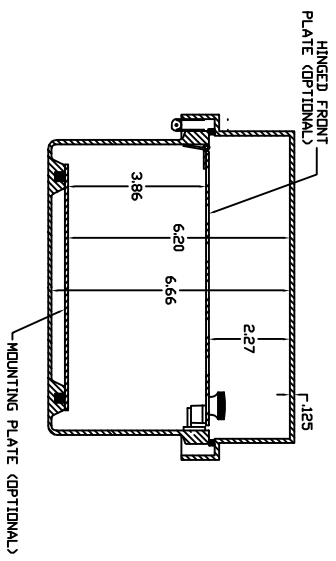
REVISIONS		DATE	APPROVED
ZONE	REV	DESCRIPTION	



END VIEW



SECTION A-A



- NOTES:
- ENCLOSURE MATERIAL MADE OF GRAY (RAL 7036) HOT MOLDED FIBERGLASS REINFORCED POLYESTER.
 - U.L. LISTED PER STD. 508. (FILE# E54315)
 - CSA CERTIFIED PER STD. C22.2 NO. 94. (FILE# LR36508)
 - NEMA RATED TYPE 3, 3R, 3S, 4, 4X, 12 AND 13.
 - IEC 529 RATED IP 00
 - RESISTANT TO TEMPERATURES UP TO 150 DEG C.
 - SELF EXTINGUISHING AND HALOGEN FREE.
 - ACCESSORIES INCLUDING: BACK PANELS, HINGE ABLE FRONT PLATES, HINGED COVERS, PRINT POCKET, LATCHES, WINDOWS, AND VENTILATORS.
 - CABINETS ARE MAINTENANCE FREE AND CORROSION RESISTANT.

VYNCKIER ENCLOSURE SYSTEMS LTDS.		VJ SERIES ENCLOSURE VYNCKIER PART # RVJ1008HWPL1	
DRAWN: [Name] CHECKED: [Name] DESIGN: [Name]	DATE: 2/19/01	REV: RVJ1008HWPL1	SHEET: 1 OF 1