

APPLICATION and PERFORMANCE SPECIFICATION

Description: High frequency dimming electronic ballast for (3) F32T8 or (3) F31T8/U lamps.

- Line Voltage: 277vac, ±10%, 60Hz
- Series Lamp Operation
- Rapid Start
- Active Power Factor Correction

Ballast Voltage	Lamp		Input Watts	Nominal Line Amps	Power Factor	Ballast Factor	Ballast Efficacy Factor	Harmonic Total	Crest Factor
	Type	#							
277	F32T8@100%	3	94	0.34	>.99	.88	0.94	< 10%	<1.7
277	F32T8@60%	3	69	0.26	>.95	.60	0.87	< 10%	<1.7
277	F32T8@30%	3	43	0.16	>.95	.30	0.70	< 10%	<1.7

Application and Performance Specification Information Subject to Change without Notification.

Performance:

- Meets ANSI Standard C82.11-1993
- Meets ANSI Standard C62.41-1991
- Meets FCC Part 18 (Class A) for EMI and RFI Non-Consumer Limits

Safety:

- No PCB's
- cULus listed (Class P, Type 1 Outdoor)

Application:

- Minimum Starting Temperature: 50° F, 10° C
- Maximum Ambient Temperature: 105° F, 40° C
- Sound Rated: A
- Compatible with "Powerline Carrier"(PLC) Systems and/or infrared systems
- Dimming Range: Step; 100%, or 60%, or 30% light output
- Remote Mounting: 12 ft.

Physical Parameters:

- Length: 9.50"
- Width: 2.40"
- Height: 1.55"
- Weight: 2.30 lbs.
- Carton Qty: 10
- Lead Length: White, Black 25" (± 1")
Black/White 25" (± 1")
Red, Blue 36" (± 1")
Red/White, Yellow 36" (± 1")

Warranty:

Universal Lighting Technologies warrants to the purchaser that each electronic ballast will be free from defects in material or workmanship for a period of 5 years from date of manufacture when properly installed and under normal conditions of use. Call **1-800-BALLASTx800** for technical assistance.

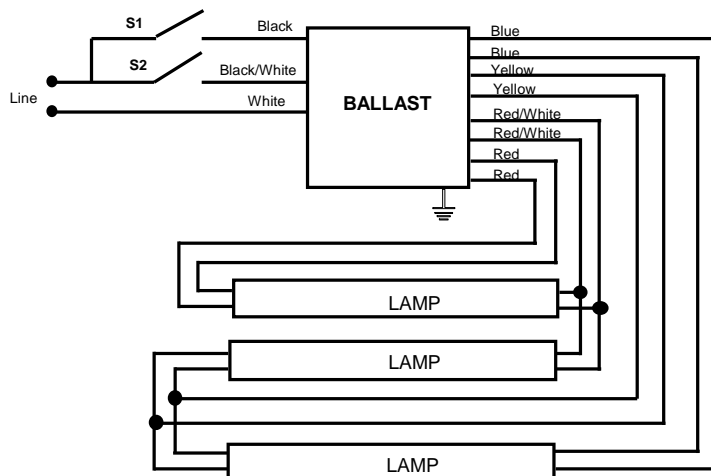
Dimming Control :

Two(2) WALL SWITCHES or RELAYS:

- S1(black) **ON** and S2 Off = 60%
- S2(black/white) **ON** and S1 Off = 30%
- S1 and S2 **ON** = 100%

* Products manufactured with a date code later than 1626 are not to be installed in California per CEC Title 20.

IMPORTANT: S1 & S2 MUST BE WIRED ON SAME PHASE OF CIRCUIT



Manufactured in North America

**Ballast Case
Must be
Grounded**