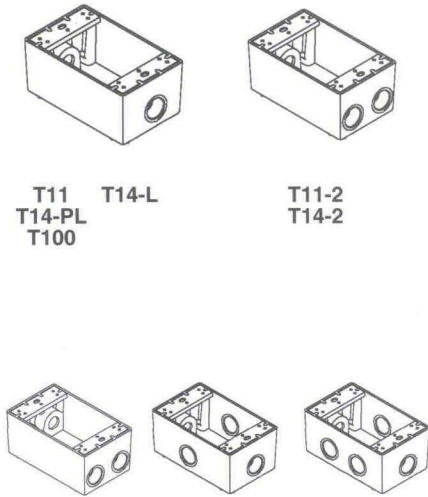


### One Gang Outlet Boxes

Cat. No.	Cubic In.	No. of Outlet Holes	Description				Std. Ctn.
			Outlet Hole Dia.	Mounting Methods	Finish		
T11	18.0	3	½"	Knockouts	Gray	25	
T11-BR	18.0	3	½"	Knockouts	Bronze	25	
T11WH	18.0	3	½"	Knockouts	White	25	
T14-PL	18.0	3	¾"	Knockouts	Gray	25	
T14-L	17.0	3	1"	Knockouts/Lugs	Gray	25	
T100	17.4	4	½"	Knockouts/Lugs	Gray	25	
T11-2	17.4	4	¾"	Knockouts/Lugs	Gray	10	
T14-2	16.8	5	½"	Knockouts/Lugs	Gray	25	
T11-22	16.8	5	¾"	Knockouts/Lugs	Gray	25	
T14-22	18.0	5	½"	Knockouts/Lugs	Gray	25	
TX11-5	16.8	5	¾"	Knockouts/Lugs	Gray	25	
TX11-6	18.0	6	½"	Knockouts/Lugs	Gray	25	
TX14-5	16.8	5	¾"	Knockouts/Lugs	Gray	25	
TX14-6	16.8	6	¾"	Knockouts/Lugs	Gray	25	

U.L. Listed E-18407  
 CSA Certified LR-18685



T11-22      TX11-5      TX11-6  
 T14-22      TX14-5      TX14-6

- Heavy duty die cast aluminum construction
- Accurately threaded mounting plate
- Powder Coat finish in silver gray, bronze or white
- Boxes supplied with two closure plugs and tapped ground screw location
- #10-32 self-tapping ground screw

One Gang Boxes

