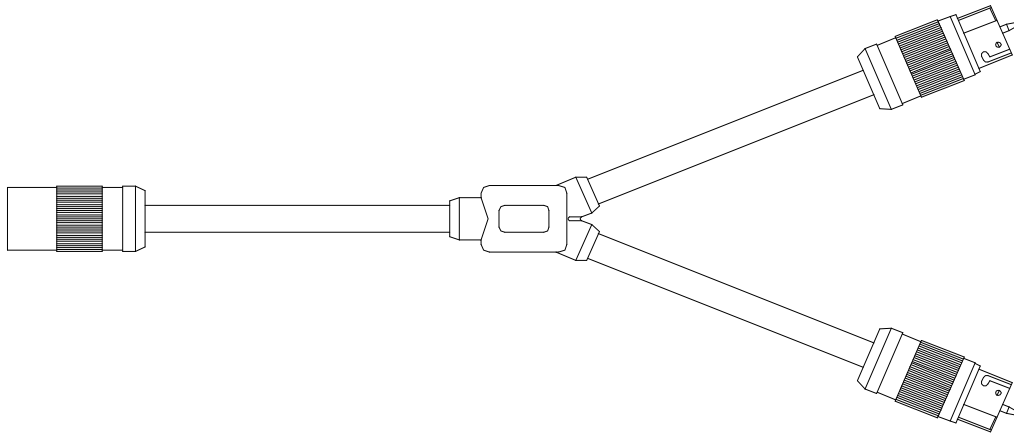




CATALOG NUMBER: 19200008
DESCRIPTION: 6/4 SEOWW, 125/250V 50A "Y" adapter with "California Standard" twist-to-lock plug and cord connectors.
CASE QTY: 1 **UPC:** 0 29892 21920 8

CONSTRUCTION PARAMETERS:

Conductors: (4) 6 AWG, 7x19/27 bare copper
 Jacket material: TPE, black
 Overall cable O.D. (nom): 1.08"



CS6365N

Plug and "Y" block style may vary

CS6364N

Cord length: Each leg is 18" long
 Plug and connector manufacturer: Marinco Power Products
 Plug and connector materials: Nylon body and backshell
 Neoprene cord gasket
 Stainless steel plug shroud with rigid vinyl sleeve
 Brass cord connector ground contact
 Plug and connector configuration: 50A 125/250V 3 pole 4 wire grounding,
 non-NEMA "California Standard"
 "Y" junction block: Molded PVC, black

PROPERTIES:

Temperature rating of cable: -50 to +105 deg C
 Electrical ratings: 125/250 VAC, 50A

The information presented here is, to the best of our knowledge, true and accurate. However, since conditions of use are beyond our control, all recommendations or suggestions are presented without guarantee or responsibility on our part.

We disclaim all liability in connection with the use of information contained herein or otherwise.

This specification is the proprietary intellectual property of Southwire Company, LLC. Any information contained herein shall not be disclosed to any party without the written consent of Southwire Company, LLC.