

Products

- › Index
- › Featured Products
- › Cross Reference
- › UPC Search

Product Datasheet

[Catalog Home](#) [Home Page](#)

[Search](#)

1406 -- Plastic Bushing 1-1/2" Trade Size



Product Specifications

Family	Rigid and IMC Fittings
Fittings Classification	Plastic Bushings
Trade Size	1-1/2"
Standard Packaging	Carton
Ship Carton Length	6.25
Ship Carton Width	4.5
Ship Carton Height	4.25
WT. PER HU.	2.4
Dimension A	2-3/16"
Dimension B	1-35/64"
Thread Spec. C	1-1/2-11-1/2 NPT
Dimension D	9/16"
Unit Carton Quantity	25
Ship Carton Quantity	25
UPC Number	050169014066
Product UPC-A Labeled	Yes
Catalog PDF Page	PDF Catalog Page

Applications

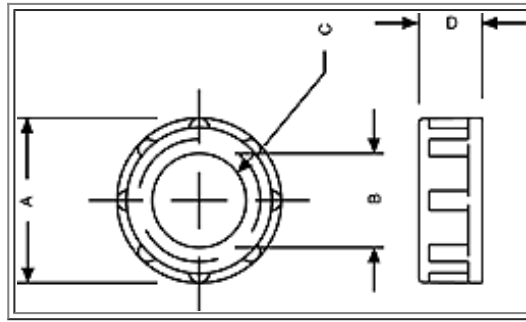
- For use on threaded rigid/IMC conduit
- Bushings provide a smoothly rounded surface at the entrance of raceways

Product Features

- Insulating bushings are made of high impact polypropylene that is temperature rated at 105° C

[Compliances](#)

UL CSA



[Login](#) | [Privacy](#) | [Site Map](#)