

Products

- › Index
- › Featured Products
- › Cross Reference
- › UPC Search

Product Datasheet

[Catalog Home](#) [Home Page](#)

[Search](#)

1403 -- Plastic Bushing 3/4" Trade Size



Product Specifications

Family	Rigid and IMC Fittings
Fittings Classification	Plastic Bushings
Trade Size	3/4"
Standard Packaging	Carton
Ship Carton Length	9.875
Ship Carton Width	7.375
Ship Carton Height	9.00
WT. PER HU.	0.9
Dimension A	1-9/32"
Dimension B	51/64"
Thread Spec. C	3/4-14 NPT
Dimension D	25/64"
Unit Carton Quantity	100
Ship Carton Quantity	400
UPC Number	050169014035
Product UPC-A Labeled	Yes
Catalog PDF Page	PDF Catalog Page

Applications

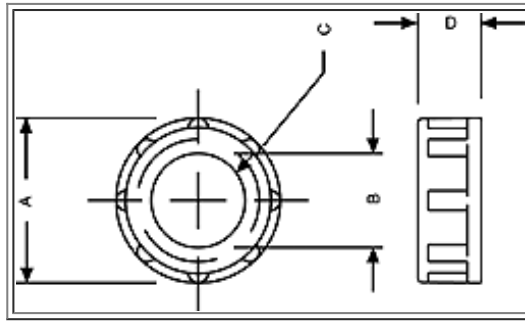
- For use on threaded rigid/IMC conduit
- Bushings provide a smoothly rounded surface at the entrance of raceways

Product Features

- Insulating bushings are made of high impact polypropylene that is temperature rated at 105° C

[Compliances](#)

UL CSA



[Login](#) | [Privacy](#) | [Site Map](#)