



Color: Bronze

Weight: 15.7 lbs

**Project:**

**Type:**

**Prepared By:**

**Date:**

### Lamp Info

Type	ED17
Watts	70W
Shape/Size	N/A
Base	N/A
ANSI	N/A
Hours	24,000
Lamp Lumens	6,400
Efficacy	70.3 lm/W

### Ballast Info

Type	HX-HPF QT
120V	.8/.9A
208V	.5/.5A
240V	.4/.4A
277V	.4/.4A
Input Watts	91W

## Technical Specifications

### Compliance

#### UL Listed:

Suitable for wet locations. HID fixtures can be wired with 90°C supply wiring if supply wires are routed 3" away from the ballast.

### Construction

#### Housing:

Die-cast aluminum, 1/2" NPS tapped holes top, both sides and back for conduit or photocontrol. Hinged refractor frame. Continuous silicone rubber gasket.

#### Reflector:

Specular anodized aluminum, removable for installation. Symmetrical light pattern maximizes distance between fixtures.

### Cutoff Lens:

Tempered glass

### Finish:

Formulated for high durability and long-lasting color

### Optical

#### Refractor:

Prismatic optics designed to minimize glare and throw light down and out. Heat resistant borosilicate glass.

### Electrical

#### Quad Tap:

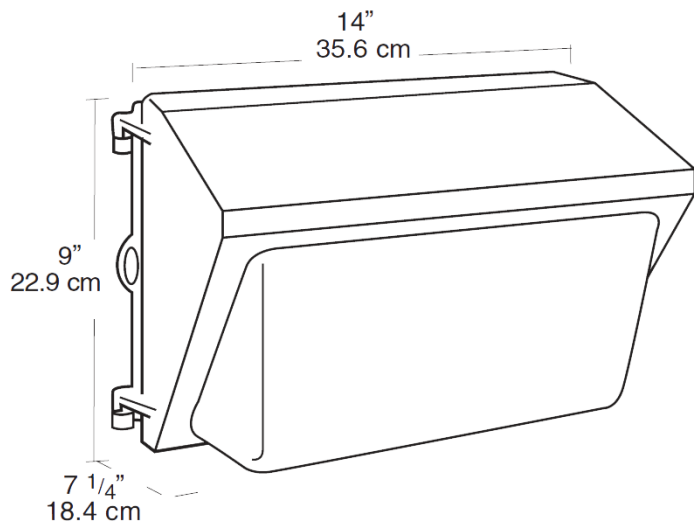
Fixture works with 120, 208, 240 and 277 Volts

### Other

#### Buy American Act Compliance:

RAB values USA manufacturing! Upon request, RAB may be able to manufacture this product to be compliant with the Buy American Act (BAA). Please contact customer service to request a quote for the product to be made BAA compliant.

## Dimensions



## Features

- Precision die cast aluminum housing with durable polyester powder coating
- Tempered Glass Refractor and Tempered Glass Lens
- Drilling template for easy box mounting
- Silicone gasket remains in place during relamping
- Top, side and back conduit openings
- Cutoff Glare Shield for Friendly Lighting
- Long life lamp included