



Cast aluminum housing for 50, 70 & 100 Watt HPS and MH. Prismatic globe for low glare and even light distribution. Fixture mounts to junction box or can be wired inside the housing. Ceiling mounted with 1/2" NPS(or 3/4") side and top conduit feed. Lamp supplied.

Color: Natural

Weight: 14.7 lbs

**Project:**

**Type:**

**Prepared By:**

**Date:**

### Lamp Info

|             |           |
|-------------|-----------|
| Type        | ED17      |
| Watts       | 100W      |
| Shape/Size  | N/A       |
| Base        | N/A       |
| ANSI        | N/A       |
| Hours       | 15,000    |
| Lamp Lumens | 9,000     |
| Efficacy    | 69.8 lm/W |

### Ballast Info

|             |           |
|-------------|-----------|
| Type        | HX-HPF QT |
| 120V        | 1.2/1.2A  |
| 208V        | .7/.7A    |
| 240V        | .6/.6A    |
| 277V        | .5/.5A    |
| Input Watts | 129W      |

## Technical Specifications

### Compliance

#### UL Listed:

Suitable for wet locations. Complies with UL Standard 1598 for non-hazardous locations where the lamp, socket and wiring require protection from air, corrosive fumes, non-combustible dusts, moisture, non-explosive vapors and gases. For lamp base up installation only when outdoors.

#### EISA 2007 Compliant:

This product complies with the new law for metal halide ballast efficiency. This law goes into effect January 1st, 2008. Pulse Start offers Longer Lamp Life, Faster Startup and Faster Restrike.

### Construction

#### Globes:

Clear prismatic, heat resistant glass standard. White glass globes available. Colored and clear unbreakable RAB Permaglobes available for CFL only.

### Optional Reflectors:

Highly reflective white baked polyester epoxy powder finish over a heavy gauge aluminum base. Reflectors thread onto fixtures.

#### Construction:

Die cast aluminum with stainless steel screws

#### Guard:

One piece die cast aluminum with set screw

### Electrical

#### Socket:

HID Glazed porcelain 4kv pulse rated with nickel plated screw shell and spring contacts. CFL White thermo plastic with integral clips for lamp retention.

#### Quad Tap:

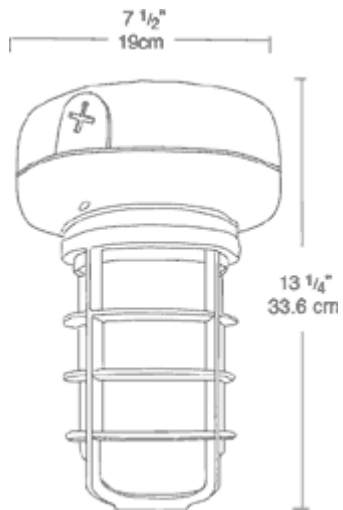
Fixture works with 120, 208, 240 and 277 Volts

### Other

#### Buy American Act Compliance:

RAB values USA manufacturing! Upon request, RAB may be able to manufacture this product to be compliant with the Buy American Act (BAA). Please contact customer service to request a quote for the product to be made BAA compliant.

## Dimensions



## Features

- weatherproof ballast box
- Die cast aluminum for superior durability
- All stainless steel hardware
- Set screw keeps guard securely in place
- Close-up plugs allow Phillips or slotted screwdrivers for easy installation
- High temperature silicone internal gaskets
- Ballast housing mounts to any junction box