



Large size ceiling mount fixture. Vertical lamp HID. Adjustable, 4-way glare guard & "No Bend" conduit entrance. Excellent heat control eliminates heat problems. Housing is die cast aluminum with clear vandalproof polycarbonate refractor. Lamps supplied.

Color: N/A

Weight: 16.0 lbs

<b>Project:</b>	<b>Type:</b>
<b>Prepared By:</b>	<b>Date:</b>

Lamp Info		Ballast Info	
Type:	ED17	Type:	HX-HPF QT
Watts:	100W	120V:	1.3/1.2A
Shape/Size:	N/A	208V:	.8/.7A
Base:	N/A	240V:	.7/.6A
ANSI:	N/A	277V:	.6/.5A
Hours:	24,000	Input Watts:	130W
Lamp Lumens:	9,500	Efficiency:	77%
Efficacy:	73 LPW		

## Technical Specifications

### Listings

#### UL Listing:

Suitable for wet locations. Fixtures can be wired with 90°C supply wiring if supply wires are routed 3" away from ballast.

### Electrical

#### Sockets:

Medium base 4kv Pulse Rated Glazed porcelain.

#### HID Quartz restrike:

Add suffix "/QR" to Van3 (50w restrike) or Van5 (100w restrike) for HOT restrike. Provides immediate illumination in case of momentary power failure.

#### Quad Tap:

Fixture works with 120, 208, 240 and 277 Volts.

### Optical

#### Refractor:

Injection molded polycarbonate, designed for maximum structural strength.

### Construction

#### Housings:

Die cast aluminum with powder coat bronze or white finish.

#### Screws:

Tamperproof center pin Torx-head and slotted Phillips head stainless steel screws provided. Be sure to order your Torx screwdriver (Catalog # VANDRIVER).

#### Reflectors / Backplate:

Heavy gauge cold rolled steel with high reflectance baked white enamel.

### Other

#### Patents:

The unique RAB VAN5 is protected by U.S. Patent D547,484; China Patent ZL200630133218.0; Taiwan Patent D121,295 and Canada Patent D115,523.

#### Country of Origin:

Designed by RAB in New Jersey and assembled in the USA by RAB's IBEW Local 3 workers.

#### Buy American Act Compliant:

This product is a COTS item manufactured in the United States, and is compliant with the Buy American Act.

#### Recovery Act (ARRA) Compliant:

This product complies with the 52.225-21 "Required Use of American Iron, Steel, and Manufactured Goods-- Buy American Act-- Construction Materials (October 2010).

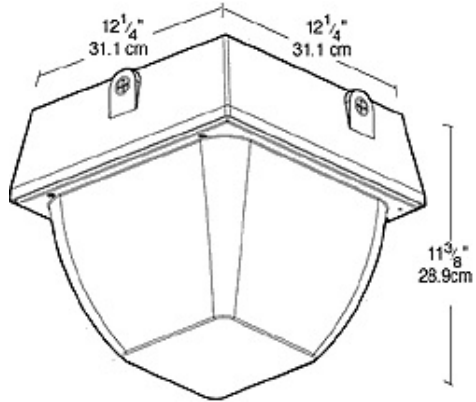
#### Trade Agreements Act Compliant:

This product is a COTS item manufactured in the United States, and is compliant with the Trade Agreements Act.

#### GSA Schedule:

Suitable in accordance with FAR Subpart 25.4.

## Dimensions



## Features

- Vertical lamp for better light disbursement and heat dissipation
- Adjustable 4 way Glare Guard
- Glare Stopper shield, Vandal proof Center Pin Torx and slotted Phillips head screws supplied
- Tough polycarbonate refractor with Die cast aluminum housing
- Electronic Fluorescent Ballast with 0°F Starting Temperature
- Improved Heat Control