

Color: Bronze

Weight: 0.8 lbs

Project:	Type:
Prepared By:	Date:

Technical Specifications

Construction

Accessory Only:

LPACK LED fixture sold separately

Arm:

Use to extend fixtures away from wall and to adjust the aiming angle of the light fixture. Great for facade and sign lighting.

Swivel Plate:

Die cast aluminum Swivel Plate adjusts 30 degrees in both directions and mounts to RAB's WPLED10, WPLED13, WPLED18, WPLED20 and WPLED26 fixtures

Mounting:

Die cast aluminum. Swivel mounts to RAB's LPACK surface junction box (not included with Swivel30) and RAB's LPACK WPLED fixtures with hardware provided. .

Construction:

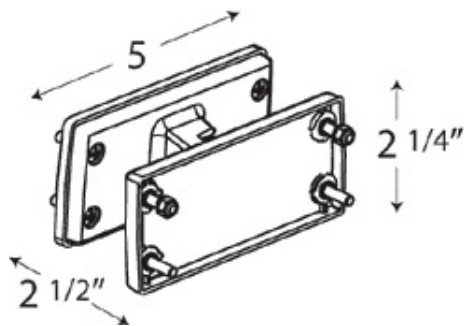
Die cast aluminum

Other

Buy American Act Compliance:

RAB values USA manufacturing! Upon request, RAB may be able to manufacture this product to be compliant with the Buy American Act (BAA). Please contact customer service to request a quote for the product to be made BAA compliant.

Dimensions



Features

LPACK LED fixture sold separately

Accessory for LED LPACK

Includes wires for easy connection to fixture wires and supply wires