



STEALTH Sensor with 200° detection pattern to provide wide coverage side to side. Excellent for building perimeter protection. Lens masks allow customization of detection zone. 240V compatibility.

Color: Bronze

Weight: 1.2 lbs

<b>Project:</b>	<b>Type:</b>
<b>Prepared By:</b>	<b>Date:</b>

## Technical Specifications

### Compliance

#### UL Listed:

Suitable for wet locations

### Electrical

#### Power Consumption:

1W

#### Surge Protection:

Withstands up to 6000 volts

#### Wall Switch Manual Override:

Two flip logic prevents activation by momentary power outages. Override resets to auto at dawn. No extra wiring needed.

#### RF Immunity:

Circuits fully shielded for maximum radio frequency immunity

#### Voltage:

240 Volts, 50 Hertz

#### Switching Capacity:

1000 watts incandescent @ 120 volts, 8 amps

### Sensor Specifications

#### Time Adjustment:

5 seconds to 12 minutes

#### Wide Sensitivity Control:

Adjustable from 100% to 30%

#### Advanced Detection Logic:

Minimizes false triggers

#### Photoelectric Control:

Deactivates lights during daylight. Fully adjustable for 24 hour operation or custom applications.

#### Detection:

200° view

### Construction

#### Temperature Compensation:

Sensitivity adjusts automatically for consistent detection in hot and cold ambient temperatures

#### Horizontal Lock, No-tool Joints:

Keeps sensing pattern level for fast, error-free installation

## Technical Specifications (continued)

### Construction

#### Floodlights:

Precision die cast aluminum. 1/2" NPS threaded arm with serrated locking swivel fits all standard mounting boxes and covers.

#### Lens Mask:

Customized press apply lens mask included to reduce coverage easily

### LED Characteristics

#### LED Detection Indicator:

Shows when sensor is detecting in daytime and glows red at night for "on-guard" deterrence

#### Color Matched Lens:

Dark lens with bronze units, white lens with white units

### Other

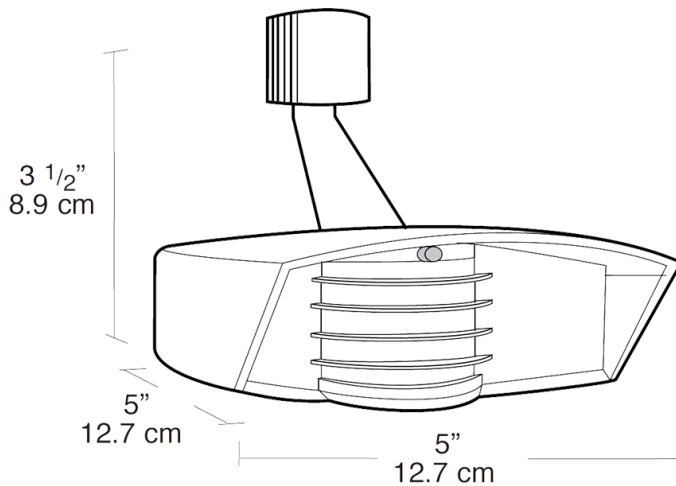
#### Warranty:

10 year sensor warranty

#### Buy American Act Compliance:

RAB values USA manufacturing! Upon request, RAB may be able to manufacture this product to be compliant with the Buy American Act (BAA). Please contact customer service to request a quote for the product to be made BAA compliant.

## Dimensions



## Features

- Temperature compensation
- Radio frequency immunity
- 6000 volt surge protection
- LED detection & "on guard" indicator
- Color matched vandal resistant lens and grill
- Protected manual override with auto reset
- Can be wired in parallel