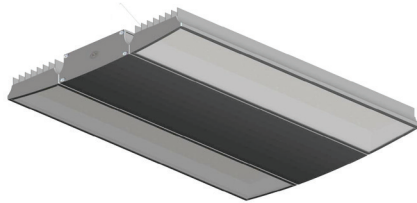


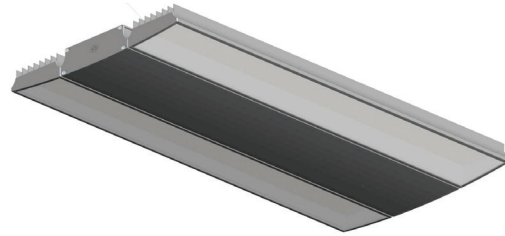
HIGHBAY RAIL INSTALLATION INSTRUCTIONS



Thank you for buying RAB lighting fixtures. Our goal is to design the best quality products to get the job done right. We'd like to hear your comments. Call the Marketing Department at 888-RAB-1000 or email: marketing@rabweb.com



RAIL - 20 inch



RAIL - 30 inch

IMPORTANT

READ CAREFULLY BEFORE INSTALLING FIXTURE. RETAIN THESE INSTRUCTIONS FOR FUTURE REFERENCE.

Fixtures must be wired in accordance with the National Electrical Code and all applicable local codes. Proper grounding is required for safety. THIS PRODUCT MUST BE INSTALLED IN ACCORDANCE WITH THE APPLICABLE INSTALLATION CODE BY A PERSON FAMILIAR WITH THE CONSTRUCTION AND OPERATION OF THE PRODUCT AND THE HAZARDS INVOLVED.

WARNING: Make certain power is OFF before installing or maintaining fixture. No user serviceable parts inside.

MOUNTING FIXTURE TO CEILING

Mount **Housing** to sturdy ceiling structure as follows:

1. **Y Hooks (2)** are provided for chain mounting. Secure **Y Hooks** through **Bracket Hole** at back of **Housing** as in **Fig. 1**.
2. Connect to two (2) equal lengths of chain (by others) and/or appropriate hardware (by others) suitable for mounting surface, to suspend **Housing** from **Y Hooks**.
3. Fixture mounting height and spacing should be determined by application requirements. Use chain suitable to support four (4) times the weight of the fixture (24 lbs).
4. **Brackets (2)** should be positioned near end of **Housing** as shown in **Fig.2**. Secure **Housing** to ceiling mounting surface and adjust **Brackets** evenly to ensure **Housing** is stabilized.
5. Remove **Access Plate** and feed supply wire with strain relief conduit connector through **Access Plate** and make electrical connections as shown in wiring diagram. Use approved wiring connectors and wire to local NEC codes. Push all wires back into **Housing**. Be careful not to pinch wires.
6. Secure **Access Plate** and tighten **Screws (2)**.

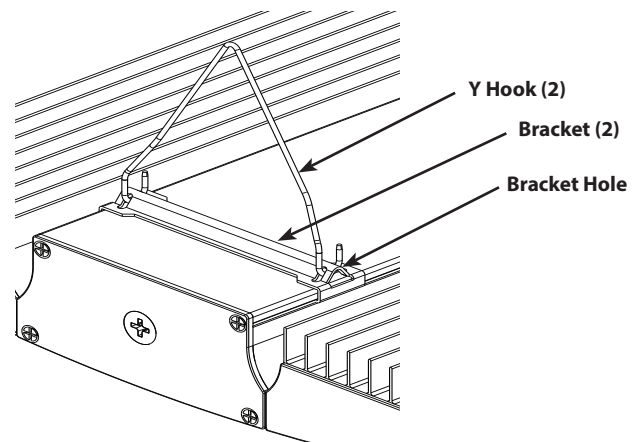


Fig. 1

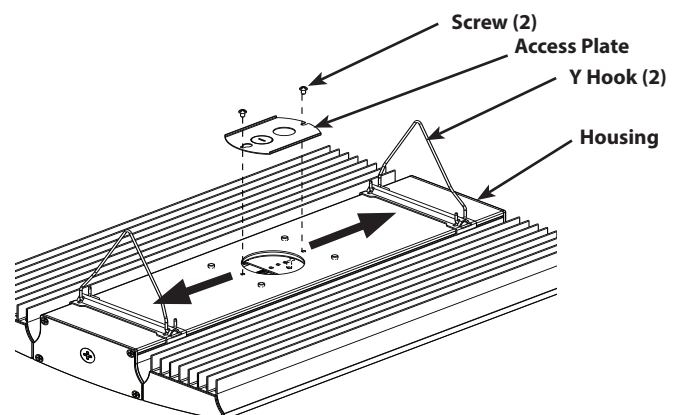


Fig. 2

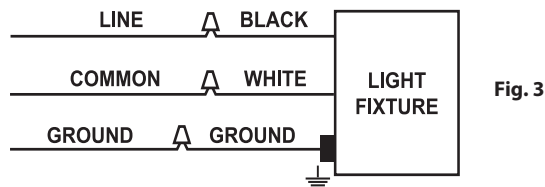
HIGHBAY RAIL INSTALLATION INSTRUCTIONS

Thank you for buying RAB lighting fixtures. Our goal is to design the best quality products to get the job done right. We'd like to hear your comments. Call the Marketing Department at 888-RAB-1000 or email: marketing@rabweb.com

WIRING

Universal voltage driver permits operation at 120V thru 277V, 50 or 60 Hz, except fixtures factory ordered with a 120V swivel photocell (/PCS) and 277V swivel photocell (/PCS2). Units ordered with (/480V) suffix are 480V. For On-Off, follow wiring directions as in **Fig. 3**.

1. Connect the black fixture lead to the LINE supply lead.
2. Connect the white fixture lead to the COMMON supply lead.
3. Connect the GROUND wire from fixture to supply ground.



CLEANING & MAINTENANCE

CAUTION: Be sure fixture temperature is cool enough to touch. Do not clean or maintain while fixture is energized.

1. Clean lens & fixture with non-abrasive cleaning solution.
2. Do not open fixture to clean the LED. Do not touch the LED.

TROUBLESHOOTING

1. Check that the line voltage at fixture is correct. Refer to wiring directions.
2. Is the fixture grounded properly?

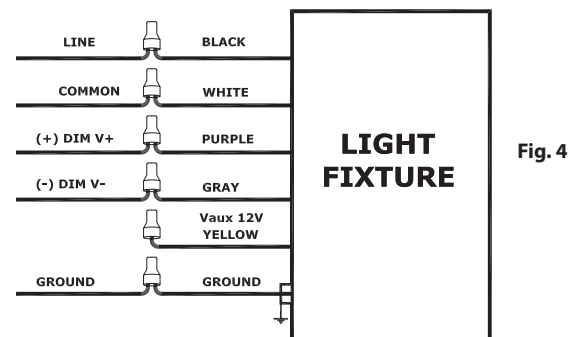
PATENT - **Pending:** Pat. Pending

Note: These instructions do not cover all details or variations in equipment nor do they provide for every possible situation during installation operation or maintenance.

0-10V DIMMABLE WIRING

Universal voltage driver permits operation at 120V thru 277V, 50 or 60 Hz. Units ordered with (/480V/D10) suffix are 480V. For 0-10V Dimming, follow the wiring directions as in **Fig. 4**.

1. Connect the black fixture lead to the LINE supply lead.
2. Connect the white fixture lead to the COMMON supply lead.
3. Connect the GROUND wire from fixture to supply ground. Do NOT connect the GROUND of the dimming fixture to the output.
4. Connect the purple fixture lead to the (V+) DIM lead.
5. Connect the gray fixture lead to the (V-) DIM lead.
6. Cap the yellow fixture lead, if present. Do NOT connect.



HIGHBAY RAILP INSTALLATION INSTRUCTIONS



Thank you for buying RAB lighting fixtures. Our goal is to design the best quality products to get the job done right. We'd like to hear your comments. Call the Marketing Department at 888-RAB-1000 or email: marketing@rabweb.com



RAILP Pendant Mount



RAILP Surface Mount

IMPORTANT

READ CAREFULLY BEFORE INSTALLING FIXTURE. RETAIN THESE INSTRUCTIONS FOR FUTURE REFERENCE.

Fixtures must be wired in accordance with the National Electrical Code and all applicable local codes. Proper grounding is required for safety. THIS PRODUCT MUST BE INSTALLED IN ACCORDANCE WITH THE APPLICABLE INSTALLATION CODE BY A PERSON FAMILIAR WITH THE CONSTRUCTION AND OPERATION OF THE PRODUCT AND THE HAZARDS INVOLVED.

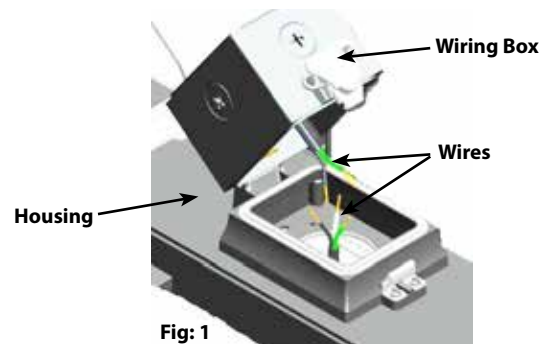
WARNING: Make certain power is OFF before installing or maintaining fixture. No user serviceable parts inside.

CAUTION

SILICONE ALL PLUGS AND UNUSED CONDUIT ENTRIES FOR WEATHER PROOF SEALING.

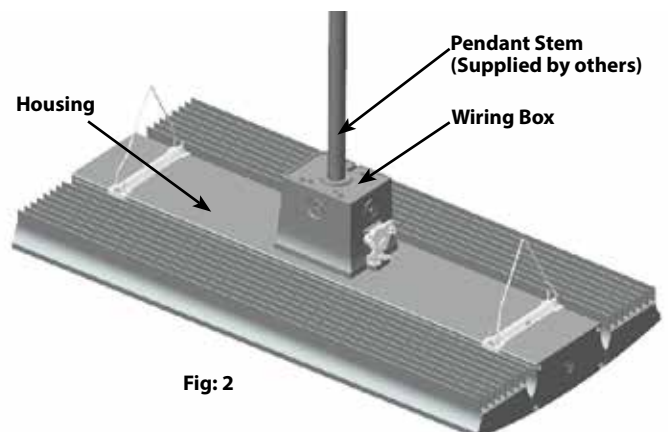
FOR PENDANT MOUNTING:

1. Choose length of 3/4" NPS **Pendant Stem** (supplied by others).
2. Feed **Wires** through pendant stems.
3. For wet locations, wrap threads on pendant stems with teflon tape and silicone gel.
4. Screw pendant stem to **Wiring Box**. Tighten set screw.
5. Unlatch and open **Wiring Box**. Slide wires in **Wiring Box**. Use approved wiring connectors and wire to local NEC codes to complete wiring.



FOR SURFACE MOUNTING:

1. Unlatch and open **Wiring Box** to make electrical splices.
2. Mount **Wiring Box** to ceiling by drilling out **Drill Locations** as shown on **Page 2**. Use the appropriate mounting hardware for the mounting surface.
3. Be sure gasket is properly seated.
4. Slide **Wires** in **Wiring Box**. Use approved wiring connectors and wire to local NEC codes to complete wiring.
5. Latch **Housing** on **Wiring Box** making sure gaskets are properly seated.
6. Use silicone or teflon tape on all plugs and on the threads of all conduit entry points. If outdoor surface is irregular, use caulk to seal any gaps around wiring box



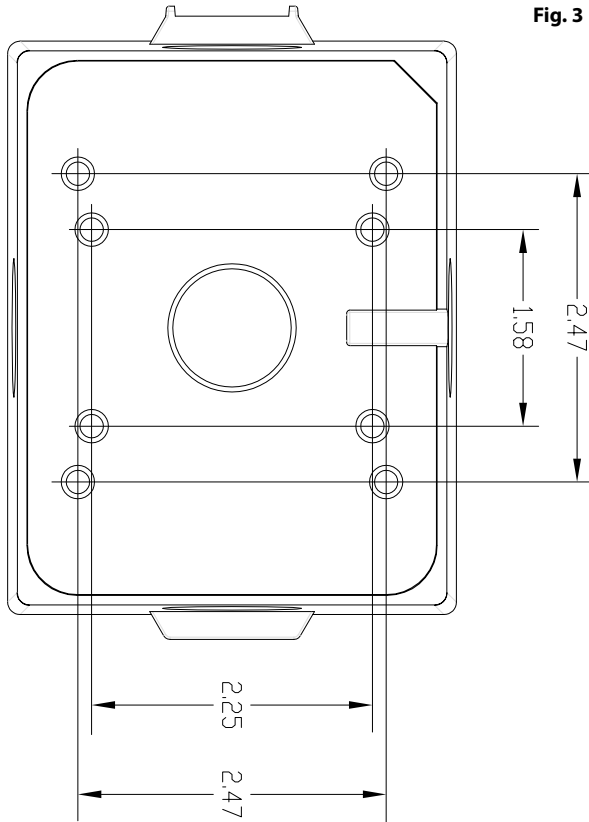
HIGHBAY RAILP INSTALLATION INSTRUCTIONS



Thank you for buying RAB lighting fixtures. Our goal is to design the best quality products to get the job done right. We'd like to hear your comments. Call the Marketing Department at 888-RAB-1000 or email: marketing@rabweb.com

DRILL- OUT LOCATIONS

Not to scale, inches



TROUBLESHOOTING

1. Check that the line voltage at fixture is correct. Refer to wiring directions.
2. Is the fixture grounded properly?

CLEANING & MAINTENANCE

CAUTION: Be sure fixture temperature is cool enough to touch. Do not clean or maintain while fixture is energized.

1. Clean lens & fixture with non-abrasive cleaning solution.
2. Do not open fixture to clean the LED. Do not touch the LED.

PATENT - **Pending:** Pat. Pending

Note: These instructions do not cover all details or variations in equipment nor do they provide for every possible situation during installation operation or maintenance.



Easy Installation & Product Help

Tech Help Line
Call our experts 888 RAB-1000

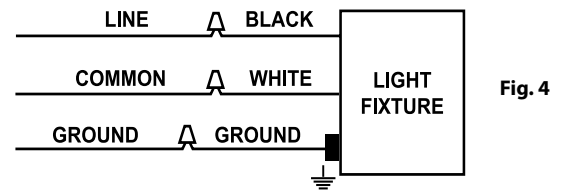
rabweb.com
Visit our website for product info

email
Answered promptly sales@rabweb.com

ON-OFF WIRING

Universal voltage driver permits operation at 120V thru 277V, 50 or 60 Hz. Units ordered with (/480V) suffix are 480V. For On-Off, follow wiring directions as in **Fig. 4**.

1. Connect the black fixture lead to the LINE supply lead.
2. Connect the white fixture lead to the COMMON supply lead.
3. Connect the GROUND wire from fixture to supply ground.



0-10V DIMMABLE WIRING

Universal voltage driver permits operation at 120V thru 277V, 50 or 60 Hz. Units ordered with (/480V/D10) suffix are 480V. For 0-10V Dimming, follow the wiring directions as in **Fig. 5**.

1. Connect the black fixture lead to the LINE supply lead.
2. Connect the white fixture lead to the COMMON supply lead.
3. Connect the GROUND wire from fixture to supply ground. Do NOT connect the GROUND of the dimming fixture to the output.
4. Connect the purple fixture lead to the (V+) DIM lead.
5. Connect the gray fixture lead to the (V-) DIM lead.
6. Cap the yellow fixture lead, if present. Do NOT connect.

