



This ultra high efficiency LED garage light delivers up to 118 lumens per Watt. Available in 30, 42 and 55 Watt versions that replace 70 to 175 Watt metal halide fixtures. Fixture measures 14" L x 14" W.

Color: White

Weight: 10.6 lbs

Project:

Type:

Prepared By:

Date:

Driver Info

Type	Constant Current
120V	0.36A
208V	0.19A
240V	0.18A
277V	0.17A
Input Watts	43.1W

LED Info

Watts	42W
Color Temp	5000K (Cool)
Color Accuracy	78 CRI
L70 Lifespan	100,000 Hours
Lumens	5,171
Efficacy	120 lm/W

Technical Specifications

Compliance

UL Listed:

Suitable for wet locations

IESNA LM-79 & LM-80 Testing:

RAB LED luminaires and LED components have been tested by an independent laboratory in accordance with IESNA LM-79 and LM-80.

Construction

Lens:

Frosted polycarbonate

Gaskets:

High-temperature silicone

IP Rating:

Ingress Protection rating of IP66 for dust and water

Ambient Temperature:

Suitable for use in up to 40°C (104°F)

Finish:

Formulated for high durability and long-lasting color

Cold Weather Starting:

Minimum starting temperature is -40°C (-40°F)

Thermal Management:

Superior thermal management with external "Air-Flow" fins

Housing:

Die-cast aluminum and sheetmetal housing. Polycarbonate is affected by cleaning agents or other liquids containing partial solvents such as low molecular weight aldehydes and ethers, ketones, esters, aromatic hydrocarbons and perchlorinated hydrocarbons. [Click here for a detailed list of damaging chemicals.](#)

Mounting:

Die-cast aluminum backbox with (4) 1/2" conduit openings with plugs. Hinged tether for easy installation and wiring. Also accommodates 1/2" or 3/4" NPS pendants (provided by others).

Reflector:

Specular polycarbonate

Green Technology:

Mercury and UV free. RoHS-compliant components.

LED Characteristics

LEDs:

Long-life, high-efficacy, surface-mount LEDs

Technical Specifications (continued)

LED Characteristics

Color Consistency:

7-step MacAdam Ellipse binning to achieve consistent fixture-to-fixture color

Color Stability:

LED color temperature is warranted to shift no more than 200K in color temperature over a 5-year period

Color Uniformity:

RAB's range of Correlated Color Temperature follows the guidelines of the American National Standard for Specifications for the Chromaticity of Solid State Lighting (SSL) Products, ANSI C78.377-2017.

Performance

Lifespan:

100,000-Hour LED lifespan based on IES LM-80 results and TM-21 calculations

Other

Warranty:

RAB warrants that our LED products will be free from defects in materials and workmanship for a period of five (5) years from the date of delivery to the end user, including coverage of light output, color stability, driver performance and fixture finish. RAB's warranty is subject to all terms and conditions found at rablighting.com/warranty.

Equivalency:

Equivalent to 150W Metal Halide

Buy American Act Compliance:

RAB values USA manufacturing! Upon request, RAB may be able to manufacture this product to be compliant with the Buy American Act (BAA). Please contact customer service to request a quote for the product to be made BAA compliant.

Electrical

Drivers:

Constant Current, Class 2 100V - 277V, 50/60 Hz. THD <20%.

THD:

6.7% at 120V, 7.6% at 277V

Power Factor:

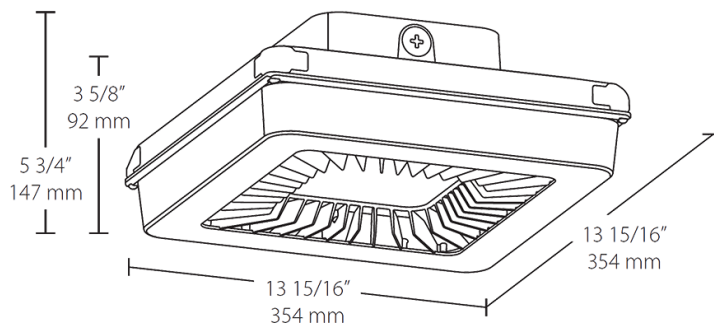
99.3% at 120V, 97.7% at 277V

Listings

DLC Listed:

This product is listed by Design Lights Consortium (DLC) as an ultra-efficient premium product that qualifies for the highest tier of rebates from DLC Member Utilities. DLC Product Code: PW9AFCEY

Dimensions



Features

- Ultra-high efficiency
- Pendant or surface mount
- Low glare, vandal-resistant polycarbonate lens
- 20% uplight eliminates "cave effect"
- 100,000-Hour LED lifespan
- 5-Year, No-Compromise Warranty

Ordering Matrix

Family	Wattage	Color Temp	Finish	Driver Options	Sensor Options	Other Options
PRT	42		W			
	30 = 30W (14" x 14")	Blank = 5000K (Cool)	Blank = Bronze	Blank = 120-277V On/Off /480 = 480V On/Off	Blank = No Option /WS = Multi-Level Motion Sensor for 14" ¹	USA = BAA Compliant
	42 = 42W (14" x 14")	N = 4000K (Neutral)	W = White	/D10 = 120-277V w/ 0-10V Dimming	/WS2 = Multi-Level Motion Sensor for 18" ¹	Blank = Standard
	55 = 55W (14" x 14")	Y = 3000K (Warm)		/480/D10 = 480V w/ 0-10V Dimming	/PCS = 120V Swivel Photocell	
	70 = 70W (18" x 18")			/E2 = Battery Backup	/PCS2 = 277V Swivel Photocell	
	80 = 80W (18" x 18")			/D10/E2 = 0-10V Dimming w/ Battery Backup	/PCS4 = 480V Swivel Photocell	
	105 = 105W (18" x 18")				/LC = Lightcloud® Controller /LCS = Lightcloud® Sensor	

¹ Only available for 120-277V with 0-10V dimming driver.