



Luminator sensor with 110° view, manual override, 300 Watt switching capacity and auto test logic.

Color: Bronze

Weight: 0.7 lbs

<b>Project:</b>	<b>Type:</b>
<b>Prepared By:</b>	<b>Date:</b>

**Technical Specifications**

**Listings**

**UL Listing:**

Suitable for wet locations

**Electrical**

**Voltage:**

120 volts AC 60 Hz

**Power Consumption:**

1W

**Wall Switch Manual Override:**

Two flip logic prevents activation by momentary power outages. Override resets to auto after 6 hours or at dawn. No extra wiring needed.

**Surge Protection:**

Withstands up to 3000 volts

**Switching Capacity:**

300 watts incandescent @ 120 volts, 2.5 amps.

**Sensor Characteristics**

**Time Adjustment:**

8 seconds to 10 minutes

**Photo Control:**

Deactivates lights during daylight. Fully adjustable for 24 hour operation or custom applications.

**Detector Sensitivity:**

Adjustable from 100% to 50%

**Auto Test Logic:**

5 minutes of test time when power is turned on, Rests to auto mode without further adjustment

**Sensor Housing:**

Made of tough, corrosion resistant polycarbonate

**Detection:**

110° view

**Construction**

**Floodlights:**

Made of tough, corrosion-resistant polycarbonate. Accepts PAR-38 lamps, medium base, 150 watts max. Lamps not included.

**Other**

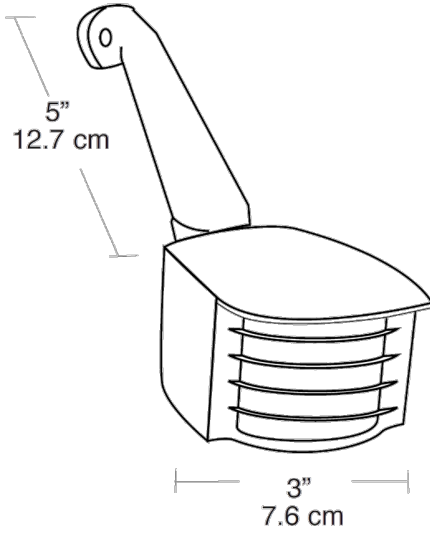
**Warranty:**

3 year sensor warranty

**Buy American Act Compliance:**

RAB values USA manufacturing! Upon request, RAB may be able to manufacture this product to be compliant with the Buy American Act (BAA). Please contact customer service to request a quote for the product to be made BAA compliant.

## Dimensions



## Features

- 300 Watt switching capacity
- Manual override
- Fully adjustable positioning
- 110° double look down lens
- Tough, vandal resistant lens and grill
- LS300 fits 1/2" standard threaded cover plates
- 3-Year Warranty