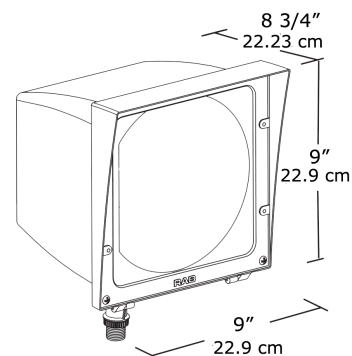


EZHH150QT

Versatile MH Floodlight with hinged lens frame and Hydroformed reflector. Field adjustable vertical and horizontal lamp positions. 50-150w QT MH. Lamp supplied.

Color: Bronze

Weight: 15.0 lbs



Lamp Info

Type: ED17
 Watts: 150W
 Shape/Size: N/A
 Base: N/A
 ANSI: N/A
 Hours: 10,000
 Lamp Lumens: 12,500
 Efficacy: 68 LPW

Ballast Info

Type: CWA-HPF QT
 120V: 1.0/1.6A
 208V: .6/.9A
 240V: .5/.8A
 277V: .5/.7A
 Input Watts: 185W
 Efficiency: 81%

Technical Specifications

UL Listing:

Suitable for wet locations. Suitable for mounting within 1.2m (4ft) of the ground.

Housing:

Precision die cast aluminum. 1/2" NPS threaded arm with locking swivel.

Reflector:

Hydroformed aluminum. Field adjustable vertical or horizontal.

Lens Gasket:

High temperature tubular silicone set in die cast retaining groove remains in place during relamping.

Lens Frame:

Precision die cast aluminum. Hinged for easy access.

Socket:

Porcelain 4kv Pulse Rated socket with nickel plated screw shell.

Finish:

Our environmentally friendly polyester powder coatings are formulated for high-durability and long-lasting color, and contains no VOC or toxic heavy metals.

Ground Mounting:

Use the new MPM19 PVC Mighty Post with aluminum cap for sturdy installation.

Quad Tap:

Fixture works with 120, 208, 240 and 277 Volts .

EPA:

0.6

Patents:

RAB sensor and fixture designs are protected under U.S. and International Intellectual Property laws.