



Floodlight brackets for steel and wood poles.

Color: Galvanized

Weight: 9.0 lbs

**Project:**

**Type:**

**Prepared By:**

**Date:**

## Technical Specifications

### Construction

**Finish:**

Galvanized steel

**EPA Maximum Capacity:**

7.4

**Bracket:**

3/16" thick steel

### Other

**Description:**

Single Floodlight Bracket

**Maximum Weight:**

105 lbs

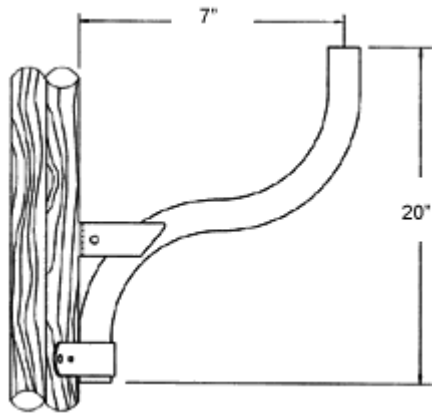
**Patents:**

The designs of fixtures are protected under U.S. and international intellectual property laws.

### Buy American Act Compliance:

RAB values USA manufacturing! Upon request, RAB may be able to manufacture this product to be compliant with the Buy American Act (BAA). Please contact customer service to request a quote for the product to be made BAA compliant.

## Dimensions



## Features

- Easy, secure floodlight mounting
- Double Reinforced weld joints