



MTP MIC Trunk Cables					
Strand Count	Description	MTP-ST	MTP-SC	MTP-FC	MTP-LC
12	62.5/125 MTP-MTP MIC-PVC	812-M21M-LLLM	812-M41M-LLLM	812-M61M-LLLM	812-ML1M-LLLM
12	62.5/125 MTP-MTP MIC-Plenum	812-M22M-LLLM	812-M42M-LLLM	812-M62M-LLLM	812-ML2M-LLLM
12	50/125 MTP-MTP MIC-PVC	812-M21M-LLL50	812-M41M-LLL50	812-M61M-LLL50	812-ML1M-LLL50
12	50/125 MTP-MTP MIC-Plenum	812-M22M-LLL50	812-M42M-LLL50	812-M62M-LLL50	812-ML2M-LLL50
12	50/125 LOMM MTP-MTP MIC-PVC	812-M21M-LLL50L	812-M41M-LLL50L	812-M61M-LLL50L	812-ML1M-LLL50L
12	50/125 LOMM MTP-MTP MIC-PVC	812-M22M-LLL50L	812-M42M-LLL50L	812-M62M-LLL50L	812-ML2M-LLL50L
12	9/125 MTP-MTP MIC-PVC	812-M21M-LLLS	812-M41M-LLLS	812-M61M-LLLS	812-ML1M-LLLS
12	9/125 LOMM MTP-MTP MIC-Plenum	812-M22M-LLLS	812-M42M-LLLS	812-M62M-LLLS	812-ML2M-LLLS

* Also available in 24, 48, and 72 strand, change the first three numbers accordingly; 824, 848, 872



Contact Quiktron today and let one of our fiber specialists assist you with building a solution to fit your exact needs.

Configuration Options

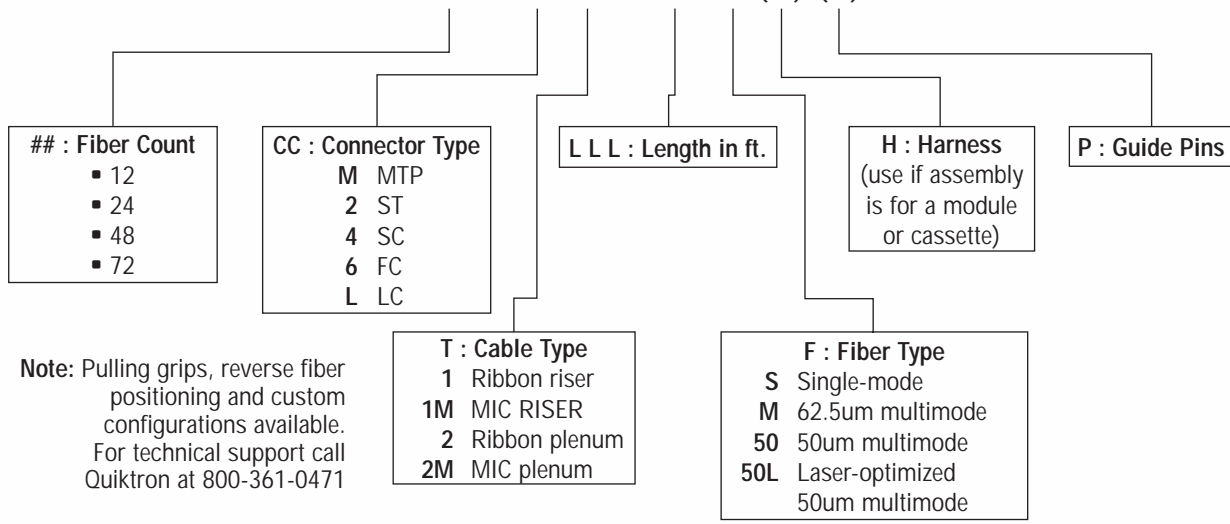
MTP® Product Types

- MTP to MTP Trunks** MTP connectors on both ends
- MTP to SC/ST/FC/LC Trunks** MTP connectors on one end; SC/ST/FC/LC connectors on opposite end
- MTP Harnesses** MTP connector on one end; SC/ST/FC/LC connectors on opposite end; used within module/cassette to transition from an MTP multifiber connector to single fiber connectors

Part number example: 824-M41M-100S =

MTP / SC trunk on 24 fiber MIC riser cable; 100 feet; single-mode fiber

8 ## - CCT - LLL F (H) (P)



Note: Pulling grips, reverse fiber positioning and custom configurations available. For technical support call Quiktron at 800-361-0471

[MTP] Solutions



Cat5E Patch Cords

Quiktron's Q-Series Cat5E Patch Cords are the perfect solution for distributing data, voice and video. Our patch cords are constructed with high-quality wire and a shortened body plug to keep Near-End Crosstalk (NEXT) levels to a minimum while providing the necessary bandwidth to support mission-critical applications.

Features:

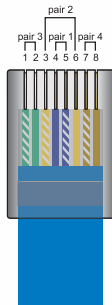
- Meets or exceeds industry standards for NEXT and return loss
- Also available in booted, non-booted and in a large variety of colors
- Made with 24 AWG, stranded copper (7 X 32), four twisted pairs
- Lifetime warranty
- Q-Series Patch cords are made in the USA
- Available in custom lengths and colors
- Ships in as little as two business days

If the project calls for a specific manufacturer, Quiktron offers the flexibility to make solutions utilizing virtually any manufacturer's cable specified.

Wiring Schematics - 568A vs. 568B

568A

Pair	Wire	Pin
1	White/Blue Blue	5 4
2	White/Orange Orange	3 6
3	White/Green Green	1 2
4	White/Brown Brown	7 8



568B

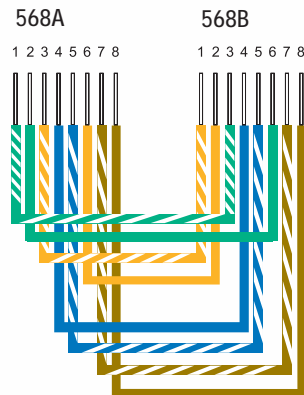
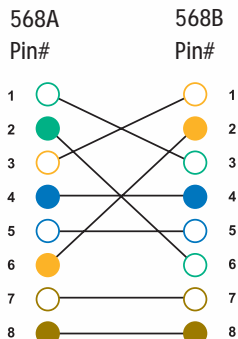
Pair	Wire	Pin
1	White/Blue Blue	5 4
2	White/Orange Orange	1 2
3	White/Green Green	3 6
4	White/Brown Brown	7 8



EIA/TIA 568A and 568B specifies the pin designation for Category 5 cabling. While the original specification was known as 568A, it later became known as a wiring scheme along with 568B. The only difference between the two configurations is the placement of the second (white/orange, orange) and third pairs (white/green, green).

Either wiring scheme may be used during installation. Although 568B is more common, there is no difference in performance. What is critical, however, is that the same wiring scheme is used throughout the network. If 568B is used at the wall plate, then it must also be used at the patch panel. Failure to do so will cause the network switch to not communicate properly. Although there are four pairs, only two (white/orange, orange; white/green, green) are used to transmit and receive.

Crossover Cables - 568A to 568B



A crossover cable is simply a Cat5, Cat5E, or Cat6 network cable that is pinned 568A on one end and 568B on the other. While the unused pins 4, 5, 7, 8 are pinned identical, pins 1, 2, 3, and 6 are "crossed over" to 3, 6, 1, and 2, respectively. Crossover cables are used in situations where two devices have the same interface, particularly computer to computer. A crossover cable or port is often times used when patching a hub or a switch into a wall plate.



Q-Series Cat5E Patch Cords

	Black	Blue	Gray	Green	Orange	Purple	Red	White	Yellow
Non-Booted	550-135-LLL	550-110-LLL	550-100-LLL	550-120-LLL	550-140-LLL	550-145-LLL	550-130-LLL	550-125-LLL	550-115-LLL
Booted	551-135-LLL	551-110-LLL	551-100-LLL	551-120-LLL	551-140-LLL	551-145-LLL	551-130-LLL	551-125-LLL	551-115-LLL
Crossover	553-135-LLL	553-110-LLL	553-100-LLL	553-120-LLL	553-140-LLL	553-145-LLL	553-130-LLL	553-125-LLL	553-115-LLL
Gigabit Crossover	555-135-LLL	555-110-LLL	555-100-LLL	555-120-LLL	555-140-LLL	555-145-LLL	555-130-LLL	555-125-LLL	555-115-LLL
Shielded	530-135-LLL	530-110-LLL	530-100-LLL	530-120-LLL	530-140-LLL	530-145-LLL	530-130-LLL	530-125-LLL	530-115-LLL
BerkTek LM 350	558-135-LLL	558-110-LLL	558-100-LLL	558-120-LLL	558-140-LLL	558-145-LLL	558-130-LLL	558-125-LLL	558-115-LLL
Solid Wire	520-135-LLL	520-110-LLL	520-100-LLL	520-120-LLL	520-140-LLL	520-145-LLL	520-130-LLL	520-125-LLL	520-115-LLL
Plenum-Rated, Solid Wire	597-135-LLL	597-110-LLL	597-100-LLL	597-120-LLL	597-140-LLL	597-145-LLL	597-130-LLL	597-125-LLL	597-115-LLL

*LLL — Length can be customized to meet your specifications.
**Pink (150), Lime Green (165), and Brown (160) also available.

Value Series Cat5E Patch Cords - Booted

	Black	Blue	Gray	Green	Orange	Purple	Red	White	Yellow
1 Ft.	570-135-001	570-110-001	570-100-001	570-120-001	570-140-001	570-145-001	570-130-001	570-125-001	570-115-001
2 Ft.	570-135-002	570-110-002	570-100-002				570-130-002	570-125-002	570-115-002
3 Ft.	570-135-003	570-110-003	570-100-003	570-120-003	570-140-003	570-145-003	570-130-003	570-125-003	570-115-003
5 Ft.	570-135-005	570-110-005	570-100-005	570-120-005	570-140-005	570-145-005	570-130-005	570-125-005	570-115-005
7 Ft.	570-135-007	570-110-007	570-100-007	570-120-007	570-140-007	570-145-007	570-130-007	570-125-007	570-115-007
10 Ft.	570-135-010	570-110-010	570-100-010	570-120-010	570-140-010	570-145-010	570-130-010	570-125-010	570-115-010
14 Ft.	570-135-014	570-110-014	570-100-014	570-120-014	570-140-014	570-145-014	570-130-014	570-125-014	570-115-014
20 Ft.	570-135-020	570-110-020	570-100-020				570-130-020	570-125-020	570-115-020
25 Ft.	570-135-025	570-110-025	570-100-025	570-120-025	570-140-025	570-145-025	570-130-025	570-125-025	570-115-025
50 Ft.	570-135-050	570-110-050	570-100-050	570-120-050	570-140-050	570-145-050	570-130-050	570-125-050	570-115-050
100 Ft.	570-135-100	570-110-100	570-100-100	570-120-100	570-140-100	570-145-100	570-130-100	570-125-100	570-115-100

*Other lengths are available - please contact your Quiktron representative for complete lengths and availability.

Value Series Cat5E Patch Cords - Non-Booted

	Black	Blue	Gray	Green	Orange	Purple	Red	White	Yellow
1 Ft.	560-135-001	560-110-001	560-100-001	560-120-001	560-140-001	560-145-001	560-130-001	560-125-001	560-115-001
2 Ft.	560-135-002	560-110-002	560-100-002	560-120-002			560-130-002	560-125-002	560-115-002
3 Ft.	560-135-003	560-110-003	560-100-003	560-120-003	560-140-003	560-145-003	560-130-003	560-125-003	560-115-003
5 Ft.	560-135-005	560-110-005	560-100-005	560-120-005	560-140-005	560-145-005	560-130-005	560-125-005	560-115-005
7 Ft.	560-135-007	560-110-007	560-100-007	560-120-007	560-140-007	560-145-007	560-130-007	560-125-007	560-115-007
10 Ft.	560-135-010	560-110-010	560-100-010	560-120-010	560-140-010	560-145-010	560-130-010	560-125-010	560-115-010
14 Ft.	560-135-014	560-110-014	560-100-014	560-120-014	560-140-014	560-145-014	560-130-014	560-125-014	560-115-014
20 Ft.	560-135-020	560-110-020	560-100-020				560-130-020	560-125-020	560-115-020
25 Ft.	560-135-025	560-110-025	560-100-025	560-120-025	560-140-025	560-145-025	560-130-025	560-125-025	560-115-025
50 Ft.	560-135-050	560-110-050	560-100-050	560-120-050	560-140-050	560-145-050	560-130-050	560-125-050	560-115-050
100 Ft.	560-135-100	560-110-100	560-100-100	560-120-100		560-145-100	560-130-100	560-125-100	560-115-100

*Other lengths are available - please contact your Quiktron representative for complete lengths and availability.

[Cat5E] Patch Cords