



# F-can (72C)

## F-CAN HID HPS BAL 100W S54 120/277V FCAN

The Philips Advance line of F-can HID ballasts comes in two dual-voltage configurations for the US and Canadian market. Ballasts for these luminaires are most often encased and potted in fluorescent ballast type cans.

### Product data

General Information	
ANSI Code	S54
Lamp Type	100W HPS
Number of Lamps	1 piece/unit
Circuit Type	HX-HPF
Ballast Type	Magnetic HID
Base Model	72C8084
Suitable For Outdoor Use	Yes
Ignitor Catalog Number	Inside Can
Capacitor Catalog Number	Inside Can
Automatic Restart	No

Operating and Electrical	
Input Voltage	120/277 V
Input Frequency	60 Hz
Input Current (Open Circuit)	1.85/0.8 A
Input Current (Starting)	1.5/0.65 A
Input Current (Short Circuit)	1.4-2.1/0.6-0.9 A
Secondary Short Circuit Current	2.7-3.35 A
Constant Wattage Deviation	Within Trapezoid
Ballast Factor (Nom)	1
Power Factor (Nom)	0.90
Open Circuit Voltage	120 V
Input Current (Nom)	1.1/0.5 A A

Input Power (Nom)	125 W
Rated Lamp Power	100 W
Wiring	
Wire Striplength	0.5 mm
Wire Length by Color	12"
Wire Type	Stranded
Remote Wiring Configuration Allowed	Yes
Max Ballast-Lamp Distance Remote Wiring	15'
Recommended Fuse Value	6/3 A

Mechanical and Housing	
Housing Material	Metal
Housing	F-Can
Housing Dimensions	11.75 x 2.63 x 3.19

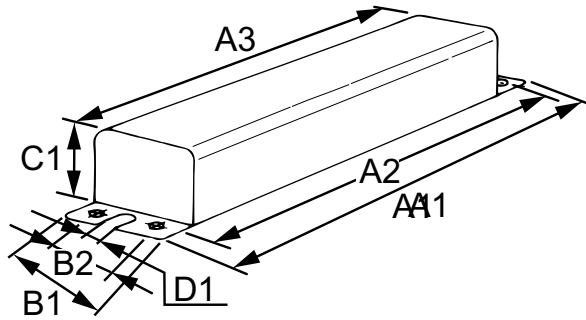
Approval and Application	
Open Circuit Voltage Test (Volts)	110-130 V
Approval Marks	CSA certificate UL certificate RoHS Compliant
Temperature Marking	90°C max. case
UL Recognized	No
Hipot Test (1 Minute)	1600 V
Hipot Test (2 Seconds)	2000 V

## F-can (72C)

UL Insulation Class	A(105°C)
UL Temperature Code	NA
<b>Product Data</b>	
Order product name	F-CAN HID HPS BAL 100W S54 120/277V FCAN
EAN/UPC - Product	781087025123

Order code	913710410201
Numerator - Quantity Per Pack	1
Numerator - Packs per outer box	1
Material Nr. (12NC)	913710410201
Net Weight (Piece)	3.997 kg

### Dimensional drawing



HPS BAL 100W S54 120/277V FCAN

Product	A1	A2	A3	B1	B2	C1	D1
F-CAN HID HPS BAL 100W S54 120/277V FCAN	12 in	11.13 in	10.5 in	3.9 in	2.0 in	2.6 in	0.3 in

