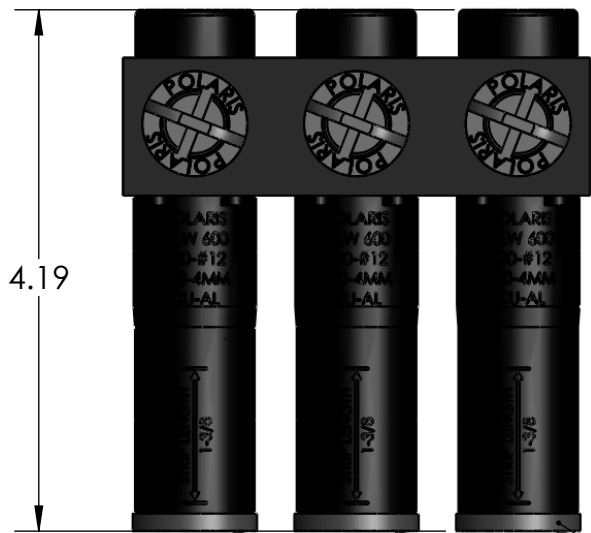
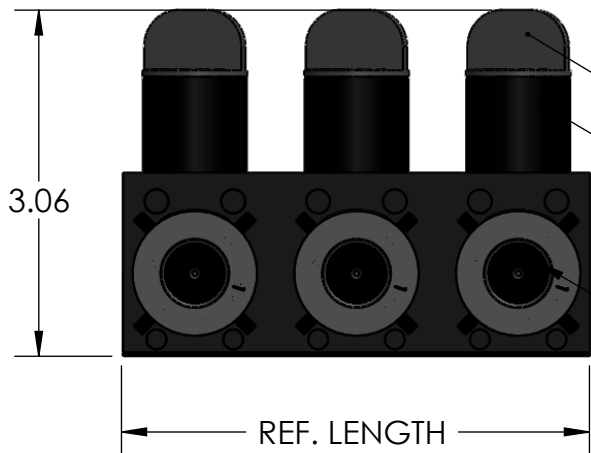


PART NUMBER	# OF PORTS	LENGTH
ISPB350-3	3	3.61
ISPB350-4	4	4.80
ISPB350-6	6	7.18

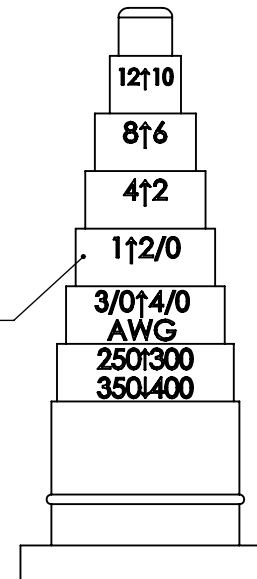


4.19



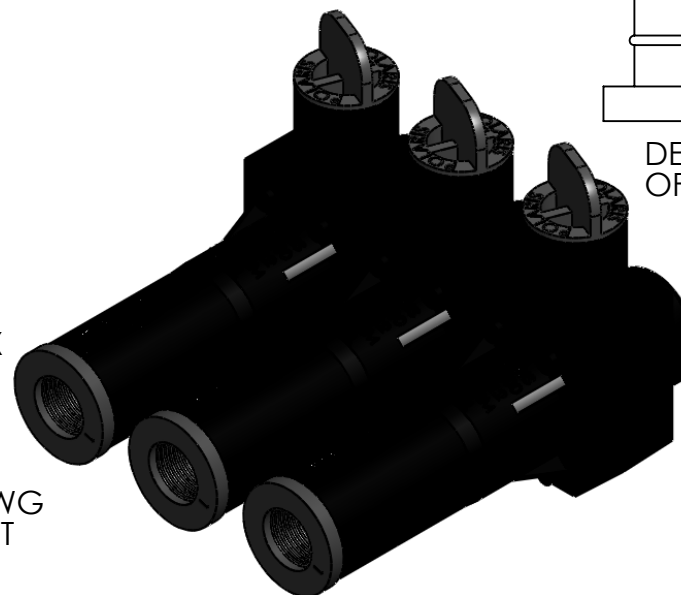
3.06

REF. LENGTH



CUT FOR APPROPRIATE WIRE SIZE

DETAIL VIEW OF ROCKET



CONTACT NSI FOR SALES @ 800.321.5847



**POLARIS**  
SALES CO. INC

PROPRIETARY AND CONFIDENTIAL

11625 PROSPEROUS DRIVE ODESSA, FL 33556

THE INFORMATION CONTAINED IN THIS DRAWING IS THE SOLE PROPERTY OF POLARIS SALES CO. INC. ANY REPRODUCTION IN PART OR AS A WHOLE WITHOUT THE WRITTEN PERMISSION OF POLARIS SALES CO. INC. IS PROHIBITED.

TITLE:  
**350 BLACK  
SUBMERSIBLE  
PEDESTAL CONNECTOR**

NOTES:

- CONNECTOR PRE-FILLED W/ OXIDE INHIBITOR.
- CONNECTOR MEETS OR EXCEEDS ANSI C119.4 SPECIFICATIONS.

NAME	DATE
DRAWN BY S.PARRY	2/1/2013

DWG. NO.  
**ISPB350-SERIES**

MATERIAL: 6061-T6511 ALUMINUM

SCALE: 1:2

SHEET: 1 OF 1