

PLEASE CHECK WWW.MOLEX.COM FOR LATEST PART INFORMATION

Part Number: [1301910021](#)
Status: **Active**
Overview: [Lighting Accessories](#)
Description: Lamp Bulb 13 Watt Fluorescent

Documents:

[RoHS Certificate of Compliance \(PDF\)](#)

General

Product Family	Portable Lighting
Series	130191
NEMA Configuration	N/A
Outlet	None
Overview	Lighting Accessories
Product Name	Woodhead
Type	Accessory
UPC	78678854010
Woodhead	Yes

Physical

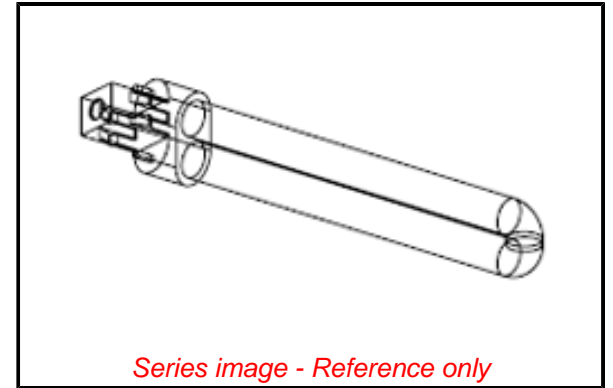
Cord Length - Primary	N/A
Cord Length - Secondary	N/A
Depth	N/A
Duty	N/A
Guard Included	No
Guard Type	N/A
Height	N/A
Length	N/A
Material - Guard	N/A
Net Weight	35.833/g
Packaging Type	Carton
Socket Construction	N/A

Electrical

Bulb Type	Fluorescent
Lamp Type	PL13/41
Lamp Wattage - Maximum	N/A
On/Off Switch	No
Voltage (Fixture) - Maximum	N/A

Material Info

Engineering Number	34-0350
--------------------	---------



Series image - Reference only

EU ELV

Not Relevant

EU RoHS

Not Reviewed

REACH SVHC

Not Reviewed

Halogen-Free

Status

Not Reviewed

Need more information on product environmental compliance?

Email productcompliance@molex.com
Please visit the [Contact Us](#) section for any non-product compliance questions.

China ROHS

Not Reviewed

ELV

Not Relevant

RoHS Phthalates

Not Reviewed

Search Parts in this Series

[130191](#) Series