

PLEASE CHECK WWW.MOLEX.COM FOR LATEST PART INFORMATION

Part Number: [1300390336](#)
Status: **Active**
Overview: [DeviceNet Solutions](#)
Description: DeviceNet Micro-Change (M12) Pass-Through 4 Port

Documents:

[Drawing \(PDF\)](#) [RoHS Certificate of Compliance \(PDF\)](#)

Agency Certification

UL E152210

General

Product Family Passive Distribution Boxes
 Series [130039](#)
 IP Rating IP67
 NEMA Rating NEMA 6
 Overview [DeviceNet Solutions](#)
 Product Name DeviceNet, Micro-Change (M12)
 UPC 78678889504

Physical

Bus I/O Mini-Change
 Cable Connector Orientation N/A
 Cable Length N/A
 Home Run Cable Length N/A
 Home Run Connector N/A
 Home Run Interface N/A
 Keyway Single
 LED Indicator No
 Material - Cable Jacket PVC
 Material - Housing PBT
 Orientation Side Mount
 Poles 5
 Poles (wired) 4
 Ports 2
 Temperature Range - Operating 0°C to +60°C
 Wiring Configuration Single I/O per Port

Electrical

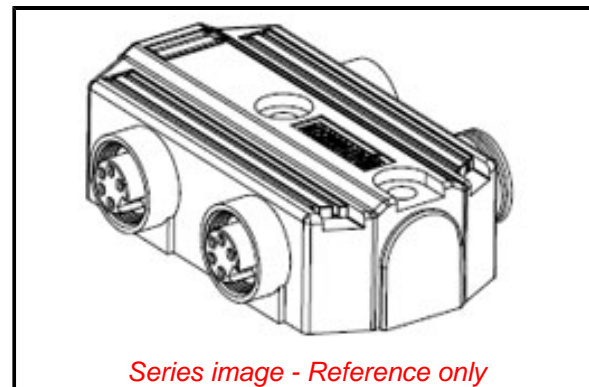
Current - Maximum per Contact 7.0A
 Functional Wiring Parallel
 Voltage - Maximum 120V AC/DC

Material Info

Engineering Number DN2100

Reference - Drawing Numbers

Sales Drawing SD-130039-008



Series image - Reference only

EU ELV

Not Relevant

EU RoHS

Compliant with Exemption 6(c)

REACH SVHC

Not Contained Per - ED/108/2014 (17 Dec 2014)

Halogen-Free

Status

Not Low-Halogen

Need more information on product environmental compliance?

Email productcompliance@molex.com
 Please visit the [Contact Us](#) section for any non-product compliance questions.

China ROHS	50 Image
ELV	Not Relevant
RoHS Phthalates	Contained: DEHP

Search Parts in this Series

[130039](#) Series