



Catalog Number: U8606-RXL-CECHA  
Item Description: 200A 7T RL HD LVR OU  
UPC Code: 784572142312

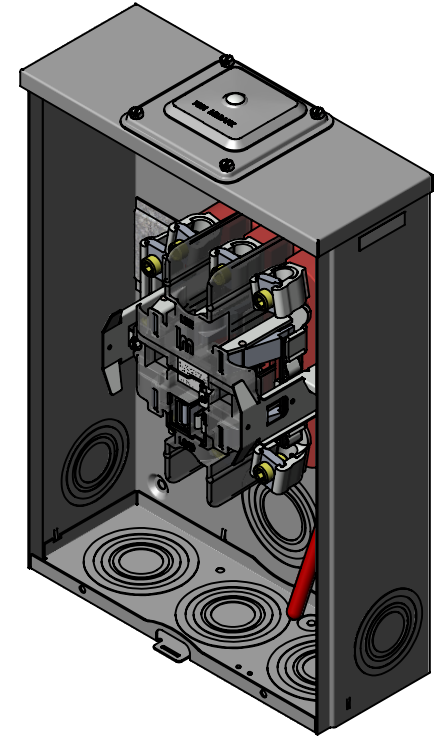
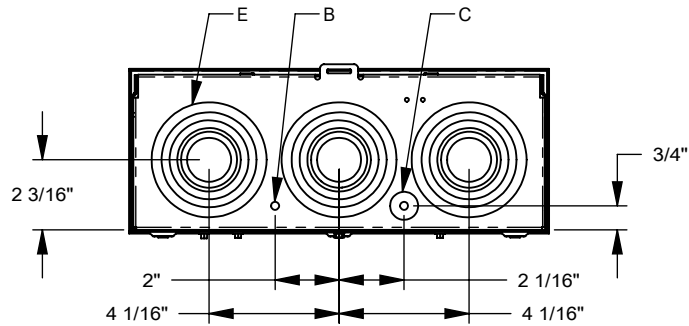
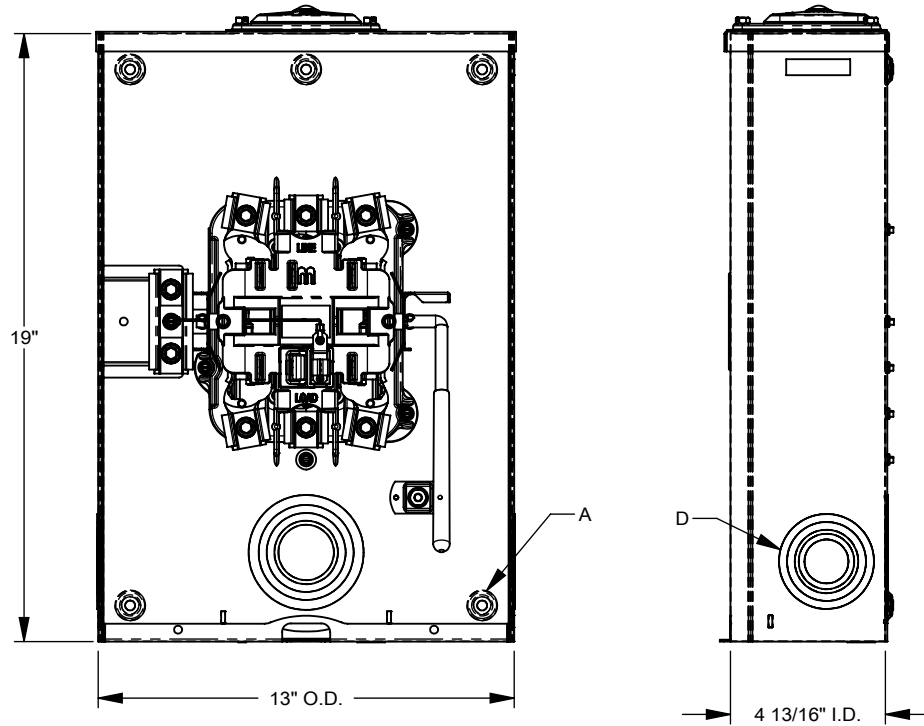
Brand Name: Milbank  
Type: Ringless Meter Socket  
Application: Meter Socket  
Standard: UL Listed  
Voltage Rating: 600 Volts Alternating Current  
Amperage Rating: 200 Continuous Ampere  
Phase: 3 Phase  
Frequency Rating: 60 Hertz  
Number Of Cutouts: 0  
Cable Entry: Overhead and Underground  
Terminal: Lay in Line Side and Lay in Load Side  
Mounting: Surface Mount  
Enclosure: Type 3R, G90 Galvanized Steel with Powder Coat Finish



Additional Specifications: Number of Jaws:7 Terminal  
Hub Opening and Closing Plates:Large Hub Opening Adapted To Small Closing Plate  
Hub Opening and Closing Plates:Large Hub Opening Adapted To Small Closing Plate  
Hub Opening and Closing Plates:Large Hub Opening Adapted To Small Closing Plate  
Hub Opening and Closing Plates:Large Hub Opening Adapted To Small Closing Plate  
Hub Opening and Closing Plates:Large Hub Opening Adapted To Small Closing Plate

*Utility requirements may vary. Always consult the serving utility for their requirements prior to ordering or installing this equipment. This product must always be installed by a licensed electrician. Installation of this equipment may require local electrical inspector approval.*

| FEATURE TABLE |     |                             |
|---------------|-----|-----------------------------|
| ITEM          | QTY | DESCRIPTION                 |
| A             | 5   | U/L MNTG.EMBOSS             |
| B             | 1   | ¼ SOLID K.O.                |
| C             | 1   | ¼, ½ CONC. K.O.             |
| D             | 2   | 1, 1¼, 1½, 2, 2½ CONC. K.O. |
| E             | 4   | 1¼, 1½, 2, 2½, 3 CONC. K.O. |



Version:

1

All dimensions are +/- 1/16".  
 Drawing views are not to scale.  
 Utility requirements for this equipment may vary. Always consult the serving utility for their requirements prior to ordering or installing this equipment. This product must be installed by a licensed electrician. Installation of this equipment may require local electrical inspector approval.