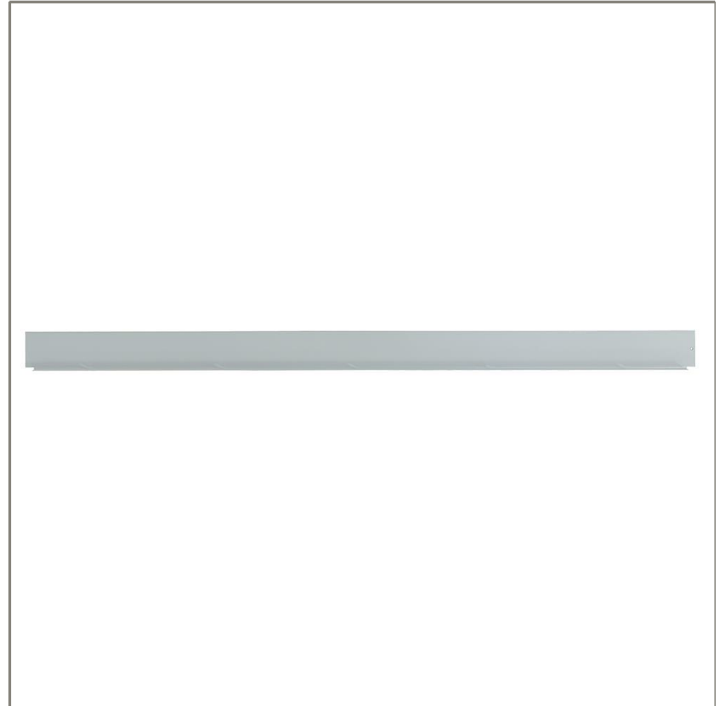




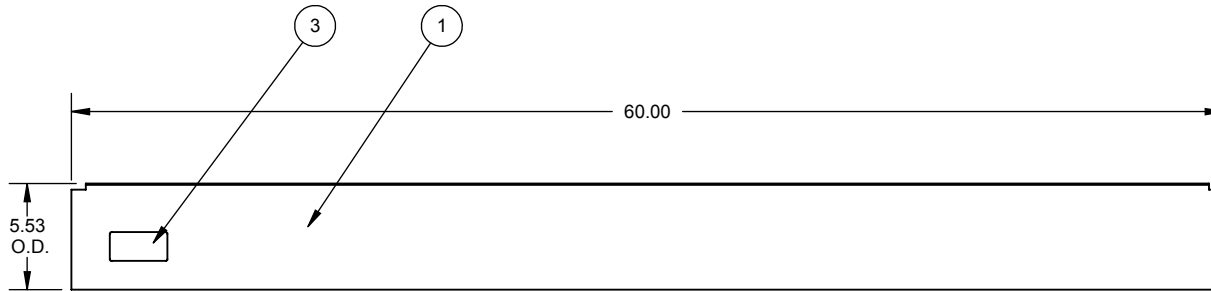
Catalog Number: A-BK660  
Item Description: WIREWAY ACCESSORY  
UPC Code: 784572184091

Brand Name: Milbank  
Type: Wireway Barrier  
Application: Enclosure Accessory  
Material: Steel  
Shape: Rectangle  
Color: ANSI 61 Gray  
Mounting: Screw Mount

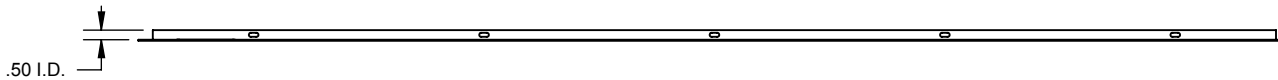
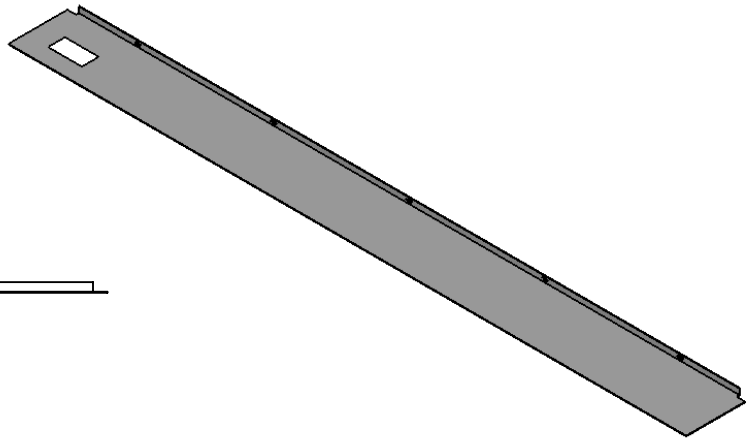


*Utility requirements may vary. Always consult the serving utility for their requirements prior to ordering or installing this equipment. This product must always be installed by a licensed electrician. Installation of this equipment may require local electrical inspector approval.*

ITEM	QTY.	PART NUMBER	DESCRIPTION
1	1	1002338	BARRIER
2	1	1002880	BAG ASS'Y
3	1	1002946	LABEL (NEMA SERIES)


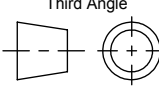


3  
NOT SHOWN



NOTE:

1. ATTACH BAG ASS'Y TO ENLOSURE. (NOT SHOWN)
2. WHEN SOLD AS (RC)- PREFIX USE LABEL #1125251 INSTEAD OF #1002946

Material:	SEE PARTS		 General Offices: Kansas City, MO
Shear/ Die#:			
Finish:	MILBANK LIGHT GRAY		Title: BARRIER ASSEMBLY KIT 60.00"
Part Wt.:			Catalog No.:
Tolerances: Unless Specified Otherwise X.X ±.1 X.XX ±.03 X.XXX ±.015 X" ±2"		Third Angle 	Customer:
Scale:	NTS	Checked By:	Drawing No.: 1002420
Drawn By:	CMW	Approved By:	Date: 10-17-08 Sheet 1 of 1

REV	DATE	DESCRIPTION	BY
G2	10-17-08	(NEW DRAWING mECO #17765) (UPDATE TO M2K)	CMW