

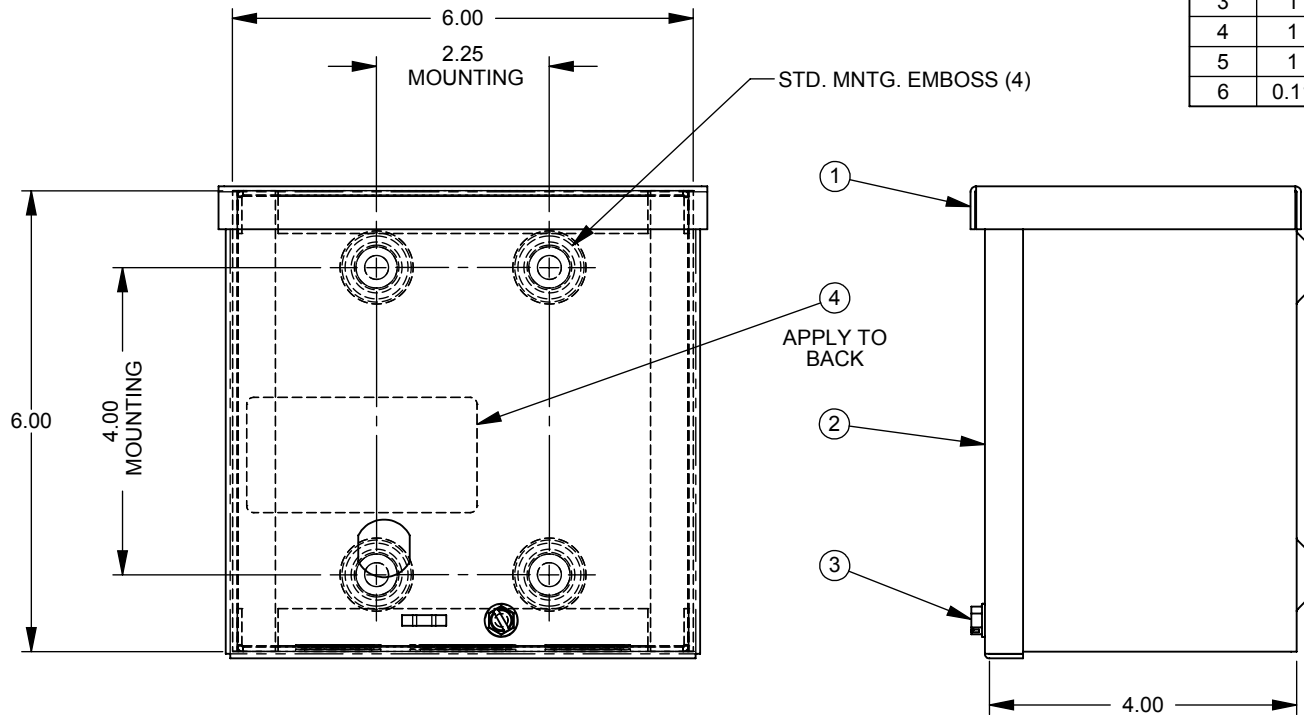


Catalog Number: 664-SC3R
Item Description: N3R SCREW COVER ENCL
UPC Code: 784572108059

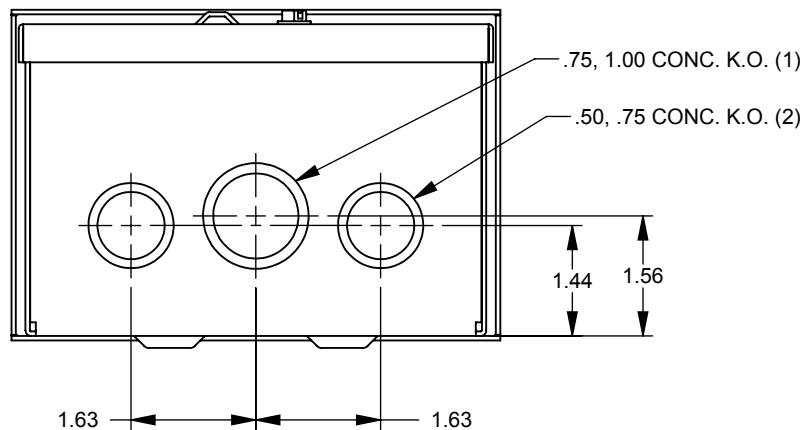
Brand Name: Milbank
Type: Screw Cover
Special Features: Drip Shield Top, Cover Secured with Plated Screw, Mounting Embosses on Enclosure Back
Application: Enclosure for Mounting Electrical Equipment
Standard: UL Listed
Number Of Outlet: 0
Material: Steel with Powder Coat Finish
Color: ANSI 61 Gray
Mounting: Wall Mount
NEMA Rating: Type 3R



Utility requirements may vary. Always consult the serving utility for their requirements prior to ordering or installing this equipment. This product must always be installed by a licensed electrician. Installation of this equipment may require local electrical inspector approval.


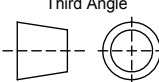


ITEM	QTY.	PART NUMBER	DESCRIPTION
1	1	(SEE CHART)	BACK WELDMENT
2	1	(SEE CHART)	FRONT
3	1	1001290	SCREW, 10-32 X 5/16
4	1	(SEE CHART)	LABEL (UL)
5	1	1002170	BAG OF NEMA SCREWS
6	0.11	1002133	CARTON 9-PER (NOT SHOWN)



CAT. NO.	BACK WELDMENT	FRONT	LABEL
664-SC3R	1135537	1002108	1002135
664-SC3R-NK	1011196	1002108	1002135
664-SC3R-NK-SP1	1011196	1135538	1002135
RC-664-SC3R	1135537	1002108	1125021
SPRSC-664	1135537	1002108	1132714

NOTES:
 1.) BAG ASSY TO BE SHIPPED INSIDE OF EACH ENCLOSURE.
 2.) WHEN SOLD WITH "R" PREFIX, APPLY STANDARD CARTON LABEL SHOWING QUANTITY OF 1 TO THE WRAPPING OF EACH UNIT. APPLY STANDARD CARTON LABEL TO CARTON SHOWING QUANTITY OF 9.

Material:	16 GA. STEEL		 General Offices: Kansas City, MO	
Shear/ Die#:				
Finish:	MILBANK LIGHT GRAY		Title:	SCREW COVER ENCLOSURE TYPE 1
Part Wt.:			Catalog No.:	(SEE CHART)
Tolerances: Unless Specified Otherwise X.X ±.1 X.XX ±.03 X.XXX ±.015 X* ±2*		Third Angle 		Customer:
Scale:	NTS	Checked By:	Drawing No.: 1002130	
Drawn By:	D.F.	Approved By:	Date:	9/30/08 Sheet 1 of 1

REV	DATE	DESCRIPTION	BY
E3	9/30/08	CHART -NK & -NK-SP1; REDRAW INTO SOLIDWORKS (ECO #17712)	D.F.
E4	12/5/11	UPDATE RETAIL NOTE (ECO #21645)	D.F.
E5	5/16/12	NOTE 2: "THE WRAPPING" WAS "SHRINK WRAP" (ECO #22340)	D.F.