



TRAC-MASTER®

Mounting Accessories

MONOPOINTS and SPECIAL MOUNTINGS

Project: _____

Fixture Type: _____

Location: _____

Contact/Phone: _____

PRODUCT DESCRIPTION

Special adapters permit the flexibility of mounting trac lights in various ways to meet special requirements.

Line Voltage Monopoint Adapters

Example: T40N BL

T40N BL, SL, WH	T40F BL, SL, WH	T41N BL, WH	T42N BL, WH
<p>Monopoint Adapter</p> <p>Mounts directly to outlet box. Accepts one 120V Juno trac fixture.</p>	<p>Flush Monopoint Adapter</p> <p>Mounts directly to 4" outlet box only. Accepts one 120V Juno trac fixture with <u>standard size</u> trac adapter.</p>	<p>Duo-Point Adapter</p> <p>Mounts directly to an outlet box. Accepts two 120V Juno trac fixtures.</p>	<p>Weighted Base</p> <p>For portable use. Supplied with 8' cord and plug. Accepts one 120V Juno trac fixture.</p>

T46	T57N WH
<p>Clamp/Monopoint Adapter</p> <p>Clamps to pipe or planking up to 2-1/2" thick. Accepts one 120V Juno trac fixture. Supplied with 8' three-wire cord and plug.</p>	<p>Monopoint Line Voltage Cover</p> <p>Attaches one 120V trac fixture directly to Juno's 6" recessed universal housings.</p>

Line Voltage Coil – Cord Clamp-Ons

Example: T132 WH

T132 BL, WH	T132 WA BL, WH	T133 BL, WH	T133 WA BL, WH
<p>120V Monopoint with Trac Adapter</p> <p>120V Monopoint with trac adapter for electrical connection to Trac. Accepts one 120V Juno trac fixture with <u>standard size</u> trac adapter.</p>	<p>120V Monopoint with Trac Adapter</p> <p>Same as T132 but accepts one 120V Juno Trac fixture with wide trac adapter.</p>	<p>120V Monopoint with Male Plug</p> <p>120V Monopoint with male plug (120V) attaches to receptacle. Accepts one 120V Juno trac fixture with <u>standard size</u> trac adapter.</p>	<p>120V Monopoint with Male Plug</p> <p>Same as T133 but accepts one 120V Juno Trac fixture with wide trac adapter.</p>
<p>2' Coil Cord extends to 5'. 1-3/4" Clamp opening.</p>			

TRAC-MASTER®

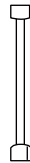
Mounting Accessories

MONOPOINTS and SPECIAL MOUNTINGS

Line Voltage Extension Wands

Examples: TEW 12IN BL, TEWS WH WA

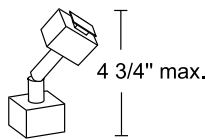
TEW	TEW WA	TEWS	TEWS WA
12IN, 18IN, 24IN, 36IN, 48IN	12IN, 18IN, 24IN, 36IN, 48IN		
BL, SL, WH	BL, SL, WH	BL, SL, WH	BL, SL, WH
<p>Line Voltage Extension Wands</p> <p>For use with one or two circuit trac and line voltage monopoints. Accepts one 120V Juno trac fixture with <u>standard size</u> trac adapter.</p>	<p>Line Voltage Extension Wands</p> <p>Same as TEW but accepts one 120V Juno trac fixture with <u>wide</u> trac adapter.</p>	<p>24" Wand Slope Adapter</p> <p>Accepts one 120V Juno trac fixture with <u>standard size</u> trac adapter.</p>	<p>24" Wand Slope Adapter</p> <p>Same as TEWS but accepts one 120V Juno trac fixture with <u>wide</u> trac adapter.</p>



Line Voltage Slope Ceiling Adapter

Examples: T95 BL, T95 WH WA

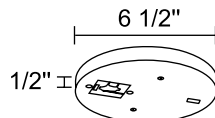
T95	T95 WA
BL, BZ, SL, WH	BL, BZ, SL, WH
<p>Slope Ceiling Adapter</p> <p>Attaches to trac, permitting Trac-Master or Trac-Lites Trac fixtures with <u>standard size</u> trac adapter to be hung vertically from sloped ceiling. 90° maximum adjustable</p>	<p>Slope Ceiling Adapter</p> <p>Same as above but accepts one 120V Juno Trac fixture with <u>wide</u> trac adapter.</p>



T252L, R Series Low Voltage Monopoint Adapters

Example: T58 BL

T58
BL, SL, WH
<p>Monopoint Adapter</p> <p>For T252L or Trac-Lites R Series Low-Voltage Power Packs. Mounts directly to outlet box. Adapter is offset to accept compatible styles. Power Pack latch locks in detent.</p>



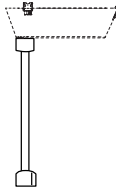
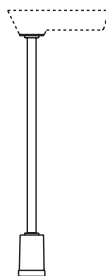
TRAC-MASTER®

Mounting Accessories

MONOPOINTS and SPECIAL MOUNTINGS

Low Voltage Extension Wands

Examples: TWL 12IN BL, TWLED 18IN WH

TWL12	TWLED
12IN, 18IN, 24IN, 36IN, 48IN	12IN, 18IN, 24IN, 36IN, 48IN
BL, SL, WH	BL, SL, WH
<p>Low Voltage Extension Wands</p> <p>Accepts one Juno 12V low voltage spotlight. Attaches to T537 Power Pack.</p> 	<p>T252L Extension Wands</p> <p>Attaches between T252L fixture housing and LED driver housing to move the light source closer to illumination point without lowering the trac mounting height.</p> 

Steel Safety Cable (Lanyard) Example: TSSC 18IN

TSSC
18IN
<p>Steel Safety Cable (Lanyard)</p> <p>18" steel safety cable (lanyard) may be used to secure trac fixture to trac, to protect it against falling into space if fixture accidentally becomes disengaged from trac.</p> 