

Installation Instructions

KAD

**READ AND FOLLOW ALL SAFETY INSTRUCTIONS!
SAVE THESE INSTRUCTIONS AND DELIVER TO OWNER AFTER INSTALLATION**

IMPORTANT SAFETY INSTRUCTIONS

▲WARNING

To reduce the risk of death, injury or property damage from fire, electric shock, cuts, abrasions, falling parts, and other hazards:

- Service of the equipment must be performed by qualified service personnel.
- Installation and maintenance must be performed by a person familiar with the construction and operation of this product and any hazards involved. All applicable codes and ordinances must be followed.
- Read this document before installing, servicing, or maintaining this equipment or installing a lamp. These instructions do not cover all installation, service, and maintenance situations. If your situation is not covered, or if you do not understand these instructions or additional information is required, contact *Lithonia Lighting* or your local *Lithonia Lighting* Distributor.
- Read and follow all warnings and instructions provided by the lamp manufacturer.

▲WARNING

Before installing, servicing, or maintaining this equipment, follow these general precautions.

To reduce the risk of electrocution:

- Make sure the equipment is properly grounded.
- Always de-energize the circuit and/or equipment before connecting to, disconnecting from, or servicing the equipment.

To reduce the risk of fire:

- Keep material away that can burn from hot lamp.
- Make sure lamps are correctly installed.
- Use supply conductors with a minimum installation temperature rating as specified on equipment.

To reduce the risk of personal injury from cuts, abrasions, or falling parts:

- Wear gloves to prevent cuts or abrasions from sharp edges when removing from carton, handling and maintaining this equipment.
- Do not use abrasive materials, glass cleaners or other solvents on reflector or lens. These substances may damage equipment and cause parts to eventually break and fall.
- Do not install a damaged fixture.

▲CAUTION: Observe lamp manufacturer's recommendations and restrictions on lamp operation, including but not limited to ballast type, burning position, replacement and cycling. Use only lamps that comply with applicable ANSI standards.

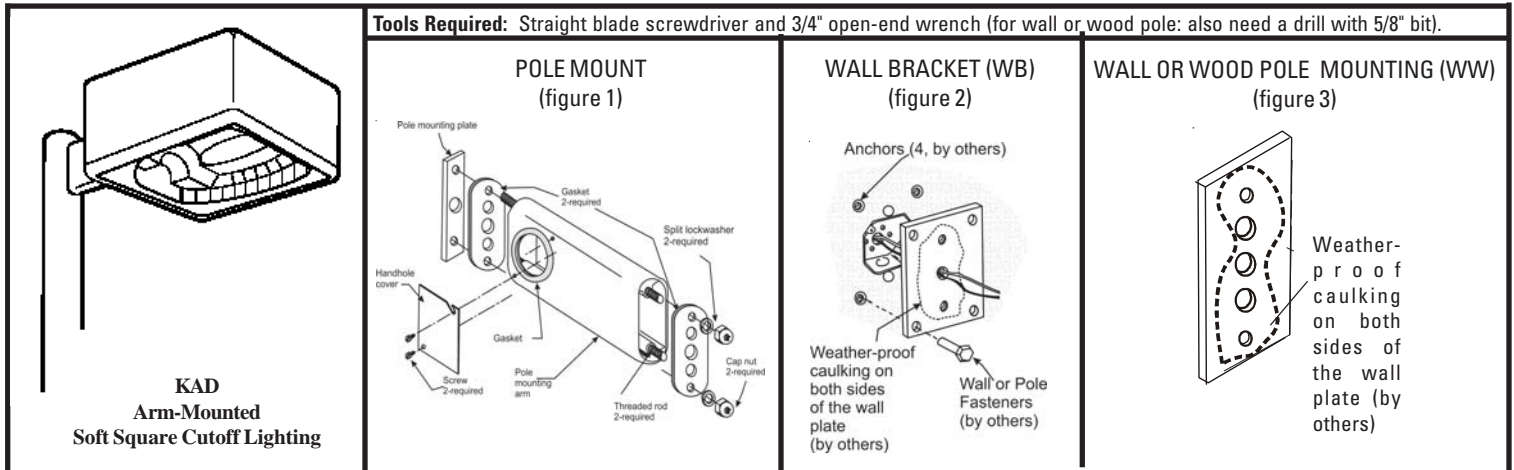
NOTICE: If lamp is marked  it contains mercury. Follow disposal laws. See www.lamprecycle.org

Lithonia Lighting, a division of *Acuity Brands Lighting*, Inc., assumes no responsibility for claims arising out of improper or careless installation or handling of this product.

SAVE THESE INSTRUCTIONS

Installation Instructions

KAD



Tools Required: Straight blade screwdriver and 3/4" open-end wrench (for wall or wood pole: also need a drill with 5/8" bit).

DELIVERY: Upon receipt of fixture and accessories (packed separately), thoroughly inspect for any freight damage. All damage should be reported to the delivery carrier. Compare the catalog description listed on the packing slip with the fixture label on the inside of the housing to be sure you have received the correct merchandise.

- Loosen the (2) two captive screws in the door assembly, allowing it to open and hang 90 degrees from the hinge pins. If desired, the door assembly can be removed by rotating it back and sliding the door to the right off the hinge pins.
- Loosen the (2) two 1/4-20 X 1/2" screws securing the reflector assembly to the housing (keep screws for re-installation). Remove the reflector assembly. (Do NOT allow the reflector assembly to hang by the wires. This will cause unnecessary tension and void all warranties.)
- Once the reflector assembly is free from housing, disengage the socket quick disconnect and remove from the fixture housing. This will give you access for mounting and wiring the fixture.
- Pole Mounting -** (See figure 1) Remove the top cap from pole, if in place. Insert the mounting plate inside pole or tenon adaptor, aligning the (3) three mounting holes in plate with the (3) three mounting holes provided on the pole. Slide the two 1/2" threaded rods (provided) through the top and bottom mounting holes in the pole and start to thread the rods into the matching holes in the mounting plate (three clockwise turns are sufficient). Place one of the gaskets (provided) over the threaded rods and against the pole. **Wall or Wood Pole Mounting -** Place mounting plate on mounting surface. For WB (see Figure 2), secure the mounting plate to the wall with four (4) (minimum) 1/2" to (maximum) 5/8" fasteners (by others). For WW (see Figure 3): mark first and fifth holes of plate; remove mounting plate and drill 5/8" hole at marked locations (minimum of 3/4" to accept fixture mounting rods); secure mounting plate to mounting surface (fasteners not provided) using second and fourth holes. Insert the two threaded fixture mounting rods into mounting plate and turn to secure.

⚠ CAUTION: APPLY A CONTINUOUS BEAD OF WEATHER - PROOF CAULKING BETWEEN MOUNTING PLATE AND WALL TO ENSURE WEATHER - TIGHT INTEGRITY OF ELECTRICAL COMPONENTS.

- Slide arm over rods using the bolt guides inside the arm. Make certain radius-side of arm mounts toward pole. Place the one remaining gasket (provided) over the threaded rods and against the mounting arm.
- Position the mounting-side of the housing at the end of the arm and feed fixture wires through arm, pole backing plate, and out pole top. Align the holes with the threaded rods (provided) and insert the threaded rods into the fixture. Install 1/2" lockwashers and hex nuts (provided) on the ends of the threaded rods that are inside the fixture and tighten (do not over tighten; over tightening will cause stripping and void all warranties). Make sure fixture is mounted straight and square with pole.
- Make certain all power is disconnected prior to making wiring connections. Make all necessary wiring connections observing voltage and polarity. Ensure wires are not being pinched. Connect green ground wire from the fixture to field ground wire.

LAMP INSTALLATION AND RE-INSTALLATION: Verify the lamp is the correct source and wattage. Screw the lamp securely into the socket; back it out one or two turns, then screw lamp back in, making sure it is secure and properly seats lamp in the socket. Lamp at end of life should be promptly replaced. Failure to do so may cause damage to components.

OPTICAL ROTATION — SR2, SR3, SR4SC ONLY: **⚠ WARNING:** Burn Risk - Ensure lamp cools before performing maintenance. Open door assembly. Remove lamp. Gently pull reflector away from reflector skirt. Rotate optical assembly in 90 degree increments to desired light output as indicated by light distribution arrow on reflector. Insert reflector assembly back into opening by lining up the four ball studs and their receptacles and gently pushing down until all four ball studs click into place (you will hear an audible click). Reinstall lamp (see above). Close door assembly.

TB - Tapped Ballast - The tapped ballast will be wired for 277 volt at the factory. To wire a fixture that contains a tapped ballast, first determine correct line voltage. Then select the proper fixture voltage lead, remove crimped cap and connect to supply voltage lead. The fixture lead marked COM should then be connected to the neutral supply lead on all multi-voltage, be sure to cap off all unused fixture leads individually.

PD - Power Door (SR2, SR3, SR4SC ONLY) - This option offers all electrical components to be mounted to a modular, removable power door. Assembly is complete with quick disconnect plugs to and from reflector and incoming power.

WTB - Terminal Block - Tools required: Straight blade screwdriver (WTB will accept 16 AWG - 4 AWG)
Without PD: 1. Insert correct ballast leads to one side of WTB. Secure by tightening the appropriate screws. Place the corresponding incoming line voltage leads, being sure to observe proper polarity and voltage. Secure by tightening screws. 2. Cap off any unused tap ballast taps with wire nuts and secure away from any exposure to the WTB. (See above for TB option).
With PD: The WTB comes prewired with mating plug for connection with PD. 1. Disconnect supplied incoming power leads from WTB and discard. 2. Route incoming power supply leads under the PD. Insert the proper, corresponding leads into the WTB, being sure to observe proper polarity and voltage. Secure by tightening screws.

TROUBLESHOOTING - If this fixture fails to operate properly, check to make sure: • The correct lamp is properly installed. • The fixture is wired correctly. • The lamp is not faulty. • The fixture is grounded correctly. • The line voltage at the fixture is correct.