

Catalog Number
Notes
Type

FEATURES & SPECIFICATIONS

INTENDED USE — Acrylic prismatic diffuser with sonic-welded, injection-molded, luminous ends. Matches LB series in appearance. **Certain airborne contaminants can diminish the integrity of acrylic and/or polycarbonate.** [Click here for Acrylic-Polycarbonate Compatibility table for suitable uses.](#)

Linear side prisms control brightness, pyramidal bottom prisms minimize lamp image.

Continuous, interlocking diffuser support prevents accidental opening and simplifies maintenance.

For ceiling surface or stem mounting, individual or row installation. Snap-in couplers permit row mounting without tools.

Available in tandem-wired lengths.

Guaranteed for one year against mechanical defects in manufacture.

CONSTRUCTION — Housing formed from cold-rolled steel. No asbestos is used in this product.

Thermally protected, resetting, Class P, HPF, non-PCB, UL listed, CSA certified ballast is standard. Ballasts are sound rated A. Standard combinations are CBM approved and conform to UL 935.

Finish: High-gloss, baked white enamel finish. Five-stage iron-phosphate pretreatment ensures superior paint adhesion and rust resistance. Painted parts finished with high-gloss, baked white enamel.

ELECTRICAL — Fixture conforms to UL 1570 and is suitable for damp locations. AWM, TFN or THHN wire used throughout, rated for required temperatures.

Luminaire Efficacy Rating (LER) and Annual Energy Cost:

Two-lamp LER.FW = 66. Annual Energy Cost = \$3.64.

Based on 32W T8 lamp, 2850 lumens, and energy-saving electronic ballast. Ballast factor = .88, input watts = 61.

Calculated in accordance with NEMA standard LE-5.

LISTINGS — UL Listed to US and Canadian safety standards (see Options). NOM certified (see Options).

WARRANTY — 1-year limited warranty. Complete warranty terms located at:

www.acuitybrands.com/CustomerResources/Terms_and_conditions.aspx

NOTE: Actual performance may differ as a result of end-user environment and application.

Specifications subject to change without notice.

Corridor Wraparound

CB

2', 4' or 8' length
1 or 2 lamps



ORDERING INFORMATION

Lead times will vary depending on options selected. Consult with your sales representative.

Example: CB 2 32 MVOLT GEB10IS

CB				
Series	Number of lamps	Lamp type	Voltage	Options
CB Corridor wraparound	1	17 17W T8 (24")	347	GEB10IS Electronic ballast, ≤10% THD, instant start
For tandem double-length unit, add prefix T. Example: TCB ¹	2	28T5 28W T5 (48") ²	MVOLT	GEB10PS Electronic ballast, ≤10% THD, program start
	Not included.	32 32W T8 (48")	Others available.	EL Emergency battery pack (nominal 300 lumens See Life Safety Section)
				GLR Internal fast-blow fuse ³
				GMF Internal slow-blow fuse ³
				RIF1 Radio interference filter (one per fixture)
				CSA Listed and labeled to comply with Canadian standards
				NOM NOM certified

Accessories: Order as separate catalog number.	
SQ	Swivel-stem hanger (specify in 2" increments)
1B	Ceiling spacer (adjusts from 1-1/2" to 2-1/2" from ceiling)
DSH24	Double stem hanger for 4' fixtures, 24" stems
HRC	Hooker® T-bar hanger (flush to ceiling)
HRC1	Hooker® T-bar hanger (1-1/2" from ceiling)

Notes

- T5 lamps in tandem fixtures will have approximately 2" dark spot in center due to T5 socket extenders.
- T5 wattage requires GEB10PS ballast.
- Specify voltage.

CB Corridor Wraparound

MOUNTING DATA

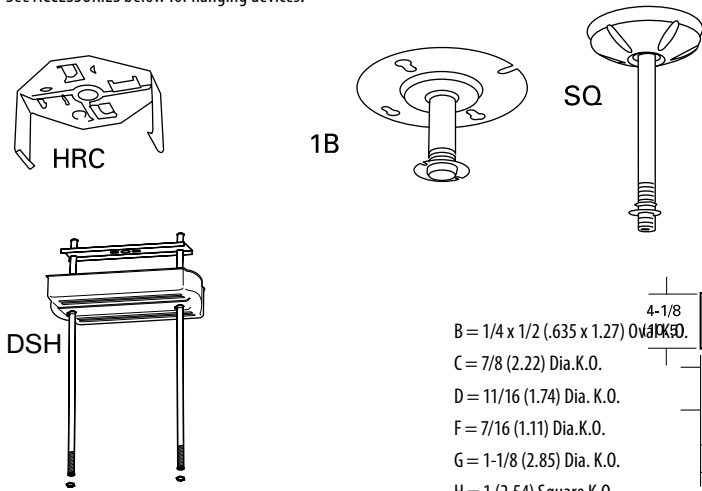
For unit or row installation, surface or stem mounting. Stem mounting not available on TCB units.

Unit installation — One double-stem (4' only) or two single-stem hangers required.

Row installation — One hanger per fixture plus one per row required.

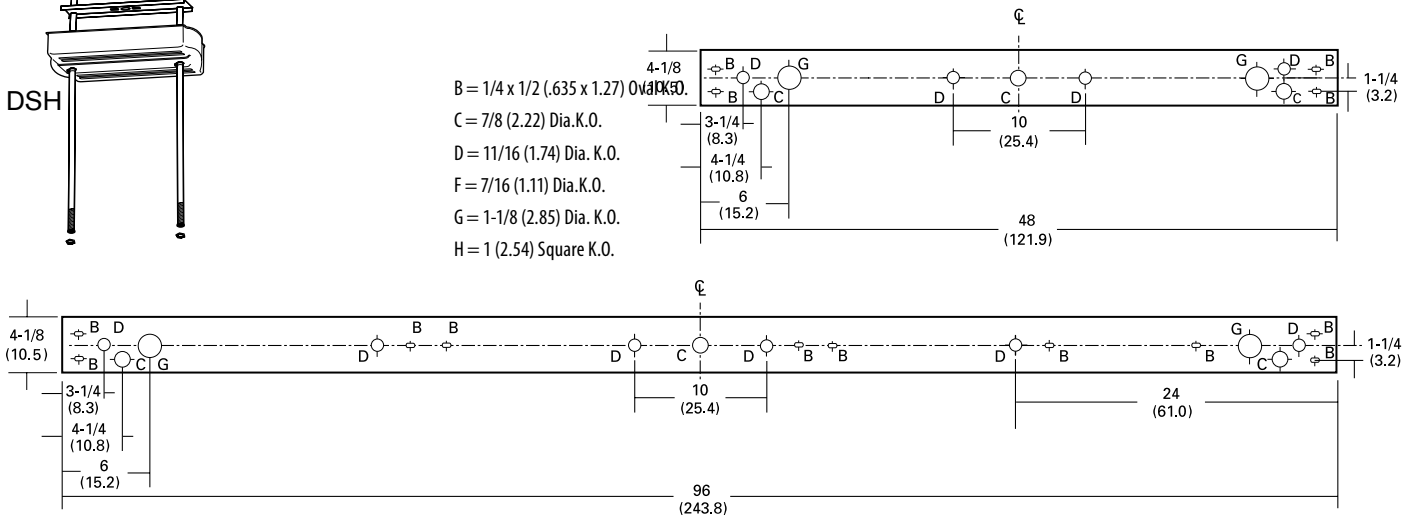
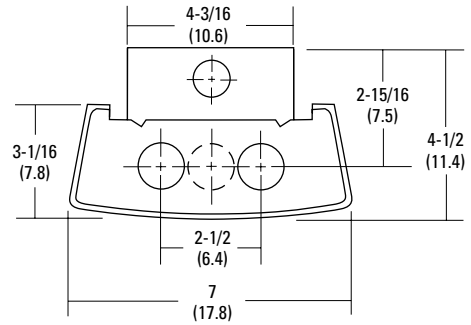
Hooker® (HRC) Hangers — Minimum two per channel (unit and row).

See ACCESSORIES below for hanging devices.



DIMENSIONS

All dimensions are inches (centimeters) unless otherwise indicated.



PHOTOMETRICS

Calculated using the zonal cavity method in accordance with IESNA LM41 procedure. Floor reflectances are 20%. Lamp configurations shown are typical. Full photometric data on these and other configurations available upon request.

CB 132

Report LTL5652 – Lumens per lamp = 2900

S/MH (along) 1.3, (across) 1.4

Coefficient of Utilization

Ceiling Wall	80%			70%			50%			0%		
	70%	50%	30%	70%	50%	30%	50%	30%	10%	0%	0%	
0	98	98	98	93	93	93	85	85	85	68		
1	88	83	79	84	80	76	73	70	67	54		
2	80	73	67	76	69	64	64	59	55	45		
3	73	64	57	69	61	55	56	51	47	38		
4	67	57	50	64	55	48	50	45	40	33		
5	61	51	43	58	49	42	45	39	34	28		
6	57	45	38	54	44	37	40	34	30	25		
7	52	41	33	50	39	32	36	30	26	21		
8	48	37	29	46	35	29	33	27	23	19		
9	44	33	26	42	32	25	29	24	20	16		
10	41	30	23	39	29	23	27	21	17	14		

CB 232

Report LTL5649– Lumens per lamp = 2900

S/MH (along) 1.3, (across) 1.4

Coefficient of Utilization

Ceiling Wall	80%			70%			50%			0%		
	70%	50%	30%	70%	50%	30%	50%	30%	10%	0%		
0	92	92	92	88	88	88	80	80	80	64		
1	83	79	75	79	75	72	69	66	64	51		
2	75	69	63	72	66	61	60	56	53	43		
3	69	61	54	66	58	52	53	49	45	37		
4	63	54	47	60	52	46	48	43	38	32		
5	58	48	41	55	46	40	43	37	33	27		
6	54	43	36	51	41	35	38	33	29	24		
7	49	39	32	47	37	31	35	29	25	21		
8	46	35	28	43	34	27	31	26	22	18		
9	42	31	25	40	30	24	28	23	19	15		
10	39	28	22	37	27	22	26	20	17	14		

Zonal Lumens Summary

Zone	Lumens	%Lamp	%Fixture
0-30	504	17.4	20.3
0-40	839	28.9	33.8
0-60	1413	48.7	57.0
0-90	1960	67.6	79.0
90-180	521	18.0	21.0
0-180	2481	85.6	100.0

Zonal Lumens Summary

Zone	Lumens	%Lamp	%Fixture
0-30	975	16.8	20.9
0-40	1625	28.0	34.9
0-60	2722	46.9	58.4
0-90	3691	63.6	79.2
90-180	972	16.8	20.9
0-180	4663	80.4	100.0