



Class I, Div. 1 & 2  
Zones 1 & 2

# KILLARK®



## EXPANDING RANGE of HARSH & HAZARDOUS LED LUMINAIRES and SYSTEMS



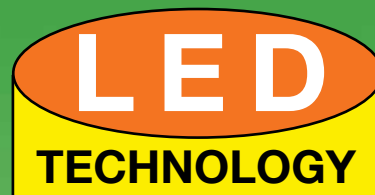
**LED**  
MINI-CATALOG



Scan QR Code with  
your mobile device



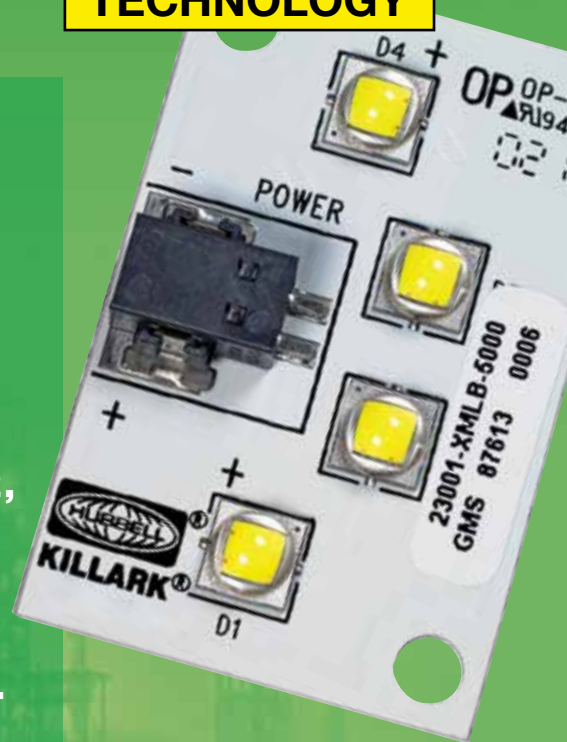
# EVER EXPANDING RANGE of HARSH & HAZARDOUS LED LUMINAIRES and SYSTEMS



From basic Utility Luminaires to complex Egress Lighting Systems, Killark is a major provider of LED labor and energy saving products for harsh and hazardous locations.

Market demand for this long life, clean white light is growing exponentially. Killark is there with a range of products for Class I, Div. 1 & 2, Zones 1 and 2, plus Class II applications.

Killark also satisfies the need for wet and corrosive environments with NEMA 4X ratings.



## **QUICK LOCATOR** TO LED PRODUCTS IN THIS MINI-CATALOG

 <p>Series - VSL/DVL Utility Lights CID2/C2D1 Starts on page 1</p>	 <p>Series - MBL Compact Size CID2/Zone 2 Starts on page 10</p>	 <p>Series - VM1L Reduced Profile CID2/Zone 2 Starts on page 15</p>
 <p>Series - VM2L/4L High Wattage CID2/Zone 2 Starts on page 21</p>	 <p>Series - EML Explosion-Proof CID1/Zone 1 Starts on page 33</p>	 <p>Series - KFLC Compact Flood CID2/Zone 2 Starts on page 37</p>
 <p>Series - KFL Flood Light CID2/Zone 2 Starts on page 39</p>	 <p>Series - KF1L Explosion-Proof CID1/Zone 1 Starts on page 41</p>	 <p>Series - EBS Egress Lighting CID1/Zone 1 Starts on page 43</p>

LED Lighting Range - Back Cover

Lighting Design Software - Inside Back Cover

Lighting Photometry - On Website



**KILLARK**



Class I, Div. 2, Groups A,B,C,D  
Class I, Zone 2, Groups IIC,IIB,IIA  
Class II, Div. 2, Groups F,G<sup>①</sup>  
Class III  
Suitable for wet locations  
Enclosure Type 4<sup>①</sup>

Certified - File LR11713

## FEATURES-SPECIFICATIONS

[RETURN to Index](#)

### V SERIES LED

#### Introduction

Killark 'VSL' Series LED fixtures are designed for installations where moisture, dirt, dust, corrosion and vibration may be present, or NEMA 3 and 4 areas where wind, water, snow or high ambi-ents can be expected. VSL's are sized to replace "Utility" type fixtures (incandescent or CFL's) in hallways, closets, elevator pits, docks, stairwells, access tunnels, and mechanical rooms. These fixtures can be used in locations made hazardous by the presence of flammable vapors or gases or combustible dusts as defined by the NEC. Typical applications include manufacturing plants, and certain chemical and petrochemical processing facilities, sewage treatment plants, off-shore and dockside installations, and garage areas.

#### LED Luminaire Features and Standards

- Compact in Size with Traditional Industrial Appearance and Suitability
- Wide variety of optics including glass globes (clear and tempered, color) plus polycarbonate globes in clear and colors
- Optional Mounting arrangements including Pendant, Wall, Ceiling, Stanchion and Adapters
- Fixtures available unit packed, order option CP
- VSL LED Housings can be retrofitted to existing V Series splice boxes; upgrade from CFL or incandescent
- Energy Savings - less than 13 Watts of Power; less than 16 Watts for VSL1630. Replaces 75W or higher incandescent
- Long Life - 60,500+ maintenance-free hours to 70% initial lumens
- Crisp White Light for Excellent Color Rendering - Chromaticity 5000K (CCT); 70 CRI
- Integral driver - maintains fixture's compact profile to fit in existing spaces
- Ambient suitability -40°C to 55°C<sup>②</sup>

- Instant on - including after power interruption
- "World Voltage" 120-277VAC 50/60Hz
- Solder-LESS LED Board Connections – Vibration Resistant
- LM80-08\* Measurement of lumen maintenance for LED light sources
- LM79-08\* Certified "Absolute" Photometry, including Chromaticity Color for Solid State Lighting
- TM-21\* method to project long term lumen maintenance
- L70 Values - Industry Nomenclature for Hours of use to 70% of Initial Lumens

#### Compliances

- UL-8750 for LED lighting
- UL 1598 standard for luminaires
- UL-844 Standard for lighting fixtures for hazardous locations, Class I, Division 2; Class II, Division 2; Class III, Division 2
- CSA C22.2 no. 137-M1981 electric luminaires for use in hazardous locations
- Enclosed and gasketed
- NEMA 3, 4

#### Materials

- Body, splice box and guards are corrosion resistant copper-free aluminum alloy
- Baked powder epoxy/polyester finish, electrostatically applied for complete, uniform corrosion protection
- Reflectors - Polypropylene for pendant or ceiling applications
- Heavy-duty silicone gasketing for NEMA 4 requirements

\* LM-xx & TM-21 are Illumination Engineering Society Standards designed to promote uniformity in testing procedures among test labs and manufacturers. For more information go to [www.ies.org](http://www.ies.org)

① When mounted (globe down) to V series boxes; not Class II, Div. 2 or NEMA 4 on VBA, VFPS, VB or VFL adaptors to sheet metal boxes.

② Glass globe models to 55°C; Polycarbonate suitable to 40°C.

#### Optic Selection Examples

- Broadest **COLOR** globe offering for Hazardous Locations in the industry
- Use as status lights or specialty/emergency indicators



**KILLARK**

See [www.hubbell-killark.com](http://www.hubbell-killark.com) Lighting Software, for latest LED Photometry.



Clear Glass w/Guard

White Glass w/Guard

Blue Glass

Clear Polycarbonate

Red Polycarbonate



Class I, Div. 2, Groups A,B,C,D  
Class I, Zone 2, Groups IIC,IIB,IIA  
Class II, Div. 2, Groups F,G①  
Class III  
Suitable for wet locations  
Enclosure Type 4①

CSA US Certified - File LR11713

## V SERIES LED Catalog Number Logic

**VSL** **16** **30** **A1** **S** **G - B** **S**

**1** **2** **3** **4** **5** **6** **7** **8**

**VSL Series Constant** — 1, 2, 3, 4, 5

**Lamp Wattage** — 13 = 13W LED  
16 = 16W LED

**Voltage** — 30—120-277VAC (13W, 16W)  
27—12-24VDC (13W, 16W)  
34—120-250VDC (13W)

**Mounting Type** — NN—Mounr Ordered Separately  
A1—1/2" Pendant (VGA-1)  
A2—3/4" Pendant (VGA-2)  
F1—1/2" Ceiling w/Feet & Adapter (VBC-1 w/VBA)  
F2—3/4" Ceiling w/Feet & Adapter (VBC-2 w/VBA)  
X1—1/2" Ceiling (VGX-1)  
X2—3/4" Ceiling (VGX-2)  
C1—1/2" Ceiling (VGC-1)  
C2—3/4" Ceiling (VGC-2)  
H1—1/2" Ceiling Dead End (VGH-1)  
H2—3/4" Ceiling Dead End (VGH-2)  
D1—1/2" Ceiling Deep (VXA-1)  
D2—3/4" Ceiling Deep (VXA-2)  
D4—1-1/4" Stanchion (VD-4)  
RA—Round (Box) Adapter (VBA)  
SA—Square (Box) Adapter (VFPS)  
W1—1/2" Wall w/Feet (VBC-1 w/VB-1)  
W2—3/4" Wall w/Feet (VBC-2 w/VB-2)  
V1—1/2" Wall Elbow (VB-1)  
V2—3/4" Wall Elbow (VB-2)  
FL—Elbow for "V" Box (VFL)

**Reflector**  
S—Standard Reflector (Pendant or Ceiling Use Only)②  
CP— Component Pack③

**Optic Color (Optic Type)**  
A—Amber (S, H, P)  
B—Blue (S, H)  
R—Red (S, H, P)  
G—Green (S, P)  
P—Purple (S)  
BG—Blue Green (S, H)  
W—White (S)

**Guard**  
G—Guard (For Glass Globes Only)  
N—No Guard (Standard on Polycarbonate Globes)  
R—Guard Red (For Glass Globes Only)  
Can Signify Emergency UPS Circuits

**Optics\*\***  
S— Standard Globe (Clear)  
H— Heat Resistant (Tempered) Globe (Clear)  
P— Polycarbonate (Clear)

**COLORED GLOBE OPTIONS\*\* Example VSL1330A1SG-A**

SUFFIX AND AVAILABLE COMBINATIONS			
COLOR NUMBER	STANDARD GLOBE	TEMPERED GLOBE	POLYCARBONATE
Amber	A	A	A
Blue	B	B	—
Ruby	R	R	R
Green	G	—	G
Purple	P	—	—
Blue-Green	BG	BG	—
White	W	W	W



\*\* Use tempered glass or poly globe for wet location applications.  
① When mounted (globe down) to V series boxes; not Class II, Div.2 or NEMA 4 on VBA, VFPS, VB or VFL adaptors to sheet metal boxes.  
② Reflector is held on fixture body by VAG-100 guard for glass globe models or polycarbonate globe's shoulder. Reflectors ship separately.  
③ CP option includes complete fixture in components contained in single outer carton.





Class I, Div. 2, Groups A,B,C,D  
Class I, Zone 2, Groups IIC,IIB,IIA  
Class II, Div. 2, Groups F,G<sup>①</sup>  
Class III  
Suitable for wet locations  
Enclosure Type 4<sup>①</sup>

Certified - File LR11713

## ORDERING INFORMATION



PENDANT MOUNT WITH VGA SPLICE BOX 1 - HUB						
LED	Watts	Voltage	Hub Size	Fixture w/Standard Clear Glass Globe & Guard **	Fixture w/Tempered Clear Glass Globe & Guard **	Fixture w/Clear Polycarbonate Globe **
VSL1330	13	120-277VAC	1/2"	VSL1330A1SG	VSL1330A1HG	VSL1330A1PN
			3/4"	VSL1330A2SG	VSL1330A2HG	VSL1330A2PN
VSL1630	16	120-277VAC	1/2"	VSL1630A1SG	VSL1630A1HG	VSL1630A1PN
			3/4"	VSL1630A2SG	VSL1630A2HG	VSL1630A2PN



CEILING MOUNT WITH FEET USING VBC SPLICE BOX AND VBA ADAPTER 4 - HUBS						
LED	Watts	Voltage	Hub Size	Fixture w/Standard Clear Glass Globe & Guard **	Fixture w/Tempered Clear Glass Globe & Guard **	Fixture w/Clear Polycarbonate Globe **
VSL1330	13	120-277VAC	1/2"	VSL1330F1SG	VSL1330F1HG	VSL1330F1PN
			3/4"	VSL1330F2SG	VSL1330F2HG	VSL1330F2PN
VSL1630	16	120-277VAC	1/2"	VSL1630F1SG	VSL1630F1HG	VSL1630F1PN
			3/4"	VSL1630F2SG	VSL1630F2HG	VSL1630F2PN



CEILING MOUNT WITH VGX SPLICE BOX 4 - HUBS						
LED	Watts	Voltage	Hub Size	Fixture w/Standard Clear Glass Globe & Guard **	Fixture w/Tempered Clear Glass Globe & Guard **	Fixture w/Clear Polycarbonate Globe **
VSL1330	13	120-277VAC	1/2"	VSL1330X1SG	VSL1330X1HG	VSL1330X1PN
			3/4"	VSL1330X2SG	VSL1330X2HG	VSL1330X2PN
VSL1630	16	120-277VAC	1/2"	VSL1630X1SG	VSL1630X1HG	VSL1630X1PN
			3/4"	VSL1630X2SG	VSL1630X2HG	VSL1630X2PN



CEILING MOUNT WITH VGC SPLICE BOX - FEED THROUGH 2 - HUBS						
LED	Watts	Voltage	Hub Size	Fixture w/Standard Clear Glass Globe & Guard **	Fixture w/Tempered Clear Glass Globe & Guard **	Fixture w/Clear Polycarbonate Globe **
VSL1330	13	120-277VAC	1/2"	VSL1330C1SG	VSL1330C1HG	VSL1330C1PN
			3/4"	VSL1330C2SG	VSL1330C2HG	VSL1330C2PN
VSL1630	16	120-277VAC	1/2"	VSL1630C1SG	VSL1630C1HG	VSL1630C1PN
			3/4"	VSL1630C2SG	VSL1630C2HG	VSL1630C2PN

<sup>①</sup> When mounted (globe down) to V series boxes; not Class II, Div.2 or NEMA 4 on VBA, VFPS, VB or VFL adaptors to sheet metal boxes.  
\*\* Use tempered glass or poly globes for wet location applications. See logic page for available globe colors.



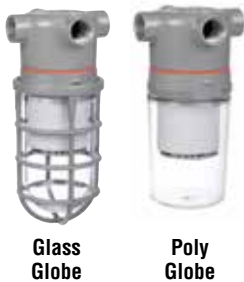
Class I, Div. 2, Groups A,B,C,D  
Class I, Zone 2, Groups IIC,IIB,IIA  
Class II, Div. 2, Groups F,GⓈ  
Class III  
Suitable for wet locations  
Enclosure Type 4Ⓢ

Certified - File LR11713

## ORDERING INFORMATION



CEILING MOUNT WITH VGH SPLICE BOX - DEAD END 1 - HUB						
LED	Watts	Voltage	Hub Size	Fixture w/Standard Clear Glass Globe & Guard **	Fixture w/Tempered Clear Glass Globe & Guard **	Fixture w/Clear Polycarbonate Globe **
VSL1330	13	120-277VAC	1/2"	VSL1330H1SG	VSL1330H1HG	VSL1330H1PN
			3/4"	VSL1330H2SG	VSL1330H2HG	VSL1330H2PN
VSL1630	16	120-277VAC	1/2"	VSL1630H1SG	VSL1630H1HG	VSL1630H1PN
			3/4"	VSL1630H2SG	VSL1630H2HG	VSL1630H2PN



CEILING MOUNT WITH VXA DEEP SPLICE BOX 5 - HUBS						
LED	Watts	Voltage	Hub Size	Fixture w/Standard Clear Glass Globe & Guard **	Fixture w/Tempered Clear Glass Globe & Guard **	Fixture w/Clear Polycarbonate Globe **
VSL1330	13	120-277VAC	1/2"	VSL1330D1SG	VSL1330D1HG	VSL1330D1PN
			3/4"	VSL1330D2SG	VSL1330D2HG	VSL1330D2PN
VSL1630	16	120-277VAC	1/2"	VSL1630D1SG	VSL1630D1HG	VSL1630D1PN
			3/4"	VSL1630D2SG	VSL1630D2HG	VSL1630D2PN



CEILING MOUNT WITH VBA ADAPTER FOR ROUND OUTLET BOX 0 - HUBS Ⓢ						
LED	Watts	Voltage	Hub Size	Fixture w/Standard Clear Glass Globe & Guard **	Fixture w/Tempered Clear Glass Globe & Guard **	Fixture w/Clear Polycarbonate Globe **
VSL1330	13	120-277VAC	-	VSL1330RASG	VSL1330RAHG	VSL1330RAPN
VSL1630	16	120-277VAC	-	VSL1630RASG	VSL1630RAHG	VSL1630RAPN



CEILING MOUNT WITH VFPS ADAPTER FOR SQUARE OR OCTAGON OUTLET BOX 0 - HUBS Ⓢ						
LED	Watts	Voltage	Hub Size	Fixture w/Standard Clear Glass Globe & Guard **	Fixture w/Tempered Clear Glass Globe & Guard **	Fixture w/Clear Polycarbonate Globe **
VSL1330	13	120-277VAC	-	VSL1330SASG	VSL1330SAHG	VSL1330SAPN
VSL1630	16	120-277VAC	-	VSL1630SASG	VSL1630SAHG	VSL1630SAPN

Ⓢ When mounted (globe down) to V series boxes; not Class II, Div.2 or NEMA 4 on VBA, VFPS, VB or VFL adaptors to sheet metal boxes.  
\*\* Use tempered glass or poly globes for wet location applications. See logic page for available globe colors.





Class I, Div. 2, Groups A,B,C,D  
Class I, Zone 2, Groups IIC,IIB,IIA  
Class II, Div. 2, Groups F,G<sup>①</sup>  
Class III  
Suitable for wet locations  
Enclosure Type 4<sup>①</sup>

Certified - File LR11713



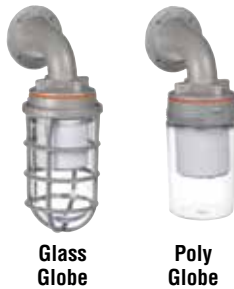
## ORDERING INFORMATION



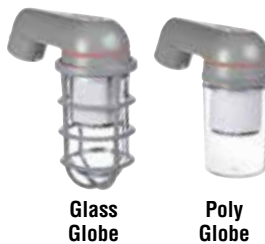
WALL MOUNT WITH FEET USING VBC SPLICE BOX AND VB ELBOW 4 - HUBS						
LED	Watts	Voltage	Hub Size	Fixture w/Standard Clear Glass Globe & Guard **	Fixture w/Tempered Clear Glass Globe & Guard **	Fixture w/Clear Polycarbonate Globe **
VSL1330	13	120-277VAC	1/2"	VSL1330W1SG	VSL1330W1HG	VSL1330W1PN
			3/4"	VSL1330W2SG	VSL1330W2HG	VSL1330W2PN
VSL1630	16	120-277VAC	1/2"	VSL1630W1SG	VSL1630W1HG	VSL1630W1PN
			3/4"	VSL1630W2SG	VSL1630W2HG	VSL1630W2PN



WALL MOUNT WITH VB ELBOW TO MOUNT TO 4" OUTLET BOX 0 - HUBS <sup>①</sup>						
LED	Watts	Voltage	Neck Hub Size	Fixture w/Standard Clear Glass globe & Guard **	Fixture w/Tempered Clear Glass globe & Guard **	Fixture w/Clear Polycarbonate Globe **
VSL1330	13	120-277VAC	1/2"	VSL1330V1SG	VSL1330V1HG	VSL1330V1PN
			3/4"	VSL1330V2SG	VSL1330V2HG	VSL1330V2PN
VSL1630	16	120-277VAC	1/2"	VSL1630V1SG	VSL1630V1HG	VSL1630V1PN
			3/4"	VSL1630V2SG	VSL1630V2HG	VSL1630V2PN



WALL MOUNT-WITH VFL ELBOW FOR DIRECT MOUNT TO V SERIES SPLICE BOXES 0 - HUBS <sup>①</sup>						
LED	Watts	Voltage	Hub Size	Fixture w/Standard Clear Glass Globe & Guard **	Fixture w/Tempered Clear Glass Globe & Guard **	Fixture w/Clear Polycarbonate Globe **
VSL1330	13	120-277VAC	-	VSL1330FLSG	VSL1330FLHG	VSL1330FLPN
VSL1630	16	120-277VAC	-	VSL1630FLSG	VSL1630FLHG	VSL1630FLPN



STANCHION MOUNT FOR 1 - 1 / 4 " THREADED PIPE 1 - HUB						
LED	Watts	Voltage	Hub Size	Fixture w/Standard Clear Glass Globe & Guard **	Fixture w/Tempered Clear Glass Globe & Guard **	Fixture w/Clear Polycarbonate Globe **
VSL1330	13	120-277VAC	1-1/4"	VSL1330D4SG	VSL1330D4HG	VSL1330D4PN
VSL1630	16	120-277VAC	1-1/4"	VSL1630D4SG	VSL1630D4HG	VSL1630D4PN

<sup>①</sup> When mounted (globe down) to V series boxes; not Class II, Div.2 or NEMA 4 on VBA, VFPS, VB or VFL adaptors to sheet metal boxes.  
 \*\* Use tempered glass or poly globes for wet location applications. See logic page for available globe colors.





VSL Body

**RETROFIT  
FOR ENERGY  
SAVINGS**

**VSL Fixture Bodies Only**

Fixture bodies contain the LED driver and array, heat sink plus gaskets, and are threaded to accept globes, guards and reflectors. Users with KILLARK "V" Series vapor tight fixtures from the 1960's onward can upgrade to the latest technology and, in many cases, reuse existing mounts, globes and guards. VSL bodies are designed for metallic boxes and mount directly to V Series splice boxes or adapters as indicated.

VSL FIXTURE BODIES	
CATALOG NUMBER	DESCRIPTION
VSL1330	13W 120-277VAC 50/60Hz Body with LEDs and Driver
VSL1630	16W 120-277VAC 50/60Hz Body with LEDs and Driver



VGA



VGH



VGC



VGX



VXA



VBC

**VSL Splice Boxes**

For use with VSL Series fixture bodies.

VSL SPLICE BOXES				
CATALOG NUMBER	HUB SIZE	QTY.	LOGIC CODE	DESCRIPTION
VGA-1	1/2"	1	A1	Pendant mount
VGA-2	3/4"	1	A2	
VGH-1	1/2"	1	H1	Ceiling mount
VGH-2	3/4"	1	H2	
VGC-1	1/2"	2	C1	Ceiling mount
VGC-2	3/4"	2	C2	
VGX-1	1/2"	4	X1	Ceiling mount
VGX-2	3/4"	4	X2	
VXA-1	1/2"	5	D1	Ceiling mount, deep box
VXA-2	3/4"	5	D2	
VBC-1*	1/2"	4	F1	Ceiling mount, with 3 close-up plugs (requires VBA Adapter) or wall mount with VB elbow
VBC-2*	3/4"	4	F2	
VXAB	—	—	—	Blank close-up plate (less gasket)

\*Volume cu. in. is 18

**VSL Adapters**

VSL ADAPTER MOUNTING PLATES	
CATALOG NUMBER	DESCRIPTION
VBA	Adapts fixture body to VB, VJ or steel 3-1/2" & 4" splice boxes. Supplied with gasket.
VFPS	Adapts fixture body to steel 4" square outlet boxes or 3-1/2" or 4" octagon boxes



VBA



VFPS

**VSL Wall/Stanchion Mounts**

VSL MOUNTING BRACKETS			
CATALOG NUMBER	HUB SIZE	QTY.	DESCRIPTION
VB-1	1/2"	1	Wall mount to VJ or VB boxes
VB-2	3/4"	1	Wall mount to VJ or VB boxes
VFL	—	—	Wall mount to V boxes directly or to VJ, VB boxes with VBA adapter
VD-4	1-1/4"	1	Stanchion mount



VB



VFL



VD





## VSL Globes

VSL GLOBES - ORDERING INFORMATION AND SUFFIX GRID **						
COLOR	GLASS	OPTIC LOGIC	TEMPERED GLASS	OPTIC LOGIC	POLYCARBONATE	OPTIC LOGIC
Clear	VCG-100	S*	VCGP-100	H*	VPLCG-100	P*
Amber	VAMG-100	A	VAMGP-100	A	VPLCG-100A	A
Blue	VBG-100	B	VBGP-100	B	—	—
Ruby (Red)	VRG-100	R	VRGP-100	R	VPLCG-100R	R
Green	VRSG-100	G	—	—	VPLCG-100G	G
Purple	VPG-100	P	—	—	—	—
Blue-Green	VGG-100	BG	VGGP-100	BG	—	—
White	VWG-100	W	VWGP-100	W	VPLCG-100W	W

\* See Pre-configured ordering tables for complete fixtures.

\*\* Use tempered glass or polycarbonate globes for wet location applications.



## VSL Components

VSL COMPONENT PARTS AND ACCESSORIES	
CATALOG NUMBER	DESCRIPTION
VAG-100	Aluminum Guard for use with Glass Globe
VAG-100R	Red Aluminum Guard for use with Glass Globe
VTG-S	Body to Splice Box Gasket - Silicone
VTGG1-S	Globe Gasket - Silicone
VPRSD-100	White polypropylene for pendant & ceiling applications. Not for use with wall or stanchion models.

## VSL Thermal Ratings

VSL THERMAL PERFORMANCE DATA INCLUDING VPRSD-100 REFLECTOR								
CATALOG NUMBER	AMBIENT	C1D2		C2D2		SUPPLY WIRE	L70 <sup>③</sup>	
		GLASS GLOBE	POLY GLOBE	GLASS GLOBE	POLY GLOBE		TM-21	CALCULATED
VSL1330	40°C	T6	T5	T5 (F,G)	T5 (F,G)	90°	60,500	100,000+
VSL1330	55°C	T5	—	—	—	90°	60,500	100,000+
VSL1630	40°C	T5	—	T5 (F,G)	—	90°	60,500	100,000+

## VSL Electrical Ratings

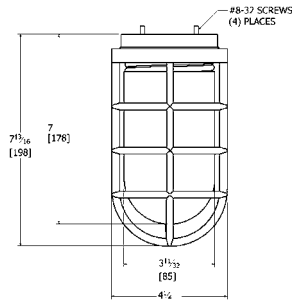
VSL LED BODY WITH DRIVERS <sup>①</sup> AND LEDS - ELECTRICAL RATINGS					
CATALOG NUMBER	VOLTAGE 50/60HZ	WATTAGE	AMPS 120/277	CIL <sup>②</sup>	WEIGHT LBS.
VSL1330	120-277VAC	12.42	.108/.047	1300	5.0
VSL1630	120-277VAC	15.64	.156/.067	1625	5.0

① Driver THD<20%, Powerfactor >90% @ 120V; Line regulation 2%; Load regulation 5%; Protected against Over-voltage and Overcurrent.

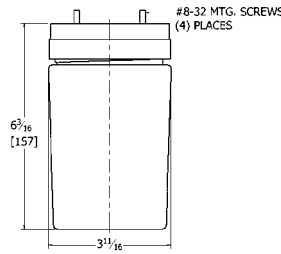
② CIL = Calculated Initial Lumens of LED component based on mfg. data and driver current INSIDE the optic. This value is provided as a reference only for comparison to traditional light sources such as Incandescent, HID, or fluorescent which use initial values in "relative" photometry. KILLARK LED luminaires are tested using the Absolute photometry method (LM79-08), which calculates delivered lumens only. KILLARK's LED luminaires provide very bright white 5000K (CCT) color and can appear brighter than traditional light sources with higher lumen values under both photopic and scotopic conditions.

③ "TM-21 based values require very long duration testing. The L70/TM-21 "official reported" value is based on 10,000 hours testing at 1000mA drive current ("reported L70" is a factor of test duration). KILLARK's VSL utilizes lower 450mA maximum drive current - "calculated" values by the chip vendor predict L70 life substantially in excess of 100,000 hours even at 1000mA."

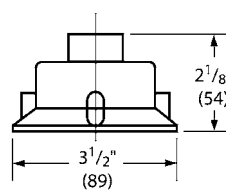




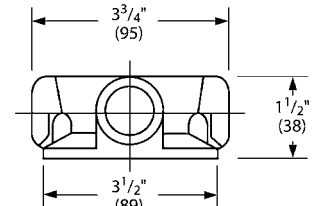
**VSL Body w/Globe & Guard,  
No Splice Box**



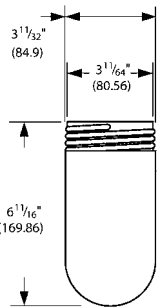
**VSL Body  
w/Polycarbonate Globe,  
No Splice Box**



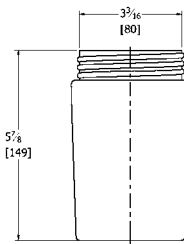
**VSA**



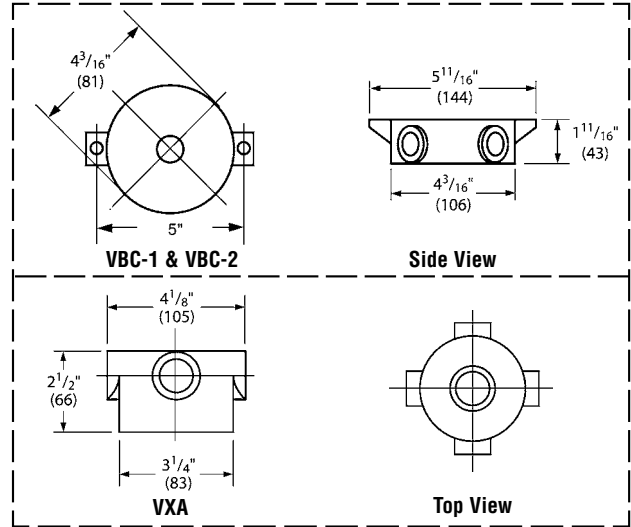
**VGC or VGX  
\*VGH is 3-5/8" (92)**



**Glass Globe**



**Polycarbonate Globe**

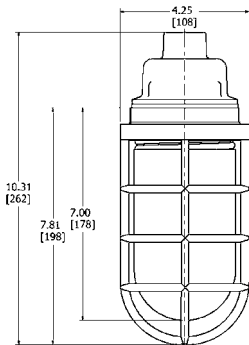


**VBC-1 & VBC-2**

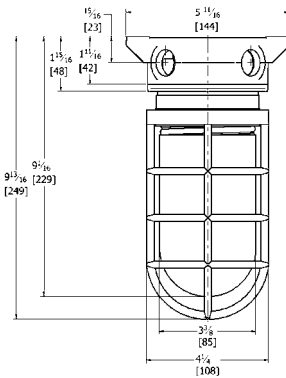
**Side View**

**VXA**

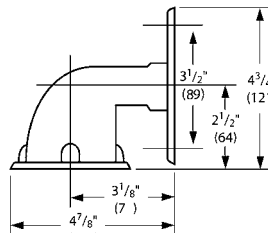
**Top View**



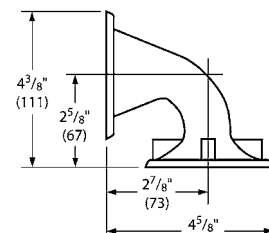
**VSL Pendant Fixture  
w/Globe & Guard**



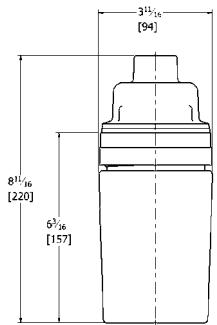
**VSL Ceiling Fixture  
w/Globe & Guard**



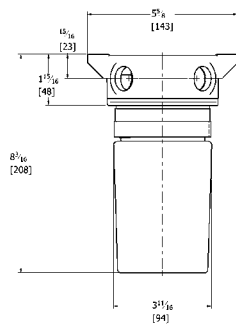
**VB**



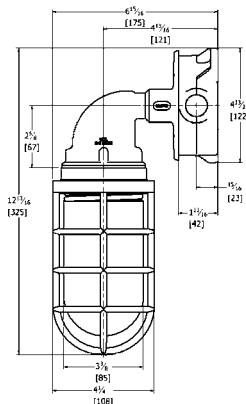
**VFL**



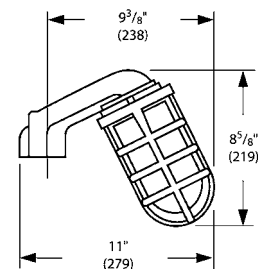
**VSL Pendant Fixture  
w/Polycarbonate Globe**



**VSL Ceiling Fixture  
w/Polycarbonate Globe**



**VSL Wall Mounted Fixture  
w/Globe & Guard**



**VSL Stanchion Fixture  
w/Globe & Guard**



Typical Weights (lbs.) with Standard Globe and Guard - VSL Series

Pendant 7.03	Ceiling 7.51	Wall 8.09	Stanchion 7.61
--------------	--------------	-----------	----------------



Class II, Div. 1 & 2, Groups E, F, G  
Class III  
Class I, Div. 2, Groups A, B, C, D

Certified - File LR11713

## FEATURES-SPECIFICATIONS

### DV SERIES LED

#### Introduction

Killark 'DVL' Series LED fixtures are designed for hazardous locations where suspended metal, carbon (such as coal) and grain dusts create explosive or ignitable mixture with the air.

#### LED Luminaire Features and Standards

- Compact in Size with Traditional Industrial Appearance and Suitability
- DVL LED Housings can be retrofitted to existing DV Series splice boxes; upgrade from incandescent housing 100 Series components
- Long Life - 60,500+ maintenance-free hours to 70% initial lumens
- Crisp White Light for Excellent Color Rendering - Chromaticity 5000K (CCT); 70 CRI
- Integral driver - maintains fixture's compact profile to fit in existing spaces
- Instant on - including after power interruption
- "World Voltage" 120-277VAC 50/60Hz
- Solder-LESS LED Board Connections - Vibration Resistant

#### Compliances

- UL-8750 for LED lighting
- UL 1598 standard for luminaires
- UL-844 Standard for lighting fixtures for hazardous locations, Class I, Division 2; Class II, Division 2; Class III, Division 2
- CSA C22.2 no. 137-M1981 electric luminaires for use in hazardous locations

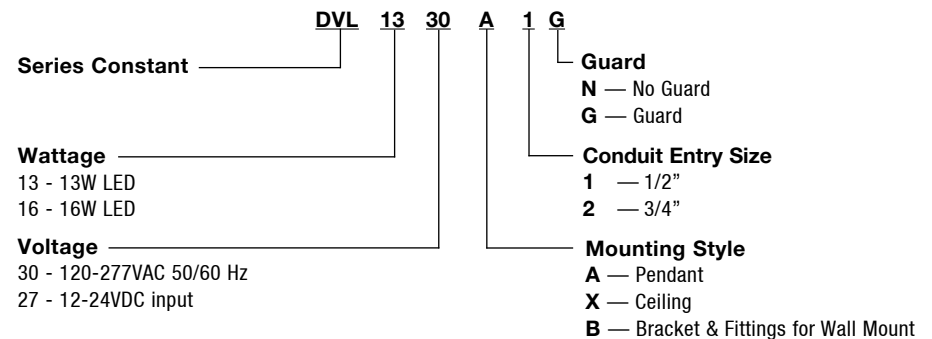
#### Materials, Weights

- Body and splice box are corrosion resistant copper-free aluminum alloy. Steel guard.
- Baked powder epoxy/polyester finish, electrostatically applied for complete, uniform corrosion protection
- Typical Weights (lbs.) with Standard Globe and Guard - DVL Series Pendant 7.7, Ceiling 7.7 and Wall 8.5

DVL 100 SERIES ①					
MODEL	LAMP	HUB	PENDANT	CEILING	WALL
Type 100 13Watt	Included	1/2"	DVL1330A1G	DVL1330X1G	DVL1330B1G
		3/4"	DVL1330A2G	DVL1330X2G	DVL1330B2G
Type 100 16Watt	Included	1/2"	DVL1630A1G	DVL1630X1G	DVL1630B1G
		3/4"	DVL1630A2G	DVL1630X2G	DVL1630B2G

① Fixtures supplied with guard. Substitute 'N' for 'G' for fixture less guard.

#### DVL Series LED Catalog Logic



#### Accessories/Components

Bodies		Mounts	
DVL 1330	LED 13W	DVA1	1/2" Pendant Mount
DVL 1327	LED 13W	DVA2	3/4" Pendant Mount
DVL 1630	LED 16W	DVX1	1/2" Ceiling Mount
DVL 1627	LED 16W	DVX2	3/4" Ceiling Mount
		DVB1	1/2" Wall Mount
		DVB2	3/4" Wall Mount
Globe	Guard		
DCGE-10	DAG-100		

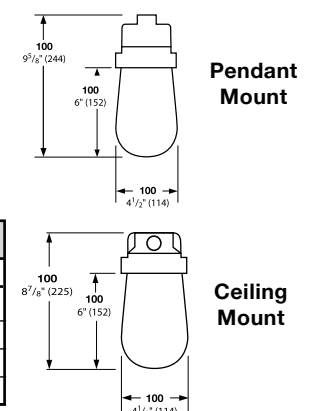
DVL THERMAL RATINGS						
CAT. NO.	AMBIENT	WATTS	C2D1 EFG	C1D2 ABCD	SUPPLY WIRE	
DVL1330	40°C	13	T3B	T6	90°C	
DVL1630	40°C	16	T3B	T6	90°C	
DVL1330	55°C	13	-	T5	90°C	
DVL1630	55°C	16	-	T5	90°C	

#### DVL Electrical Ratings

Same as VSL Series - See page 7

#### Dimensions

As 100 Series incandescent



#### Wall Mount overall dimensions

Height = 13.125" (333mm)  
Outward from wall = 7.4" (188mm)







Luminaire w/Glass Refractor and Guard



Luminaire w/Flat Lens



Wall Mount w/VZRF8PR Pathway Reflector

**Expanded wattage range RANGE**  
14, 17, 20, 22, 25, 40, 45, 50W

**Class I, Div. 2, Groups A,B,C,D**  
**Class I, Zone 2, Groups IIC,IIB,IIA**  
**Class II, Div. 1 & 2, Groups E,F,G**  
**Class III**  
**Suitable for wet locations**  
**Marine**  
**NEMA 3, 4X**

Certified - File LR11713

## FEATURES-SPECIFICATIONS

RETURN to Index

## CERTILITE® LED

### Applications

CERTILITE® MBL LED fixtures are designed for installations where moisture, dirt, dust, corrosion and vibration may be present, or NEMA 3 and 4X areas where wind, water, snow or high ambients can be expected. They can be used in locations made hazardous by the presence of flammable vapors or gases or combustible dusts as defined by the NEC.

Typical applications can low ceiling areas in manufacturing plants, and certain chemical and petrochemical processing facilities, sewage treatment plants, off-shore and dockside installations, garages and storage facilities.

### Compliances

- UL-8750 for LED lighting; UL 1598A
- UL Marine type lighting fixtures  
UL-844 Standard for lighting fixtures for hazardous locations, Class I, Division 2; Class II, Divisions 1 and 2; Class III
- CSA C22.2 no. 137-M1981 electric luminaries for use in hazardous locations
- Enclosed and gasketed
- NEMA 3, 4X

### Materials

- Ballast tank, splice box and guards (MBAG, VMAG) corrosion resistant copper-free aluminum alloy
- Baked powder epoxy/polyester finish, electrostatically applied for complete, uniform corrosion protection
- All external hardware - stainless steel
- Reflectors - Polyester reinforced fiberglass

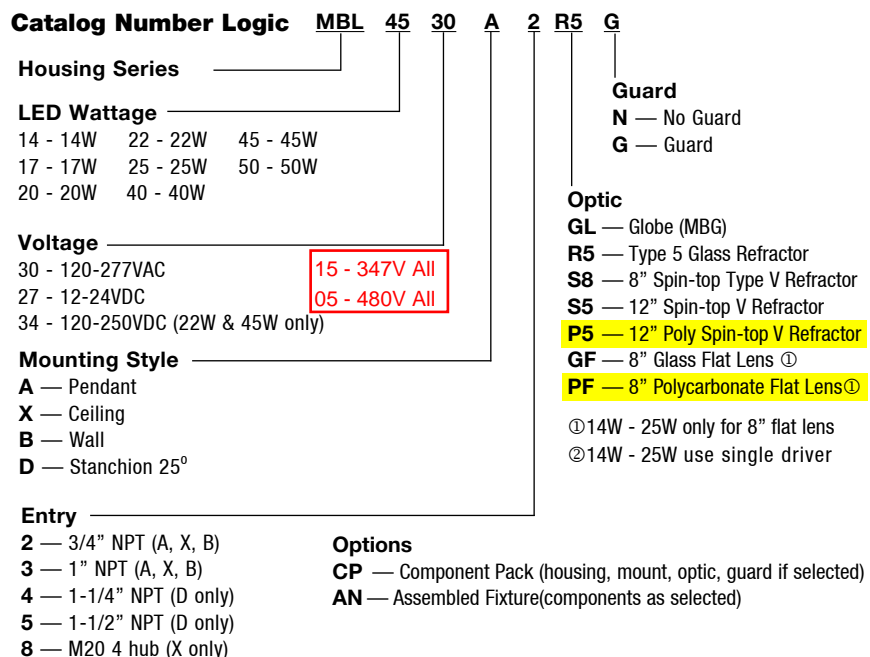


### LED Luminaire Features and Standards

- Compact in Size with Traditional Industrial Appearance and Suitability
- Wide variety of optics including globes, globes with reflectors, all-glass refractors, and spin-top refractors
- Optional Mounting arrangements including Pendant, Wall, Ceiling, and Stanchion
- MBL LED Housings can be retrofitted to existing MB splice boxes; upgrade from Fluorescent or HID
- Energy Savings - less than 50 Watts of Power; 25 Watts for MBL2230
- Long Life up to 100,000+ maintenance free hours to 70% initial lumens
- Crisp White Light for Excellent Color Rendering - Chromaticity 5000K (CCT); 70 CRI, TM-21
- Ambient suitability -40°C to 40°C (to 55°C for 14W to 22W)
- Instant on - including after power interruption
- "World Voltage" 120-277VAC 50/60Hz
- Solder-LESS LED Board Connections - Vibration Resistant
- Dual Drivers 40, 45, 50W - Redundant Systems (built-in backup), or for additional energy savings half of MBL luminaire can be turned off
- LM80-08\* Measurement of lumen maintenance for LED light sources
- LM79-08\* Certified "Absolute" Photometry, including Chromaticity Color for Solid State Lighting
- L70 Values - Industry Nomenclature for Hours of use to 70% of Initial Lumens (TM-21+ Cal.)

Single supplemental surge protector included as standard for AC models only

\* LM-xx are Illumination Engineering Society Standards designed to promote uniformity in testing procedures among test labs and manufacturers. For more information go to [www.ies.org](http://www.ies.org)





PENDANT



CEILING



WALL



STANCHION

## ORDERING INFORMATION

MBL SERIES PENDANT WITH OPTIC AND GUARD							
WATTS	HUB SIZE <sup>②</sup>	VOLTAGE <sup>③</sup>	GLOBE & GUARD	8" SPIN-TOP POLYCARBONATE FLAT LENS*	TYPE V GLASS REFRACTOR & GUARD	8" SPIN-TOP TYPE V REFRACTOR & GUARD	12" SPIN-TOP TYPE V POLY REFR & GUARD
14	3/4"	120-277VAC	MBL1430A2GLG	MBL1430A2PFN	MBL1430A2R5G	MBL1430A2S8G	MBL1430A2P5G
17	3/4"	120-277VAC	MBL1730A2GLG	MBL1730A2PFN	MBL1730A2R5G	MBL1730A2S8G	MBL1730A2P5G
20	3/4"	120-277VAC	MBL2030A2GLG	MBL2030A2PFN	MBL2030A2R5G	MBL2030A2S8G	MBL2030A2P5G
22	3/4"	120-277VAC	MBL2230A2GLG	MBL2230A2PFN	MBL2230A2R5G	MBL2230A2S8G	MBL2230A2P5G
25	3/4"	120-277VAC	MBL2530A2GLG	MBL2530A2PFN	MBL2530A2R5G	MBL2530A2S8G	MBL2530A2P5G
40	3/4"	120-277VAC	MBL4030A2GLG	-	MBL4030A2R5G	MBL4030A2S8G	MBL4030A2P5G
45	3/4"	120-277VAC	MBL4530A2GLG	-	MBL4530A2R5G	MBL4530A2S8G	MBL4530A2P5G
50	3/4"	120-277VAC	MBL5030A2GLG	-	MBL5030A2R5G	MBL5030A2S8G	MBL5030A2P5G
MBL SERIES CEILING WITH OPTIC AND GUARD <sup>①</sup>							
14	3/4"	120-277VAC	MBL1430X2GLG	MBL1430X2PFN	MBL1430X2R5G	MBL1430X2S8G	MBL1430X2P5G
17	3/4"	120-277VAC	MBL1730X2GLG	MBL1730X2PFN	MBL1730X2R5G	MBL1730X2S8G	MBL1730X2P5G
20	3/4"	120-277VAC	MBL2030X2GLG	MBL2030X2PFN	MBL2030X2R5G	MBL2030X2S8G	MBL2030X2P5G
22	3/4"	120-277VAC	MBL2230X2GLG	MBL2230X2PFN	MBL2230X2R5G	MBL2230X2S8G	MBL2230X2P5G
25	3/4"	120-277VAC	MBL2530X2GLG	MBL2530X2PFN	MBL2530X2R5G	MBL2530X2S8G	MBL2530X2P5G
40	3/4"	120-277VAC	MBL4030X2GLG	-	MBL4030X2R5G	MBL4030X2S8G	MBL4030X2P5G
45	3/4"	120-277VAC	MBL4530X2GLG	-	MBL4530X2R5G	MBL4530X2S8G	MBL4530X2P5G
50	3/4"	120-277VAC	MBL5030X2GLG	-	MBL5030X2R5G	MBL5030X2S8G	MBL5030X2P5G
MBL SERIES WALL WITH OPTIC AND GUARD <sup>①</sup>							
14	3/4"	120-277VAC	MBL1430B2GLG	MBL1430B2PFN	MBL1430B2R5G	MBL1430B2S8G	MBL1430B2P5G
17	3/4"	120-277VAC	MBL1730B2GLG	MBL1730B2PFN	MBL1730B2R5G	MBL1730B2S8G	MBL1730B2P5G
20	3/4"	120-277VAC	MBL2030B2GLG	MBL2030B2PFN	MBL2030B2R5G	MBL2030B2S8G	MBL2030B2P5G
22	3/4"	120-277VAC	MBL2230B2GLG	MBL2230B2PFN	MBL2230B2R5G	MBL2230B2S8G	MBL2230B2P5G
25	3/4"	120-277VAC	MBL2530B2GLG	MBL2530B2PFN	MBL2530B2R5G	MBL2530B2S8G	MBL2530B2P5G
40	3/4"	120-277VAC	MBL4030B2GLG	-	MBL4030B2R5G	MBL4030B2S8G	MBL4030B2P5G
45	3/4"	120-277VAC	MBL4530B2GLG	-	MBL4530B2R5G	MBL4530B2S8G	MBL4530B2P5G
50	3/4"	120-277VAC	MBL5030B2GLG	-	MBL5030B2R5G	MBL5030B2S8G	MBL5030B2P5G
MBL SERIES 25° STANCHION WITH OPTIC AND GUARD <sup>①</sup>							
14	1-1/4" <sup>④</sup>	120-277VAC	MBL1430D4GLG	MBL1430D4PFN	MBL1430D4R5G	MBL1430D4S8G	MBL1430D4P5G
17	1-1/4" <sup>④</sup>	120-277VAC	MBL1730D4GLG	MBL1730D4PFN	MBL1730D4R5G	MBL1730D4S8G	MBL1730D4P5G
20	1-1/4" <sup>④</sup>	120-277VAC	MBL2030D4GLG	MBL2030D4PFN	MBL2030D4R5G	MBL2030D4S8G	MBL2030D4P5G
22	1-1/4" <sup>④</sup>	120-277VAC	MBL2230D4GLG	MBL2230D4PFN	MBL2230D4R5G	MBL2230D4S8G	MBL2230D4P5G
25	1-1/4" <sup>④</sup>	120-277VAC	MBL2530D4GLG	MBL2530D4PFN	MBL2530D4R5G	MBL2530D4S8G	MBL2530D4P5G
40	1-1/4" <sup>④</sup>	120-277VAC	MBL4030D4GLG	-	MBL4030D4R5G	MBL4030D4S8G	MBL4030D4P5G
45	1-1/4" <sup>④</sup>	120-277VAC	MBL4530D4GLG	-	MBL4530D4R5G	MBL4530D4S8G	MBL4530D4P5G
50	1-1/4" <sup>④</sup>	120-277VAC	MBL5030D4GLG	-	MBL5030D4R5G	MBL5030D4S8G	MBL5030D4P5G

① Catalog numbers shown are with Guard; to omit guard change ending G to N; e.g. MBL2230A2GLN

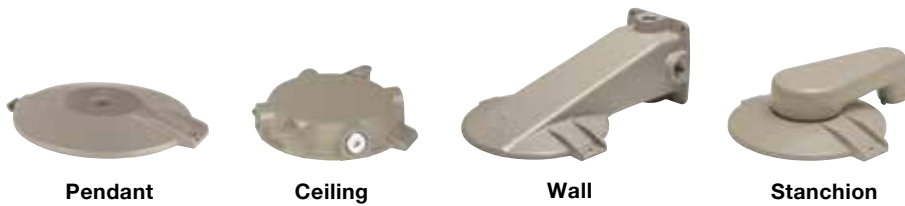
② Catalog numbers shown are with 3/4" conduit openings; change "2" to "3" for 1" e.g. MBL2230A3GLG

③ 120VAC through 277VAC 50/60Hz

④ Catalog numbers shown are with 1-1/4" conduit openings; change "4" to "5" for 1-1/2" e.g. MBL2230D5GLG

\*For Glass 8" Spin-top Flat Lens, change PFN to GFN at end of catalog number





MB MOUNTING BRACKETS				
CATALOG NUMBER				HUB SIZE
PENDANT	CEILING	WALL	STANCHION	
MBA-2	MBX-2	MBB-2	—	3/4"
MBA-3	MBX-3	MBB-3	—	1"
—	MBX-8*	—	—	M20
—	—	—	MBD-4	1-1/4"
—	—	—	MBD-5	1-1/2"

\* MBX-8 furnished with 3 non-metallic plugs



**Non-Glass Polycarbonate  
8" Flat Lens or Spin-top**



Patent Pending



MBL LED OPTICS AND ACCESSORIES		
DESCRIPTION	OPTIC LOGIC	GUARD
Globe (glass)	MBG (GL)	MBAG
Reflector (all glass) Type V	VMR175 (R5)	VMAG17
Reflector (spin top) 8" Type V	VZRG1550 (S8)	VMRWG8
Reflector (spin top) 12" Type V	VZRG2550 (S5)	VMRWGS
8" Spin-top flat lens (glass) ①	VZRGF8 (GF)	VZRF8GRD
8" Spin-top flat lens (polycarbonate) ①	VZRPF8 (PF)	VZRF8GRD
Reflector polycarbonate (spin -top) 12" Type V	VZRP175 (P5)	VMRWGS
Flat Lens (glass spin-top) ①	VZRGF8	VZRF8GRD
Pathway Reflector ①	VZRF8PR	NA
Reflector for MBG Globe - DOME ②	VMPSD-17	NA
Reflector for MBG Globe - ANGLE ②	VMPA-17	NA
120VAC Photocell with FS Style Cover	VMFSPC1	NA
208-277VAC Photocell with FS Style Cover	VMFSPC2	NA
3-sided EXIT Accessory (use without guard)	VEXA100B	NA

① 14-25W only

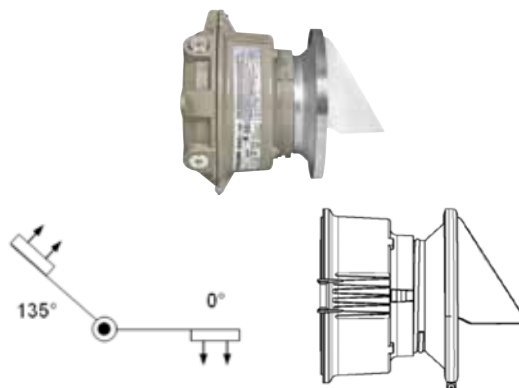
② Reflectors for use with MBG/MBAG only; VMG17 globe with VMAG17 guard will fit without reflector.



LED HOUSINGS WITH DRIVERS AND LEDS - ELECTRICAL RATINGS <sup>①</sup>				
WATTAGE	AMPS 120/277	AMPS 12-24VDC	CIL <sup>②</sup>	WEIGHT <sup>③</sup>
14	0.12/0.05	1.17/0.58	1400	10.0
17	0.14/0.06	1.42/0.71	2550	10.0
20	0.17/0.07	1.67/0.83	2745	10.0
22	0.18/0.08	1.83/0.92	2100	10.0
25	0.21/0.09	2.08/1.04	3828	10.0
40	0.33/0.14	3.33/1.67	5490	15.5
45	0.38/0.16	3.75/1.88	4200	15.5
50	0.42/0.18	4.17/2.08	7656	15.5

- ① Driver THD<20%, Powerfactor 99% @ 120V; Line Regulation 2%; Load regulation 5%; Protected against Over-voltage and Over-current.
- ② CIL = Calculated Initial Lumens of LED component based on mfg. data and driver current INSIDE the optic. This value is provided as a reference only for comparison to traditional light sources such as incandescent, HID, or fluorescent which use initial values in "relative" photometry. KILLARK LED luminaires are tested using the Absolute photometry method (LM79-08), which calculates delivered lumens only. KILLARK's LED luminaires provide very bright white 5000K (CCT) color and can appear brighter than traditional light sources with higher lumen values under both photopic and scotopic conditions.
- ③ Weights are shown are MBL tank only.
- ④ TM-21 based values require very long duration testing. The TM-21/L70 "official reported" value is based on 7,800 to 10,000 hours testing (at time of printing) at 1000mA to 1500mA drive current, depending on LED chip utilized. "Reported L70" is a factor of test duration. KILLARK's MBL series utilizes lower 350mA or 700mA maximum drive current - "calculated" values by the major chip vendors utilized predict L70 life up to 150,000+ hours even at 1000mA.

## Special Aiming Angles Wall Mount MBL with Pathway Reflector

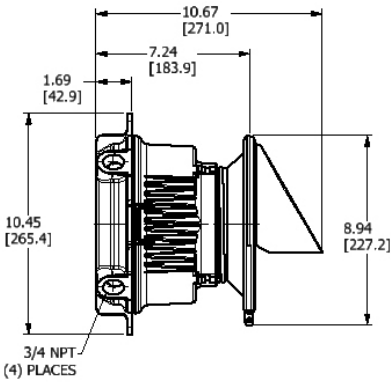


14W-25W MBL Housings with 8" Flat Spin-Top Lens may be aimed from 135° to 0° with or without the VZRF8PF Pathway Reflector. Pathway Reflector must NOT be aimed upwards in a Class II (Dust) environment, or where any contaminant may be collected. Applications include tunnels, lighting dark spots around ceiling piping or pathways near handrails.

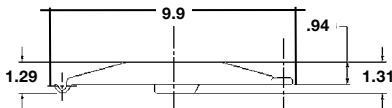
THERMAL PERFORMANCE DATA								
WATTAGE <sup>⑤</sup>	AMBIENT	CID2 ABCD		C2D1 EFG		L70		SUPPLY WIRE
		Optic Only	w/Reflector	Optic Only	w/Reflector	TM-21 <sup>④</sup>	CALCULATED	
14	40°C	T5	T5	T4	T4	60100	270000	75°C
	55°C	T4A	T4A	T4	T4	60100	270000	90°C
17	40°C	T5	T5	T4	T4	72600	278000	75°C
	55°C	T5	T5	T4	T4	72600	278000	90°C
20	40°C	T5	T5	T4	T4	60100	270000	75°C
	55°C	T5	T5	T4	T4	60100	270000	90°C
22	40°C	T4A	T4A	T4	T4	60400	60400	75°C
	55°C	T4	T4	T4	T4	60400	60400	90°C
25	40°C	T5	T5	T4	T4	72600	278000	75°C
	55°C	-	-	-	-	72600	278000	75°C
40	40°C	T5	T5	T4	T4	60100	270000	75°C
	55°C	-	-	-	-	60100	270000	75°C
45	40°C	T4A	T4A	T4	T4	60400	60400	90°C
	55°C	-	-	-	-	60400	60400	90°C
50	40°C	T5	T5	T4	T4	72600	278000	75°C
	50°C	-	-	-	-	72600	278000	90°C

TOTAL LUMEN OUTPUT		
Wattage	MBL + MBG	MBL + VZRxF8
14	910*	980*
17 <sup>①</sup>	1650*	2040*
20	1785*	1920*
22	1365*	1470*
25 <sup>①</sup>	2485*	2680*
40	4023	-
45	2940	-
50 <sup>①</sup>	4590*	-

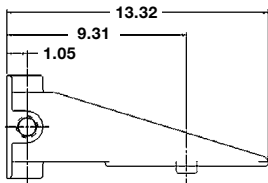
① Extra high lumen per watt LED's  
\*Values indicated are estimates; LM-79 Absolute Photometry testing is in progress.



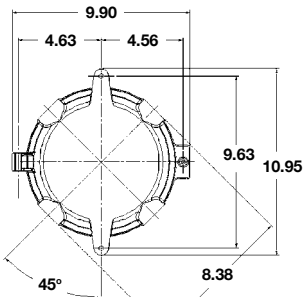
**MBL Flat Lens, Pathway Reflector  
Wall Mount**



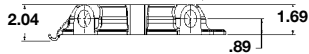
**MBA Pendant**



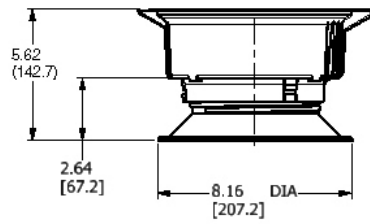
**MBB Wall Mount**



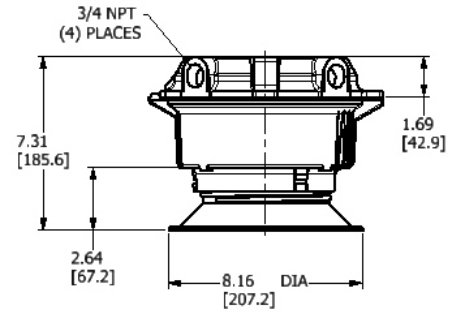
**MBX Ceiling**



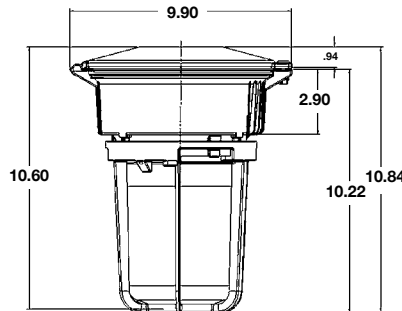
**MBD Stanchion**



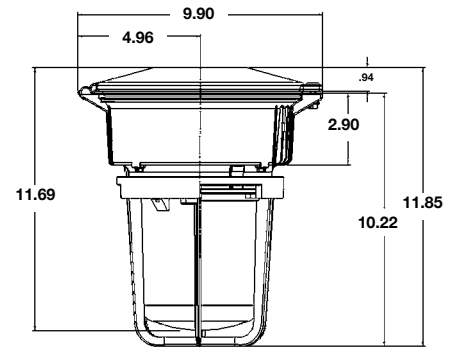
**MBL Tank with Flat Lens**



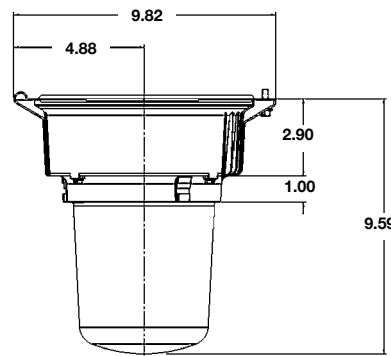
**MBL Flat Lens Ceiling Mount**



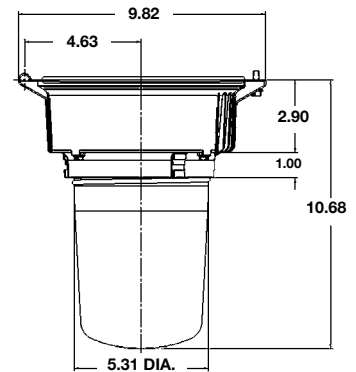
**MBL Pendant, Globe, Guard**



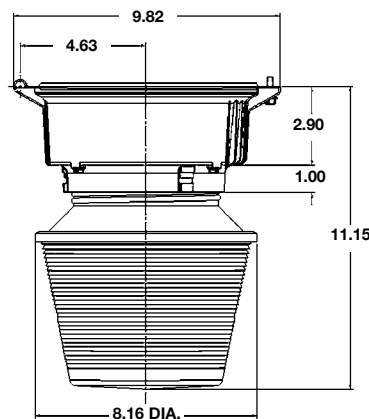
**MBL Pendant, Refractor, Guard**



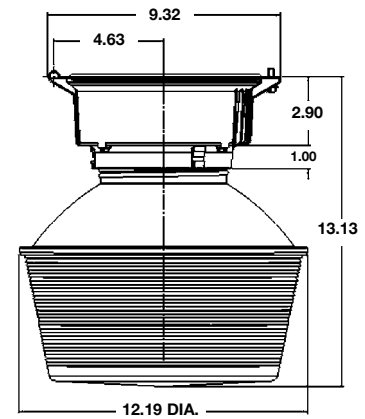
**MBL & MBG Globe Only**



**MBL & VMR Refractor**



**MBL & 8" Type V Spin-top**



**MBL & 12" Type V Spin-top**



Typical Weights (lbs.) with Standard Globe and Guard - MBL Series				
14-25W	Pendant 14.96	Ceiling 15.69	Wall 19.30	Stanchion 16.83
40-50W	Pendant 20.96	Ceiling 21.69	Wall 25.30	Stanchion 22.83



**Expanded wattage range RANGE 40, 45, 50W**

**Class I, Div. 2, Groups A,B,C,D  
Class I, Zone 2, Groups IIC,IIB,IIA  
Class II, Div. 1 & 2, Groups E,F,G  
Class III  
Suitable for wet locations  
Marine  
NEMA 3, 4X**

Certified - File LR11713

**RETURN to Index**

## FEATURES-SPECIFICATIONS

### CERTILITE<sup>®</sup>V LED

#### Applications

CERTILITE<sup>®</sup>V VM1L LED fixtures are designed for installations where moisture, dirt, dust, corrosion and vibration may be present, or NEMA 3 and 4X areas where wind, water, snow or high ambients can be expected. They can be used in locations made hazardous by the presence of flammable vapors or gases or combustible dusts as defined by the NEC.

Typical applications include manufacturing plants, and certain chemical and petrochemical processing facilities, sewage treatment plants, off-shore and dockside installations, garages and storage facilities.

#### Compliances

- UL-8750 for LED lighting
- UL Marine type lighting fixtures (HID models) UL-844 Standard for lighting fixtures for hazardous locations, Class I, Division 2; Class II, Divisions 1 and 2; Class III
- CSA C22.2 no. 137-M1981 electric luminaires for use in hazardous locations
- Enclosed and gasketed
- NEMA 3, 4X

#### Materials

- Ballast tank, splice box and cast guards corrosion resistant copper-free aluminum alloy
- Baked powder epoxy/polyester finish, electrostatically applied for complete, uniform corrosion protection
- All external hardware - stainless steel
- Reflectors - Polyester reinforced fiberglass

#### LED Luminaire Features and Standards

- Reduced profile with Traditional Industrial Appearance and Suitability
- Wide variety of optics including globes, globes with reflectors, all-glass refractors, and spin-top refractors

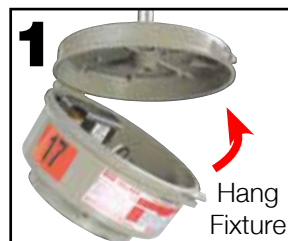
- Swing-Barrel Nut patented tank mounting system
- Optional Mounting arrangements including Pendant, Wall, Ceiling, Stanchion and others
- VM1L LED Housings can be retrofitted to existing VM splice boxes; upgrade from HID sources
- Energy Savings - less than 55 Watts of Power
- Long Life - 50,000 - 55,000 maintenance free hours to 70% initial lumens
- Crisp White Light for Excellent Color Rendering - Chromaticity 5000K (CCT); 70 CRI
- Ambient suitability -40°C to 55°C
- Instant on - including after power interruption
- "World Voltage" 120-277VAC 50/60Hz

- Solder-LESS LED Board Connections – Vibration Resistant
- Dual Drivers - Redundant Systems (built-in backup), or for additional energy savings half of VM1L4530 can be turned off
- LM80-08\* Measurement of lumen maintenance for LED light sources
- LM79-08\* Certified "Absolute" Photometry, including Chromaticity Color for Solid State Lighting
- L70 Values - Industry Nomenclature for Hours of use to 70% of Initial Lumens

Supplemental surge protection included as standard for AC models only

\* LM-xx are Illumination Engineering Society Standards designed to promote uniformity in testing procedures among test labs and manufacturers. For more information go to [www.ies.org](http://www.ies.org)

### Swing-Barrel Nut








**Polycarbonate 12" Spin-top Refractor VZRP175**

**Photo controls - Class I Div. 2 / N4X areas**

Available as Field or Factory Installed to save energy when light not required.



**Earthquake Tab - Built-in attachment point for safety cables.**



**Safety: Secures fixture to structure in case of conduit failure.**







**CertiLite®V LED Catalog Number Logic**

**VM1L 45 30 0 0 00**

**Housing Series** — 5-1/2" thread w/driver and LED's

**Lamp Wattage**

40W— LED  
45W— LED  
50W— LED

**Voltage**

30—120-277VAC 50/60 Hz②  
15—347VAC 50/60 Hz②  
05—480VAC 50/60 Hz②  
34—120-250VDC③  
27—12-24VDC

**Mounting Type**

A—Pendant  
X—Ceiling  
B—Wall Bracket  
C—Cone Top  
E—EZ Mount Adapter④  
D—Stanchion 25°  
S—Stanchion Straight 90°  
N—None (mount ordered separately)⑤

**Entry (Mounts available)**

2—3/4" NPT (A,B,C,X)  
3—1" NPT (A,B,C,X)  
4—1 1/4" NPT (D,S)  
5—1 1/2" NPT (D,S)  
6—3/4" NPT 5-Hub (X)  
7—1" NPT 5-Hub (X)  
8—M20 4-Hub (X)  
9—M20 5-Hub (X)  
Z—EZ Mount Adapter④  
N—None (mount ordered separately)⑤

**0**

**Guard**

G—Guard  
(Globes & Glass refractors)  
N—No Guard

**Optic**

GL—Globe  
R5—Type V Refractor (all glass)  
S8—Type V 8" Spin-Top Refractor  
S5—Type V 12" Spin-Top Refractor  
**P5—Polycarbonate Type V 12" Spin-Top Refractor**

**00**

**Options**

F—Single Fuse⑥  
FF—Double Fuse⑥  
TBX—Terminal Blocks  
X= Variations  
(May be alphanumeric to indicate terminals)

P1—Photocell 120V⑦  
Factory Installed  
P2—Photocell 208-277V⑦  
Factory Installed

SP—Surge Protection⑧  
QD—QD Wired at Ballast⑧  
CP—Component Pack  
(Tank w/mount, optic, guard - LED's included in tank)

AN—Assembled  
(Tank w/mount, optic, guard- LED's included in tank)

- ① Single step-down transformer feeds 2 drivers.
- ② Dual drivers 40, 45, 50W.
- ③ 45W only.
- ④ Completes as "EZ", conduit mounting boxes ordered seperately. - See page 18
- ⑤ NN mount ordered seperately.
- ⑥ Fusing not for Marine or Canadian installations.
- ⑦ Photo cells for Class I, Div. 2 only.
- ⑧ QD = Quick Disconnect. Allows easy tank removal for maintenance. Electrician simply unplugs tank from mount for fixture relocation or repair due to impact damage.
- ⑨ One supplemental surge protector for both drivers is included as standard. Option SP is needed only for applications were the two drivers will be powered separately AND each circuit requires additional protection.



PENDANT



CEILING



WALL



CONE

## ORDERING INFORMATION

VM1L SERIES PENDANT WITH OPTIC AND GUARD ①						
WATTS	HUB SIZE②	VOLTAGE③	GLOBE & GUARD	TYPE V GLASS REFRACTOR & GUARD	8" SPIN-TOP TYPE V REFRACTOR & GUARD	12" SPIN-TOP TYPE V POLY REFR & GUARD
40	3/4"	120-277VAC	VM1L4030A2GLG	VM1L4030A2R5G	VM1L4030A2S8G	VM1L4030A2P5G
45	3/4"	120-277VAC	VM1L4530A2GLG	VM1L4530A2R5G	VM1L4530A2S8G	VM1L4530A2P5G
50	3/4"	120-277VAC	VM1L5030A2GLG	VM1L5030A2R5G	VM1L5030A2S8G	VM1L5030A2P5G

VM1L SERIES CEILING WITH OPTIC AND GUARD ①						
WATTS	HUB SIZE②	VOLTAGE③	GLOBE & GUARD	TYPE V GLASS REFRACTOR & GUARD	8" SPIN-TOP TYPE V REFRACTOR & GUARD	12" SPIN-TOP TYPE V POLY REFR & GUARD
40	3/4"	120-277VAC	VM1L4030X2GLG	VM1L4030X2R5G	VM1L4030X2S8G	VM1L4030X2P5G
45	3/4"	120-277VAC	VM1L4530X2GLG	VM1L4530X2R5G	VM1L4530X2S8G	VM1L4530X2P5G
50	3/4"	120-277VAC	VM1L5030X2GLG	VM1L5030X2R5G	VM1L5030X2S8G	VM1L5030X2P5G

VM1L SERIES WALL WITH OPTIC AND GUARD ①						
WATTS	HUB SIZE②	VOLTAGE③	GLOBE & GUARD	TYPE V GLASS REFRACTOR & GUARD	8" SPIN-TOP TYPE V REFRACTOR & GUARD	12" SPIN-TOP TYPE V POLY REFR & GUARD
40	3/4"	120-277VAC	VM1L4030B2GLG	VM1L4030B2R5G	VM1L4030B2S8G	VM1L4030B2P5G
45	3/4"	120-277VAC	VM1L4530B2GLG	VM1L4530B2R5G	VM1L4530B2S8G	VM1L4530B2P5G
50	3/4"	120-277VAC	VM1L5030B2GLG	VM1L5030B2R5G	VM1L5030B2S8G	VM1L5030B2P5G

VM1L SERIES CONE WITH OPTIC AND GUARD ①						
WATTS	HUB SIZE②	VOLTAGE③	GLOBE & GUARD	TYPE V GLASS REFRACTOR & GUARD	8" SPIN-TOP TYPE V REFRACTOR & GUARD	12" SPIN-TOP TYPE V POLY REFR & GUARD
40	3/4"	120-277VAC	VM1L4030C2GLG	VM1L4030C2R5G	VM1L4030C2S8G	VM1L4030C2P5G
45	3/4"	120-277VAC	VM1L4530C2GLG	VM1L4530C2R5G	VM1L4530C2S8G	VM1L4530C2P5G
50	3/4"	120-277VAC	VM1L5030C2GLG	VM1L5030C2R5G	VM1L5030C2S8G	VM1L5030C2P5G

- ① Catalog numbers shown are with Guard; to omit guard change ending G to N; e.g. VM1L4530A2GLN
- ② Catalog numbers shown are with 3/4" conduit openings; change "2" to "3" for "1" e.g. VM1L4530A3GLG
- ③ 120VAC through 277VAC 50/60Hz



STANCHION 25°



STANCHION STRAIGHT



EZ ADAPTER

## ORDERING INFORMATION

VM1L SERIES 25° STANCHION WITH OPTIC AND GUARD ①						
WATTS	HUB SIZE②	VOLTAGE③	GLOBE & GUARD	TYPE V GLASS REFRACTOR & GUARD	8" SPIN-TOP TYPE V REFRACTOR & GUARD	12" SPIN-TOP TYPE V POLY REFR & GUARD
40	1-1/2"	120-277VAC	VM1L4030D5GLG	VM1L4030D5R5G	VM1L4030D5S8G	VM1L4030D5P5G
45	1-1/2"	120-277VAC	VM1L4530D5GLG	VM1L4530D5R5G	VM1L4530D5S8G	VM1L4530D5P5G
50	1-1/2"	120-277VAC	VM1L5030D5GLG	VM1L5030D5R5G	VM1L5030D5S8G	VM1L5030D5P5G

VM1L SERIES STRAIGHT STANCHION WITH OPTIC AND GUARD ①						
WATTS	HUB SIZE②	VOLTAGE③	GLOBE & GUARD	TYPE V GLASS REFRACTOR & GUARD	8" SPIN-TOP TYPE V REFRACTOR & GUARD	12" SPIN-TOP TYPE V POLY REFR & GUARD
40	1-1/2"	120-277VAC	VM1L4030S5GLG	VM1L4030S5R5G	VM1L4030S5S8G	VM1L4030S5P5G
45	1-1/2"	120-277VAC	VM1L4530S5GLG	VM1L4530S5R5G	VM1L4530S5S8G	VM1L4530S5P5G
50	1-1/2"	120-277VAC	VM1L5030S5GLG	VM1L5030S5R5G	VM1L5030S5S8G	VM1L5030S5P5G

VM1L SERIES EZ ADAPTER WITH OPTIC AND GUARD ①						
WATTS	HUB SIZE④	VOLTAGE③	GLOBE & GUARD	TYPE V GLASS REFRACTOR & GUARD	8" SPIN-TOP TYPE V REFRACTOR & GUARD	12" SPIN-TOP TYPE V POLY REFR & GUARD
40	NA	120-277VAC	VM1L4030EZGLG	VM1L4030EZR5G	VM1L4030EZS8G	VM1L4030EZP5G
45	NA	120-277VAC	VM1L4530EZGLG	VM1L4530EZR5G	VM1L4530EZS8G	VM1L4530EZP5G
50	NA	120-277VAC	VM1L5030EZGLG	VM1L5030EZR5G	VM1L5030EZS8G	VM1L5030EZP5G

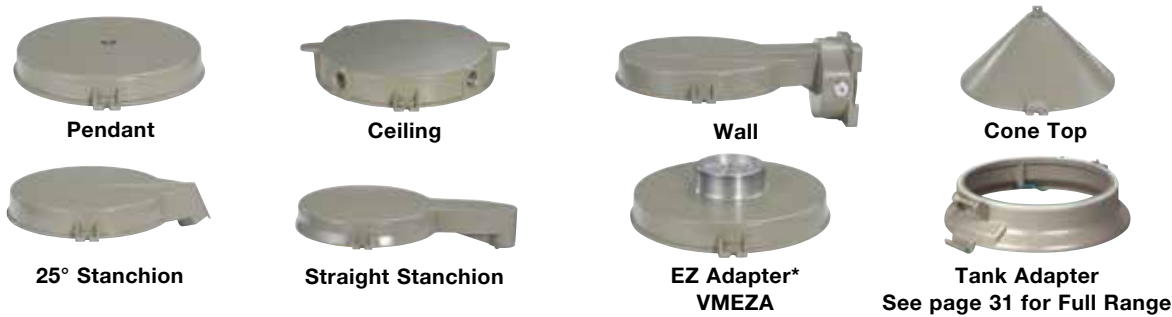
- ① Catalog numbers shown are with Guard; to omit guard change ending G to N; e.g. VM1L4530D5GLN
- ② Catalog numbers shown are with 1-1/2" conduit openings; change "5" to "4" for 1-1/4" e.g. VM1L4530D4GLG
- ③ 120VAC through 277VAC 50/60Hz
- ④ VMEZA tank adapters UL "classified" as an assembly for use between VM tanks and EZ mounts.  
Order EZ mounts separately (see below).

MOUNTING BOXES FOR EZ ADAPTER				
CATALOG NUMBER				HUB SIZE
PENDANT	CEILING	BRACKET	STANCHION	
EZA2	EZX2	EZB2	—	3/4"
EZA3	EZX3	EZB3	—	1"
—	—	—	EZD4A*	1-1/4"/1-1/2"*

\*1-1/2" furnished with 1-1/2"-1-1/4" reducer and extension.







CERTILITE <sup>®</sup> V VM MOUNTING SPLICE BOXES							
		CATALOG NUMBER					
HUB SIZE	PENDANT	CEILING 4 HUB	CEILING 5 HUB	WALL	CONE TOP	25 DEGREE STANCHION	90 DEGREE STANCHION
3/4"	VMA2B	VMX2B	VMX6B	VMB2B	VMC2B	—	—
1"	VMA3B	VMX3B	VMX7B	VMB3B	VMC3B	—	—
1-1/4"	—	—	—	—	—	VMD4B	VMS4B
1-1/2"	—	—	—	—	—	VMD5B	VMS5B
M-20	—	VMX8B**	VMX9B	—	—	—	—

\*VMEZA is used between a ballast tank and an EZ mount-ordered separately. See page 18 for more information.

\*\*VMX8B furnished with 3 non-metallic plugs.

VM1L LED OPTICS AND ACCESSORIES		
DESCRIPTION	OPTIC LOGIC	GUARD
Globe (glass)	VMG17 (GL)	VMAG17
Refractor (all glass) Type V	VMR175 (R5)	VMAG17
Refractor (spin top) 8" Type V	VZRG1550 (S8)	VMRWG8
Refractor (spin top) 12" Type V	VZRG2550 (S5)	VMRWGS
Refractor polycarbonate (spin-top) 12" Type V	VZRP175 (P5)	VMRWGS
DOME REFLECTOR (Polyester reinforced fiberglass)	VMPSD40	NA
ANGLE REFLECTOR (Polyester reinforced fiberglass)	VMPA40	NA
120VAC Photocell with FS Style Cover	VMFSPC1	NA
208-277VAC Photocell with FS Style Cover	VMFSPC2	NA
3-sided EXIT Accessory (use without guard)	VEXA100B	NA
Tank adapter to Crouse-Hinds <sup>®</sup> VM Series mounts (see pg 31)	VMCHVM	NA

OPTICS



ACCESSORIES



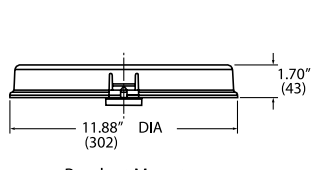
VM1L LED HOUSINGS WITH DRIVERS AND LEDS - ELECTRICAL RATINGS ①					
CAT. NO.	VOLTAGE 50/60HZ	WATTAGE	AMPS 120/277	CIL <sup>②</sup>	WEIGHT
VM1L4030	120-277VAC	40	.361/.16	5490	15.5 LBS
VM1L4530	120-277VAC	48.4	.416/.180	3960	15.5 LBS
VM1L5030	120-277VAC	50	.43/.18	7656	15.5 LBS

THERMAL PERFORMANCE DATA (ANY OPTIC)					
CAT. NO.	AMBIENT	C1D2	C2D1	L70	SUPPLY WIRE
VM1L4030	40°C	T6	T4(EFG)	61000	75°C
VM1L4030	55°C	T5	T4(EFG)	61000	90°C
VM1L4530	40°C	T4A	T4(EFG)	55000	75°C
VM1L4530	40°C	T4	T4(EFG)	50000	90°C
VM1L4530	40°C	T5	T4(EFG)	72600	75°C
VM1L4530	40°C	T4A	T4(EFG)	72600	90°C

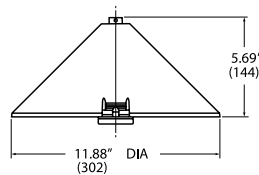
① Driver THD < 20%, Powerfactor 99% @ 120V; Line Regulation 2%; Load regulation 5%; Protected against Over-voltage and Over-current.

② CIL = Calculated Initial Lumens of LED component based on mfg. data and driver current INSIDE the optic. This value is provided as a reference only for comparison to traditional light sources such as incandescent, HID, or fluorescent which use initial values in "relative" photometry. KILLARK LED luminaires are tested using the Absolute photometry method (LM79-08), which calculates delivered lumens only. KILLARK's LED luminaires provide very bright white 5000K (CCT) color and can appear brighter than traditional light sources with higher lumen values under both photopic and scotopic conditions.

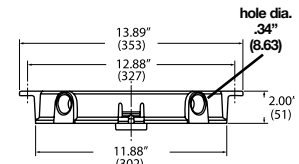
③ VMRWG8 Plated Steel, VMRWGS 316 Stainless Steel.



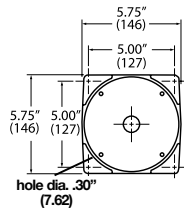
Pendant Mount



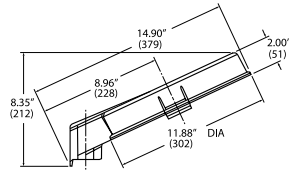
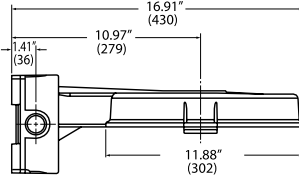
Cone Mount



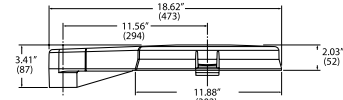
Ceiling Mount



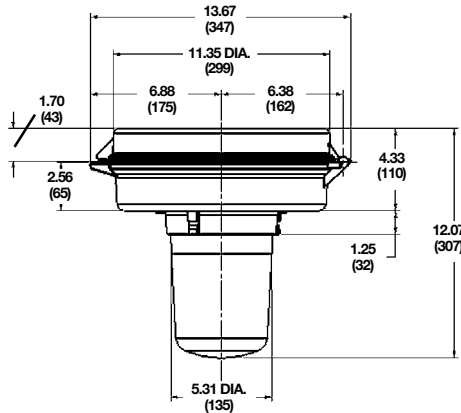
Wall Bracket Mount



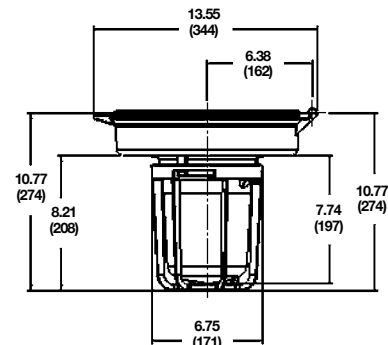
Stanchion(25°) Mount



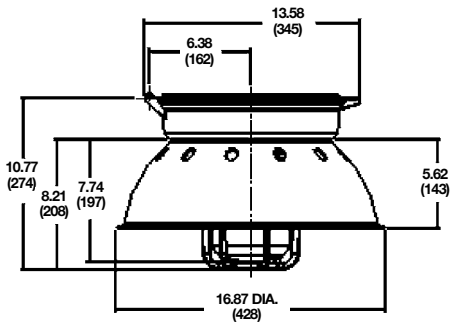
Stanchion(0°) Mount



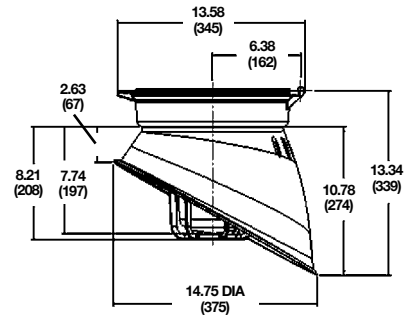
VM1L Tank w/Pendant Mount & Globe



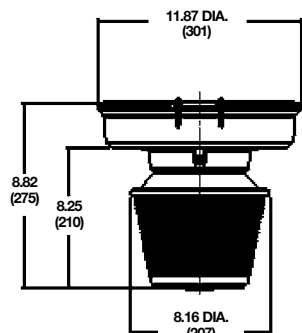
VM1L Tank Globe & Guard



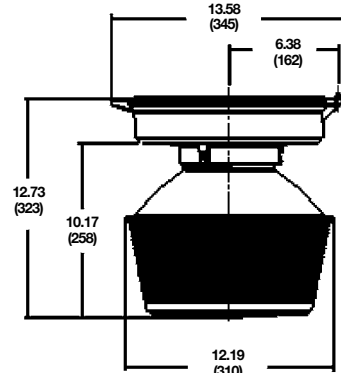
VM1L Tank with Dome Refractor



VM1L Tank with Angle Refractor



VM1L Tank with 8" Spin-top Refractor



VM1L Tank with 12" Spin-top Refractor



Typical Weights (lbs.) with Standard Globe and Guard - VM1L Series			
Pendant 23.00	Ceiling 24.10	Wall 27.50	Stanchion 23.90

Expanded wattage range and shallower depth VM2LB & VM2LC models



VM2LB with Globe/Guard



VM4LB with Globe/Guard



VM4LC with Flat Lens

Class I, Div. 2, Groups A,B,C,D  
Class I, Zone 2, Groups IIC, IIB, IIA  
Class II, Div. 1 & 2, Groups E,F,G  
Class III  
Suitable for wet locations  
NEMA 3, 4X  
IP66  
Marine

Certified - File LR11713

Contact Factory for other certification details

## FEATURES-SPECIFICATIONS

RETURN to Index



### Applications

CERTALITE® V VM4L LED fixtures are designed for installations where moisture, dirt, dust, corrosion and vibration may be present, or NEMA 3 and 4X areas where wind, water, snow or high ambients can be expected. They can be used in locations made hazardous by the presence of flammable vapors or gases or combustible dusts as defined by the NEC/CEC.

Typical applications include manufacturing plants, food processing, and certain chemical and petrochemical processing facilities, sewage treatment plants, off-shore and dockside installations, garages and storage facilities.

### Compliances

- UL-8750 for LED lighting
- UL-844 Standard for lighting fixtures for hazardous locations, Class I, Division 2; Class II, Divisions 1 and 2; Class III
- CSA C22.2 no. 137-M1981 electric luminaires for use in hazardous locations
- Enclosed and gasketed
- NEMA 3, 4X
- IP66 & Marine

### Materials

- Ballast tank, splice box and cast guards corrosion resistant copper-free aluminum alloy
- Baked powder epoxy/polyester finish, electrostatically applied for complete, uniform corrosion protection
- All external hardware - stainless steel
- Reflectors - Polyester reinforced fiber glass or aluminum

### LED Luminaire Features and Standards

- Traditional Industrial Appearance, Suitability, and Photometric Performance

- Wide variety of optics including globes, globes with reflectors, all-glass refractors, spin-top refractors and flat lens
- Swing-Barrel Nut patented tank mounting system
- Optional Mounting arrangements including Pendant, Wall, Ceiling, Stanchion and others
- VM4L LED Housings can be retrofitted to existing VM splice boxes; upgrade from HID sources
- **VM2Lx housing is 1.56" shallower for low ceilings to 65 Watt**
- Crisp White Light for Excellent Color Rendering - Chromaticity 5000K (CTT range); approx. 70 CRI
- Energy Savings - less than 130 Watts of Power
- Long Life - 50,000 - 55,000 maintenance free hours to 70% initial lumens
- Ambient suitability -40°C to 55°C
- Instant On - Including after power interruption
- World Voltage 120 - 277VAC 50/60Hz
- Solder-LESS LED Board Connections - Vibration Resistant
- Dual Drivers - Redundant Systems (built-in backup) for most models, or for additional energy savings half of fixture can be turned off
- LM80-08\* Measurement of lumen maintenance for LED light sources (including TM-21)
- LM79-08\* Certified "Absolute" Photometry, including Chromaticity Color for Solid State Lighting
- L70 Values - Industry Nomenclature for Hours of use to 70% of Initial Lumens
- Two LED internal heat sink styles - Bulb style VM4LB/VM4LC - Concave VM2LC/VM4LC

Supplemental surge protection included as standard for AC models only

\* LM-xx + TM-21 are Illumination Engineering Society standards designed to promote uniformity in testing procedures among test labs and manufacturers. For more information go to [www.ies.org](http://www.ies.org)

### Swing-Barrel Nut (Patented)



### NEW! LED INTERNAL Heat Sinks

Bulb style (VM4LB) offers traditional appearance - important in facility upgrades. Maximum lumen output, but has more glare at line-of-sight mounting heights.

Concave style (VM4LC) models can use all optics plus new patent pending VZRxF12 flat Spin-Top for a compact profile. Recessed concave LED array produces less glare.

**NEW!**  
**NON-GLASS**  
FOOD SUITABILITY

**Non-Glass Polycarbonate 12" Flat Lens**

Patent Pending



# CERTILITE<sup>®</sup>V

## The Logical Choice

### CertiLite<sup>®</sup>V LED Catalog Number Logic

VM2L or VM4L B 130 30 0 0 00

#### Housing Series

7-3/4" thread w/driver and LED's

- B—Bulb heat sink
- C—Concave heat sink

#### Lamp Wattage

Approx. VA (wattage) of driver & LED's

- 040W LED VM2, VM4
- 050W LED VM2, VM4
- 055W LED VM2, VM4
- 065W LED VM2, VM4
- 070W LED VM4
- 080W LED VM4
- 090W LED VM4
- 100W LED VM4
- 105W LED VM4
- 130W LED VM4

#### Voltage

- 30—120-277VAC 50/60 Hz<sup>①</sup>
- 33—347-480VAC 50/60Hz<sup>②</sup>
- 34—120-250VDC (to 105W)<sup>②</sup>

#### Mounting Type

- A—Pendant
- X—Ceiling
- B—Wall Bracket
- C—Cone Top
- E—EZ Mount Adapter<sup>③</sup>
- D—Stanchion 25°
- S—Stanchion Straight 90°
- N—None (mount ordered separately)<sup>④</sup>

#### Entry (Mounts available)

- 2—3/4" NPT (A,B,C,X)
- 3—1" NPT (A,B,C,X)
- 4—1 1/4" NPT (D,S)
- 5—1 1/2" NPT (D,S)
- 6—3/4" NPT 5-Hub (X)
- 7—1" NPT 5-Hub (X)
- 8—M20 4-Hub (X)
- 9—M25 5-Hub (X)
- Z—EZ Mount Adapter<sup>③</sup>
- N—None (mount ordered separately)<sup>④</sup>



Recommended energy saving replacement for VM4L12030 is VM4LC07030 (lumen equivalent)



Higher efficiency LED's require NO external heat sink

0

#### Guard

- G—Guard (Globes & Glass refractors)
- N—No Guard

#### Optic

- GL—Globe
- R5—Type V Refractor (all glass)
- ER—Enclosed Reflector
- EP—Polycarbonate Shielded Enclosed Reflector\*
- P5—12" Type V Polycarbonate Spin-Top\*
- S5—Type V 12" Spin-Top Refractor
- PF—Spin-Top with flat poly lens (VM2LC and VM4LC only)
- GF—Spin-Top with flat glass lens (VM2LC and VM4LC only)

00

#### Options/Accessories

- F—Single Fuse<sup>⑤</sup>
- FF—Double Fuse<sup>⑤</sup>
- TBx—Terminal Blocks x= Variations (May be alphanumeric to indicate terminals)
- P1—Photocell 120V<sup>⑥</sup> Factory Installed
- P2—Photocell 208-277V<sup>⑥</sup> Factory Installed
- P3—Photocell 347V<sup>⑥</sup> Factory Installed
- SP—Surge Protection<sup>⑦</sup>
- QD—QD Wired at Ballast<sup>⑧</sup>
- CP—Component Pack (Tank w/mount, optic, guard- LED's included in tank)
- AN—Assembled (Tank w/mount, optic, guard- LED's included in tank)
- Accessories—See <sup>⑧</sup> below

- ① 40W, 50W, 55W, 65W, 70W single driver; 80W -130W dual drivers
- ② 105W max.
- ③ Completes as "EZ", conduit mounting boxes ordered separately - See catalog grids.
- ④ Completes as NN-Mount ordered separately.
- ⑤ Fusing not for Marine or Canadian installations.
- ⑥ Photo cells for Class I, Div. 2 only.
- ⑦ QD = Quick Disconnect. Allows easy tank removal for maintenance. Electrician simply unplugs tank from mount for fixture relocation or repair due to impact damage.
- ⑧ Accessories - Shown for ordering convenience (shipped separately)
 

S	VMPSD40	Fiberglass White Reflector
A	VMPA40	Fiberglass ANGLE White Reflector
D	HRD400	Deep White Reflector
Z	HRD400ALZ	Deep Alzak Reflector
- ⑨ One supplemental surge protector for both drivers is included as standard. Option SP is needed only for applications where the two drivers (80 - 130W) will be powered separately AND each circuit requires additional protection.

**\*Non-glass Group G Food Processing Suitability**





# KILLARK LED

VM2LB, VM2LC SERIES  
VM4LB, VM4LC SERIES

# High Wattage Pendant Mount

## Ordering Information



Globe & Guard or  
Glass Refractor & Guard



Spin-Top Poly or Glass  
Flat Lens VM4LC only



Spin-Top Poly or  
Glass Refractor



Enclosed Reflector



Poly Food Optic

VM4LB SERIES CEILING WITH OPTIC AND GUARD ①								
WATTS	HUB SIZE ②	VOLTAGE ③	GLOBE & GUARD	TYPE V GLASS REFRACTOR & GUARD	12" SPIN-TOP TYPE V GLASS REFRACTOR & GUARD	12" SPIN-TOP TYPE V POLYCARBONATE REFRACTOR & GUARD	ENCLOSED REFLECTOR	POLYCARBONATE FOOD OPTIC
40Ⓞ	3/4"	120-277VAC	VM4LB04030A2GLG	VM4LB04030A2R5G	VM4LB04030A2S5G	VM4LB04030A2P5G	VM4LB04030A2ERN	VM4LB04030A2EPN
50Ⓞ	3/4"	120-277VAC	VM4LB05030A2GLG	VM4LB05030A2R5G	VM4LB05030A2S5G	VM4LB05030A2P5G	VM4LB05030A2ERN	VM4LB05030A2EPN
55Ⓞ	3/4"	120-277VAC	VM4LB05530A2GLG	VM4LB05530A2R5G	VM4LB05530A2S5G	VM4LB05530A2P5G	VM4LB05530A2ERN	VM4LB05530A2EPN
65Ⓞ	3/4"	120-277VAC	VM4LB06530A2GLG	VM4LB06530A2R5G	VM4LB06530A2S5G	VM4LB06530A2P5G	VM4LB06530A2ERN	VM4LB06530A2EPN
70	3/4"	120-277VAC	VM4LB07030A2GLG	VM4LB07030A2R5G	VM4LB07030A2S5G	VM4LB07030A2P5G	VM4LB07030A2ERN	VM4LB07030A2EPN
80	3/4"	120-277VAC	VM4LB08030A2GLG	VM4LB08030A2R5G	VM4LB08030A2S5G	VM4LB08030A2P5G	VM4LB08030A2ERN	VM4LB08030A2EPN
90	3/4"	120-277VAC	VM4LB09030A2GLG	VM4LB09030A2R5G	VM4LB09030A2S5G	VM4LB09030A2P5G	VM4LB09030A2ERN	VM4LB09030A2EPN
100	3/4"	120-277VAC	VM4LB10030A2GLG	VM4LB10030A2R5G	VM4LB10030A2S5G	VM4LB10030A2P5G	VM4LB10030A2ERN	VM4LB10030A2EPN
105	3/4"	120-277VAC	VM4LB10530A2GLG	VM4LB10530A2R5G	VM4LB10530A2S5G	VM4LB10530A2P5G	VM4LB10530A2ERN	VM4LB10530A2EPN
130	3/4"	120-277VAC	VM4LB13030A2GLG	VM4LB13030A2R5G	VM4LB13030A2S5G	VM4LB13030A2P5G	VM4LB13030A2ERN	VM4LB13030A2EPN

VM4LC SERIES PENDANT WITH OPTIC AND GUARD ①								
WATTS	HUB SIZE ②	VOLTAGE ③	GLOBE & GUARD	12" SPIN-TOP POLYCARBONATE FLAT LENS* ④	TYPE V GLASS REFRACTOR & GUARD	12" SPIN-TOP TYPE V GLASS REFRACTOR & GUARD	12" SPIN-TOP TYPE V POLYCARBONATE REFRACTOR & GUARD	POLYCARBONATE FOOD OPTIC
40Ⓞ	3/4"	120-277VAC	VM4LC04030A2GLG	VM4LC04030A2PFN	VM4LC04030A2R5G	VM4LC04030A2S5G	VM4LC04030A2P5G	VM4LC04030A2EPN
50Ⓞ	3/4"	120-277VAC	VM4LC05030A2GLG	VM4LC05030A2PFN	VM4LC05030A2R5G	VM4LC05030A2S5G	VM4LC05030A2P5G	VM4LC05030A2EPN
55Ⓞ	3/4"	120-277VAC	VM4LC05530A2GLG	VM4LC05530A2PFN	VM4LC05530A2R5G	VM4LC05530A2S5G	VM4LC05530A2P5G	VM4LC05530A2EPN
65Ⓞ	3/4"	120-277VAC	VM4LC06530A2GLG	VM4LC06530A2PFN	VM4LC06530A2R5G	VM4LC06530A2S5G	VM4LC06530A2P5G	VM4LC06530A2EPN
70	3/4"	120-277VAC	VM4LC07030A2GLG	VM4LC07030A2PFN	VM4LC07030A2R5G	VM4LC07030A2S5G	VM4LC07030A2P5G	VM4LC07030A2EPN
80	3/4"	120-277VAC	VM4LC08030A2GLG	VM4LC08030A2PFN	VM4LC08030A2R5G	VM4LC08030A2S5G	VM4LC08030A2P5G	VM4LC08030A2EPN
90	3/4"	120-277VAC	VM4LC09030A2GLG	VM4LC09030A2PFN	VM4LC09030A2R5G	VM4LC09030A2S5G	VM4LC09030A2P5G	VM4LC09030A2EPN
100	3/4"	120-277VAC	VM4LC10030A2GLG	VM4LC10030A2PFN	VM4LC10030A2R5G	VM4LC10030A2S5G	VM4LC10030A2P5G	VM4LC10030A2EPN
105	3/4"	120-277VAC	VM4LC10530A2GLG	VM4LC10530A2PFN	VM4LC10530A2R5G	VM4LC10530A2S5G	VM4LC10530A2P5G	VM4LC10530A2EPN
130	3/4"	120-277VAC	VM4LC13030A2GLG	VM4LC13030A2PFN	VM4LC13030A2R5G	VM4LC13030A2S5G	VM4LC13030A2P5G	VM4LC13030A2EPN

① Catalog numbers shown are with Guard (except ER/EP/PF); to omit guard change ending G to N; e.g. VM4LB05530X2GLN.

② Catalog numbers shown are with 3/4" conduit openings; change "2" to "3" for 1"; e.g. VM4LB05530X3GLG.

③ 120VAC through 277VAC 50/60Hz. See logic for other voltages.

④ 40, 50, 55 and 65W are available in VM2LB/VM2LC shallower housings. Substitute VM2L for VM4L in catalog number.

\* For Glass 12" Spin-Top Flat Lens change PFN to GFN at end of catalog number.



**KILLARK**

# KILLARK LED

VM2LB, VM2LC SERIES  
VM4LB, VM4LC SERIES

# High Wattage Ceiling Mount

## Ordering Information



Globe & Guard or  
Glass Refractor & Guard



Spin-Top Poly or Glass  
Flat Lens



Spin-Top Poly or  
Glass Refractor



Enclosed Reflector



Poly Food Optic

VM4LB SERIES CEILING WITH OPTIC AND GUARD ①								
WATTS	HUB SIZE ②	VOLTAGE ③	GLOBE & GUARD	TYPE V GLASS REFRACTOR & GUARD	12" SPIN-TOP TYPE V GLASS REFRACTOR & GUARD	12" SPIN-TOP TYPE V POLYCARBONATE REFRACTOR & GUARD	ENCLOSED REFLECTOR	POLYCARBONATE FOOD OPTIC
40④	3/4"	120-277VAC	VM4LB04030X2GLG	VM4LB04030X2R5G	VM4LB04030X2S5G	VM4LB04030X2P5G	VM4LB04030X2ERN	VM4LB04030X2EPN
50④	3/4"	120-277VAC	VM4LB05030X2GLG	VM4LB05030X2R5G	VM4LB05030X2S5G	VM4LB05030X2P5G	VM4LB05030X2ERN	VM4LB05030X2EPN
55④	3/4"	120-277VAC	VM4LB05530X2GLG	VM4LB05530X2R5G	VM4LB05530X2S5G	VM4LB05530X2P5G	VM4LB05530X2ERN	VM4LB05530X2EPN
65④	3/4"	120-277VAC	VM4LB06530X2GLG	VM4LB06530X2R5G	VM4LB06530X2S5G	VM4LB06530X2P5G	VM4LB06530X2ERN	VM4LB06530X2EPN
70	3/4"	120-277VAC	VM4LB07030X2GLG	VM4LB07030X2R5G	VM4LB07030X2S5G	VM4LB07030X2P5G	VM4LB07030X2ERN	VM4LB07030X2EPN
80	3/4"	120-277VAC	VM4LB08030X2GLG	VM4LB08030X2R5G	VM4LB08030X2S5G	VM4LB08030X2P5G	VM4LB08030X2ERN	VM4LB08030X2EPN
90	3/4"	120-277VAC	VM4LB09030X2GLG	VM4LB09030X2R5G	VM4LB09030X2S5G	VM4LB09030X2P5G	VM4LB09030X2ERN	VM4LB09030X2EPN
100	3/4"	120-277VAC	VM4LB10030X2GLG	VM4LB10030X2R5G	VM4LB10030X2S5G	VM4LB10030X2P5G	VM4LB10030X2ERN	VM4LB10030X2EPN
105	3/4"	120-277VAC	VM4LB10530X2GLG	VM4LB10530X2R5G	VM4LB10530X2S5G	VM4LB10530X2P5G	VM4LB10530X2ERN	VM4LB10530X2EPN
130	3/4"	120-277VAC	VM4LB13030X2GLG	VM4LB13030X2R5G	VM4LB13030X2S5G	VM4LB13030X2P5G	VM4LB13030X2ERN	VM4LB13030X2EPN

VM4LC SERIES CEILING WITH OPTIC AND GUARD ①								
WATTS	HUB SIZE ②	VOLTAGE ③	GLOBE & GUARD	12" SPIN-TOP POLYCARBONATE FLAT LENS* ④	TYPE V GLASS REFRACTOR & GUARD	12" SPIN-TOP TYPE V GLASS REFRACTOR & GUARD	12" SPIN-TOP TYPE V POLYCARBONATE REFRACTOR & GUARD	POLYCARBONATE FOOD OPTIC
40④	3/4"	120-277VAC	VM4LC04030X2GLG	VM4LC04030X2PFN	VM4LC04030X2R5G	VM4LC04030X2S5G	VM4LC04030X2P5G	VM4LC04030X2EPN
50④	3/4"	120-277VAC	VM4LC05030X2GLG	VM4LC05030X2PFN	VM4LC05030X2R5G	VM4LC05030X2S5G	VM4LC05030X2P5G	VM4LC05030X2EPN
55④	3/4"	120-277VAC	VM4LC05530X2GLG	VM4LC05530X2PFN	VM4LC05530X2R5G	VM4LC05530X2S5G	VM4LC05530X2P5G	VM4LC05530X2EPN
65④	3/4"	120-277VAC	VM4LC06530X2GLG	VM4LC06530X2PFN	VM4LC06530X2R5G	VM4LC06530X2S5G	VM4LC06530X2P5G	VM4LC06530X2EPN
70	3/4"	120-277VAC	VM4LC07030X2GLG	VM4LC07030X2PFN	VM4LC07030X2R5G	VM4LC07030X2S5G	VM4LC07030X2P5G	VM4LC07030X2EPN
80	3/4"	120-277VAC	VM4LC08030X2GLG	VM4LC08030X2PFN	VM4LC08030X2R5G	VM4LC08030X2S5G	VM4LC08030X2P5G	VM4LC08030X2EPN
90	3/4"	120-277VAC	VM4LC09030X2GLG	VM4LC09030X2PFN	VM4LC09030X2R5G	VM4LC09030X2S5G	VM4LC09030X2P5G	VM4LC09030X2EPN
100	3/4"	120-277VAC	VM4LC10030X2GLG	VM4LC10030X2PFN	VM4LC10030X2R5G	VM4LC10030X2S5G	VM4LC10030X2P5G	VM4LC10030X2EPN
105	3/4"	120-277VAC	VM4LC10530X2GLG	VM4LC10530X2PFN	VM4LC10530X2R5G	VM4LC10530X2S5G	VM4LC10530X2P5G	VM4LC10530X2EPN
130	3/4"	120-277VAC	VM4LC13030X2GLG	VM4LC13030X2PFN	VM4LC13030X2R5G	VM4LC13030X2S5G	VM4LC13030X2P5G	VM4LC13030X2EPN

① Catalog numbers shown are with Guard (except ER/EP/PF); to omit guard change ending G to N; e.g. VM4LB05530X2GLN.

② Catalog numbers shown are with 3/4" conduit openings; change "2" to "3" for 1"; e.g. VM4LB05530X3GLG.

③ 120VAC through 277VAC 50/60Hz. See logic for other voltages.

④ 40, 50, 55 and 65W are available in VM2LB/VM2LC shallower housings. Substitute VM2L for VM4L in catalog number.

\* For Glass 12" Spin-Top Flat Lens change PFN to GFN at end of catalog number.



**KILLARK**

# KILLARK LED

VM2LB, VM2LC SERIES  
VM4LB, VM4LC SERIES

# High Wattage Wall Mount

## Ordering Information



Globe & Guard or  
Glass Refractor & Guard



Enclosed Reflector



Spin-Top Poly or Glass  
Flat Lens VM4LC only



Globe, Guard and Angle Reflector



Spin-Top Poly or  
Glass Refractor

VM4LB SERIES WALL WITH OPTIC AND GUARD ①								
WATTS	HUB SIZE ②	VOLTAGE ③	GLOBE & GUARD	TYPE V GLASS REFRACTOR & GUARD	12" SPIN-TOP TYPE V GLASS REFRACTOR & GUARD	12" SPIN-TOP TYPE V POLYCARBONATE REFRACTOR & GUARD	ENCLOSED REFLECTOR	GLOBE, GUARD & ANGLE REFLECTOR ④
40 ⑤	3/4"	120-277VAC	VM4LB04030B2GLG	VM4LB04030B2R5G	VM4LB04030B2S5G	VM4LB04030B2P5G	VM4LB04030B2ERN	VM4LB04030B2GLG-A
50 ⑤	3/4"	120-277VAC	VM4LB05030B2GLG	VM4LB05030B2R5G	VM4LB05030B2S5G	VM4LB05030B2P5G	VM4LB05030B2ERN	VM4LB05030B2GLG-A
55 ⑤	3/4"	120-277VAC	VM4LB05530B2GLG	VM4LB05530B2R5G	VM4LB05530B2S5G	VM4LB05530B2P5G	VM4LB05530B2ERN	VM4LB05530B2GLG-A
65 ⑤	3/4"	120-277VAC	VM4LB06530B2GLG	VM4LB06530B2R5G	VM4LB06530B2S5G	VM4LB06530B2P5G	VM4LB06530B2ERN	VM4LB06530B2GLG-A
70	3/4"	120-277VAC	VM4LB07030B2GLG	VM4LB07030B2R5G	VM4LB07030B2S5G	VM4LB07030B2P5G	VM4LB07030B2ERN	VM4LB07030B2GLG-A
80	3/4"	120-277VAC	VM4LB08030B2GLG	VM4LB08030B2R5G	VM4LB08030B2S5G	VM4LB08030B2P5G	VM4LB08030B2ERN	VM4LB08030B2GLG-A
90	3/4"	120-277VAC	VM4LB09030B2GLG	VM4LB09030B2R5G	VM4LB09030B2S5G	VM4LB09030B2P5G	VM4LB09030B2ERN	VM4LB09030B2GLG-A
100	3/4"	120-277VAC	VM4LB10030B2GLG	VM4LB10030B2R5G	VM4LB10030B2S5G	VM4LB10030B2P5G	VM4LB10030B2ERN	VM4LB10030B2GLG-A
105	3/4"	120-277VAC	VM4LB10530B2GLG	VM4LB10530B2R5G	VM4LB10530B2S5G	VM4LB10530B2P5G	VM4LB10530B2ERN	VM4LB10530B2GLG-A
130	3/4"	120-277VAC	VM4LB13030B2GLG	VM4LB13030B2R5G	VM4LB13030B2S5G	VM4LB13030B2P5G	VM4LB13030B2ERN	VM4LB13030B2GLG-A

VM4LC SERIES WALL WITH OPTIC AND GUARD ①								
WATTS	HUB SIZE ②	VOLTAGE ③	GLOBE & GUARD	12" SPIN-TOP POLYCARBONATE FLAT LENS* ⑤	TYPE V GLASS REFRACTOR & GUARD	12" SPIN-TOP TYPE V GLASS REFRACTOR & GUARD	12" SPIN-TOP TYPE V POLYCARBONATE REFRACTOR & GUARD	GLOBE, GUARD & ANGLE REFLECTOR ④
40 ⑤	3/4"	120-277VAC	VM4LC04030B2GLG	VM4LC04030B2PFN	VM4LC04030B2R5G	VM4LC04030B2S5G	VM4LC04030B2P5G	VM4LC04030B2GLG-A
50 ⑤	3/4"	120-277VAC	VM4LC05030B2GLG	VM4LC05030B2PFN	VM4LC05030B2R5G	VM4LC05030B2S5G	VM4LC05030B2P5G	VM4LC05030B2GLG-A
55 ⑤	3/4"	120-277VAC	VM4LC05530B2GLG	VM4LC05530B2PFN	VM4LC05530B2R5G	VM4LC05530B2S5G	VM4LC05530B2P5G	VM4LC05530B2GLG-A
65 ⑤	3/4"	120-277VAC	VM4LC06530B2GLG	VM4LC06530B2PFN	VM4LC06530B2R5G	VM4LC06530B2S5G	VM4LC06530B2P5G	VM4LC06530B2GLG-A
70	3/4"	120-277VAC	VM4LC07030B2GLG	VM4LC07030B2PFN	VM4LC07030B2R5G	VM4LC07030B2S5G	VM4LC07030B2P5G	VM4LC07030B2GLG-A
80	3/4"	120-277VAC	VM4LC08030B2GLG	VM4LC08030B2PFN	VM4LC08030B2R5G	VM4LC08030B2S5G	VM4LC08030B2P5G	VM4LC08030B2GLG-A
90	3/4"	120-277VAC	VM4LC09030B2GLG	VM4LC09030B2PFN	VM4LC09030B2R5G	VM4LC09030B2S5G	VM4LC09030B2P5G	VM4LC09030B2GLG-A
100	3/4"	120-277VAC	VM4LC10030B2GLG	VM4LC10030B2PFN	VM4LC10030B2R5G	VM4LC10030B2S5G	VM4LC10030B2P5G	VM4LC10030B2GLG-A
105	3/4"	120-277VAC	VM4LC10530B2GLG	VM4LC10530B2PFN	VM4LC10530B2R5G	VM4LC10530B2S5G	VM4LC10530B2P5G	VM4LC10530B2GLG-A
130	3/4"	120-277VAC	VM4LC13030B2GLG	VM4LC13030B2PFN	VM4LC13030B2R5G	VM4LC13030B2S5G	VM4LC13030B2P5G	VM4LC13030B2GLG-A

① Catalog numbers shown are with Guard (except ER/EP/PF); to omit guard change ending G to N; e.g. VM4LB05530B2GLN.

② Catalog numbers shown are with 3/4" conduit openings; change "2" to "3" for 1"; e.g. VM4LB05530B3GLG.

③ 120VAC through 277VAC 50/60Hz. See logic for other voltages.

④ See logic for reflector ordering options or order angle reflector VMPA40 separately.

⑤ 40, 50, 55 and 65W are available in VM2LB/VM2LC shallower housings. Substitute VM2L for VM4L in catalog number.

\* For Glass 12" Spin-Top Flat Lens change PFN to GFN at end of catalog number.



**KILLARK**

# KILLARK LED

VM2LB, VM2LC SERIES  
VM4LB, VM4LC SERIES

# High Wattage Cone Mount

## Ordering Information



Globe & Guard or  
Glass Refractor & Guard



Enclosed  
Reflector



Spin-Top Poly or  
Glass Flat Lens



Poly Food Optic



Spin-Top Poly or  
Glass Refractor

### VM4LB SERIES CONE WITH OPTIC AND GUARD ①

WATTS	HUB SIZE ②	VOLTAGE ③	GLOBE & GUARD	TYPE V GLASS REFRACTOR & GUARD	12" SPIN-TOP TYPE V GLASS REFRACTOR & GUARD	12" SPIN-TOP TYPE V POLYCARBONATE REFRACTOR & GUARD	ENCLOSED REFLECTOR	POLYCARBONATE FOOD OPTIC
40Ⓞ	3/4"	120-277VAC	VM4LB04030C2GLG	VM4LB04030C2R5G	VM4LB04030C2S5G	VM4LB04030C2P5G	VM4LB04030C2ERN	VM4LB04030C2EPN
50Ⓞ	3/4"	120-277VAC	VM4LB05030C2GLG	VM4LB05030C2R5G	VM4LB05030C2S5G	VM4LB05030C2P5G	VM4LB05030C2ERN	VM4LB05030C2EPN
55Ⓞ	3/4"	120-277VAC	VM4LB05530C2GLG	VM4LB05530C2R5G	VM4LB05530C2S5G	VM4LB05530C2P5G	VM4LB05530C2ERN	VM4LB05530C2EPN
65Ⓞ	3/4"	120-277VAC	VM4LB06530C2GLG	VM4LB06530C2R5G	VM4LB06530C2S5G	VM4LB06530C2P5G	VM4LB06530C2ERN	VM4LB06530C2EPN
70	3/4"	120-277VAC	VM4LB07030C2GLG	VM4LB07030C2R5G	VM4LB07030C2S5G	VM4LB07030C2P5G	VM4LB07030C2ERN	VM4LB07030C2EPN
80	3/4"	120-277VAC	VM4LB08030C2GLG	VM4LB08030C2R5G	VM4LB08030C2S5G	VM4LB08030C2P5G	VM4LB08030C2ERN	VM4LB08030C2EPN
90	3/4"	120-277VAC	VM4LB09030C2GLG	VM4LB09030C2R5G	VM4LB09030C2S5G	VM4LB09030C2P5G	VM4LB09030C2ERN	VM4LB09030C2EPN
100	3/4"	120-277VAC	VM4LB10030C2GLG	VM4LB10030C2R5G	VM4LB10030C2S5G	VM4LB10030C2P5G	VM4LB10030C2ERN	VM4LB10030C2EPN
105	3/4"	120-277VAC	VM4LB10530C2GLG	VM4LB10530C2R5G	VM4LB10530C2S5G	VM4LB10530C2P5G	VM4LB10530C2ERN	VM4LB10530C2EPN
130	3/4"	120-277VAC	VM4LB13030C2GLG	VM4LB13030C2R5G	VM4LB13030C2S5G	VM4LB13030C2P5G	VM4LB13030C2ERN	VM4LB13030C2EPN

### VM4LC SERIES CONE WITH OPTIC AND GUARD ①

WATTS	HUB SIZE ②	VOLTAGE ③	GLOBE & GUARD	12" SPIN-TOP POLYCARBONATE FLAT LENS* ④	TYPE V GLASS REFRACTOR & GUARD	12" SPIN-TOP TYPE V GLASS REFRACTOR & GUARD	12" SPIN-TOP TYPE V POLYCARBONATE REFRACTOR & GUARD	POLYCARBONATE FOOD OPTIC
40Ⓞ	3/4"	120-277VAC	VM4LC04030C2GLG	VM4LC04030C2PFN	VM4LC04030C2R5G	VM4LC04030C2S5G	VM4LC04030C2P5G	VM4LC04030C2EPN
50Ⓞ	3/4"	120-277VAC	VM4LC05030C2GLG	VM4LC05030C2PFN	VM4LC05030C2R5G	VM4LC05030C2S5G	VM4LC05030C2P5G	VM4LC05030C2EPN
55Ⓞ	3/4"	120-277VAC	VM4LC05530C2GLG	VM4LC05530C2PFN	VM4LC05530C2R5G	VM4LC05530C2S5G	VM4LC05530C2P5G	VM4LC05530C2EPN
65Ⓞ	3/4"	120-277VAC	VM4LC06530C2GLG	VM4LC06530C2PFN	VM4LC06530C2R5G	VM4LC06530C2S5G	VM4LC06530C2P5G	VM4LC06530C2EPN
70	3/4"	120-277VAC	VM4LC07030C2GLG	VM4LC07030C2PFN	VM4LC07030C2R5G	VM4LC07030C2S5G	VM4LC07030C2P5G	VM4LC07030C2EPN
80	3/4"	120-277VAC	VM4LC08030C2GLG	VM4LC08030C2PFN	VM4LC08030C2R5G	VM4LC08030C2S5G	VM4LC08030C2P5G	VM4LC08030C2EPN
90	3/4"	120-277VAC	VM4LC09030C2GLG	VM4LC09030C2PFN	VM4LC09030C2R5G	VM4LC09030C2S5G	VM4LC09030C2P5G	VM4LC09030C2EPN
100	3/4"	120-277VAC	VM4LC10030C2GLG	VM4LC10030C2PFN	VM4LC10030C2R5G	VM4LC10030C2S5G	VM4LC10030C2P5G	VM4LC10030C2EPN
105	3/4"	120-277VAC	VM4LC10530C2GLG	VM4LC10530C2PFN	VM4LC10530C2R5G	VM4LC10530C2S5G	VM4LC10530C2P5G	VM4LC10530C2EPN
130	3/4"	120-277VAC	VM4LC13030C2GLG	VM4LC13030C2PFN	VM4LC13030C2R5G	VM4LC13030C2S5G	VM4LC13030C2P5G	VM4LC13030C2EPN

① Catalog numbers shown are with Guard (except ER/EP/PF); to omit guard change ending G to N; e.g. VM4LB05530C2GLN.

② Catalog numbers shown are with 3/4" conduit openings; change "2" to "3" for 1"; e.g. VM4LB05530C3GLG.

③ 120VAC through 277VAC 50/60Hz. See logic for other voltages.

④ 40, 50, 55 and 65W are available in VM2LB/VM2LC shallower housings. Substitute VM2L for VM4L in catalog number.

\* For Glass 12" Spin-Top Flat Lens change PFN to GFN at end of catalog number.



**KILLARK®**



# KILLARK LED

VM2LB, VM2LC SERIES  
VM4LB, VM4LC SERIES

# High Wattage 25° Stanchion Mount

## Ordering Information



Globe & Guard or  
Glass Refractor & Guard



Spin-Top Poly or  
Glass Refractor



Globe Guard &  
Angle Reflector



Spin-Top Poly or  
Glass Flat Lens



Enclosed  
Reflector

VM4LB SERIES 25° STANCHION WITH OPTIC AND GUARD ①								
WATTS	HUB SIZE ②	VOLTAGE ③	GLOBE & GUARD	TYPE V GLASS REFRACTOR & GUARD	12" SPIN-TOP TYPE V GLASS REFRACTOR & GUARD	12" SPIN-TOP TYPE V POLYCARBONATE REFRACTOR & GUARD	ENCLOSED REFLECTOR	GLOBE, GUARD & ANGLE REFLECTOR ④
40 ⑤	1-1/2"	120-277VAC	VM4LB04030D5GLG	VM4LB04030D5R5G	VM4LB04030D5S5G	VM4LB04030D5P5G	VM4LB04030D5ERN	VM4LB040D5GLG-A
50 ⑤	1-1/2"	120-277VAC	VM4LB05030D5GLG	VM4LB05030D5R5G	VM4LB05030D5S5G	VM4LB05030D5P5G	VM4LB05030D5ERN	VM4LB050D5GLG-A
55 ⑤	1-1/2"	120-277VAC	VM4LB05530D5GLG	VM4LB05530D5R5G	VM4LB05530D5S5G	VM4LB05530D5P5G	VM4LB05530D5ERN	VM4LB055D5GLG-A
65 ⑤	1-1/2"	120-277VAC	VM4LB06530D5GLG	VM4LB06530D5R5G	VM4LB06530D5S5G	VM4LB06530D5P5G	VM4LB06530D5ERN	VM4LB065D5GLG-A
70	1-1/2"	120-277VAC	VM4LB07030D5GLG	VM4LB07030D5R5G	VM4LB07030D5S5G	VM4LB07030D5P5G	VM4LB07030D5ERN	VM4LB070D5GLG-A
80	1-1/2"	120-277VAC	VM4LB08030D5GLG	VM4LB08030D5R5G	VM4LB08030D5S5G	VM4LB08030D5P5G	VM4LB08030D5ERN	VM4LB080D5GLG-A
90	1-1/2"	120-277VAC	VM4LB09030D5GLG	VM4LB09030D5R5G	VM4LB09030D5S5G	VM4LB09030D5P5G	VM4LB09030D5ERN	VM4LB090D5GLG-A
100	1-1/2"	120-277VAC	VM4LB10030D5GLG	VM4LB10030D5R5G	VM4LB10030D5S5G	VM4LB10030D5P5G	VM4LB10030D5ERN	VM4LB100D5GLG-A
105	1-1/2"	120-277VAC	VM4LB10530D5GLG	VM4LB10530D5R5G	VM4LB10530D5S5G	VM4LB10530D5P5G	VM4LB10530D5ERN	VM4LB105D5GLG-A
130	1-1/2"	120-277VAC	VM4LB13030D5GLG	VM4LB13030D5R5G	VM4LB13030D5S5G	VM4LB13030D5P5G	VM4LB13030D5ERN	VM4LB130D5GLG-A

VM4LC SERIES 25° STANCHION WITH OPTIC AND GUARD ①								
WATTS	HUB SIZE ②	VOLTAGE ③	GLOBE & GUARD	12" SPIN-TOP POLYCARBONATE FLAT LENS* ⑤	TYPE V GLASS REFRACTOR & GUARD	12" SPIN-TOP TYPE V GLASS REFRACTOR & GUARD	12" SPIN-TOP TYPE V POLYCARBONATE REFRACTOR & GUARD	GLOBE, GUARD & ANGLE REFLECTOR ④
40 ⑤	1-1/2"	120-277VAC	VM4LC04030D5GLG	VM4LC04030D5PFN	VM4LC04030D5R5G	VM4LC04030D5S5G	VM4LC04030D5P5G	VM4LC04030D5GLG-A
50 ⑤	1-1/2"	120-277VAC	VM4LC05030D5GLG	VM4LC05030D5PFN	VM4LC05030D5R5G	VM4LC05030D5S5G	VM4LC05030D5P5G	VM4LC05030D5GLG-A
55 ⑤	1-1/2"	120-277VAC	VM4LC05530D5GLG	VM4LC05530D5PFN	VM4LC05530D5R5G	VM4LC05530D5S5G	VM4LC05530D5P5G	VM4LC05530D5GLG-A
65 ⑤	1-1/2"	120-277VAC	VM4LC06530D5GLG	VM4LC06530D5PFN	VM4LC06530D5R5G	VM4LC06530D5S5G	VM4LC06530D5P5G	VM4LC06530D5GLG-A
70	1-1/2"	120-277VAC	VM4LC07030D5GLG	VM4LC07030D5PFN	VM4LC07030D5R5G	VM4LC07030D5S5G	VM4LC07030D5P5G	VM4LC07030D5GLG-A
80	1-1/2"	120-277VAC	VM4LC08030D5GLG	VM4LC08030D5PFN	VM4LC08030D5R5G	VM4LC08030D5S5G	VM4LC08030D5P5G	VM4LC08030D5GLG-A
90	1-1/2"	120-277VAC	VM4LC09030D5GLG	VM4LC09030D5PFN	VM4LC09030D5R5G	VM4LC09030D5S5G	VM4LC09030D5P5G	VM4LC09030D5GLG-A
100	1-1/2"	120-277VAC	VM4LC10030D5GLG	VM4LC10030D5PFN	VM4LC10030D5R5G	VM4LC10030D5S5G	VM4LC10030D5P5G	VM4LC10030D5GLG-A
105	1-1/2"	120-277VAC	VM4LC10530D5GLG	VM4LC10530D5PFN	VM4LC10530D5R5G	VM4LC10530D5S5G	VM4LC10530D5P5G	VM4LC10530D5GLG-A
130	1-1/2"	120-277VAC	VM4LC13030D5GLG	VM4LC13030D5PFN	VM4LC13030D5R5G	VM4LC13030D5S5G	VM4LC13030D5P5G	VM4LC13030D5GLG-A

① Catalog numbers shown are with Guard (except ER/EP/PF); to omit guard change ending G to N; e.g. VM4LB05530D5GLN.

② Catalog numbers shown are with 1-1/2" conduit openings; change "5" to "4" for 1-1/4"; e.g. VM4LB05530D4GLG.

③ 120VAC through 277VAC 50/60Hz. See logic for other voltages.

④ See logic for reflector ordering options or order angle reflector VMPA40 separately.

⑤ 40, 50, 55 and 65W are available in VM2LB/VM2LC shallower housings. Substitute VM2L for VM4L in catalog number.

\* For Glass 12" Spin-Top Flat Lens change PFN to GFN at end of catalog number.



**KILLARK**

# KILLARK LED

VM2LB, VM2LC SERIES  
VM4LB, VM4LC SERIES

# High Wattage 90° Stanchion Mount

## Ordering Information



Globe & Guard or Glass  
Refractor & Guard



Spin-Top Poly or  
Glass Flat Lens



Spin-Top Poly or  
Glass Refractor



Enclosed Reflector



Globe, Guard and Dome Reflector

VM4LB SERIES STRAIGHT STANCHION WITH OPTIC AND GUARD ①								
WATTS	HUB SIZE ②	VOLTAGE ③	GLOBE & GUARD	TYPE V GLASS REFRACTOR & GUARD	12" SPIN-TOP TYPE V GLASS REFRACTOR & GUARD	12" SPIN-TOP TYPE V POLYCARBONATE REFRACTOR & GUARD	ENCLOSED REFLECTOR	GLOBE, GUARD AND DOME REFLECTOR ④
40 ⑤	1-1/2"	120-277VAC	VM4LB0403S5GLG	VM4LB0403S5R5G	VM4LB0403S5S5G	VM4LB0403S5P5G	VM4LB0403S5ERN	VM4LB040S5GLG-S
50 ⑤	1-1/2"	120-277VAC	VM4LB0503S5GLG	VM4LB0503S5R5G	VM4LB0503S5S5G	VM4LB0503S5P5G	VM4LB0503S5ERN	VM4LB050S5GLG-S
55 ⑤	1-1/2"	120-277VAC	VM4LB0553S5GLG	VM4LB0553S5R5G	VM4LB0553S5S5G	VM4LB0553S5P5G	VM4LB0553S5ERN	VM4LB055S5GLG-S
65 ⑤	1-1/2"	120-277VAC	VM4LB0653S5GLG	VM4LB0653S5R5G	VM4LB0653S5S5G	VM4LB0653S5P5G	VM4LB0653S5ERN	VM4LB065S5GLG-S
70	1-1/2"	120-277VAC	VM4LB0703S5GLG	VM4LB0703S5R5G	VM4LB0703S5S5G	VM4LB0703S5P5G	VM4LB0703S5ERN	VM4LB070S5GLG-S
80	1-1/2"	120-277VAC	VM4LB0803S5GLG	VM4LB0803S5R5G	VM4LB0803S5S5G	VM4LB0803S5P5G	VM4LB0803S5ERN	VM4LB080S5GLG-S
90	1-1/2"	120-277VAC	VM4LB0903S5GLG	VM4LB0903S5R5G	VM4LB0903S5S5G	VM4LB0903S5P5G	VM4LB0903S5ERN	VM4LB090S5GLG-S
100	1-1/2"	120-277VAC	VM4LB1003S5GLG	VM4LB1003S5R5G	VM4LB1003S5S5G	VM4LB1003S5P5G	VM4LB1003S5ERN	VM4LB100S5GLG-S
105	1-1/2"	120-277VAC	VM4LB1053S5GLG	VM4LB1053S5R5G	VM4LB1053S5S5G	VM4LB1053S5P5G	VM4LB1053S5ERN	VM4LB105S5GLG-S
130	1-1/2"	120-277VAC	VM4LB1303S5GLG	VM4LB1303S5R5G	VM4LB1303S5S5G	VM4LB1303S5P5G	VM4LB1303S5ERN	VM4LB130S5GLG-S

VM4LC SERIES STRAIGHT STANCHION WITH OPTIC AND GUARD ①								
WATTS	HUB SIZE ②	VOLTAGE ③	GLOBE & GUARD	12" SPIN-TOP POLYCARBONATE FLAT LENS* ④	TYPE V GLASS REFRACTOR & GUARD	12" SPIN-TOP TYPE V GLASS REFRACTOR & GUARD	12" SPIN-TOP TYPE V POLYCARBONATE REFRACTOR & GUARD	GLOBE, GUARD AND DOME REFLECTOR ④
40 ⑤	1-1/2"	120-277VAC	VM4LC0403S5GLG	VM4LC0403S5PFN	VM4LC0403S5R5G	VM4LC0403S5S5G	VM4LC0403S5P5G	VM4LC040S5GLG-S
50 ⑤	1-1/2"	120-277VAC	VM4LC0503S5GLG	VM4LC0503S5PFN	VM4LC0503S5R5G	VM4LC0503S5S5G	VM4LC0503S5P5G	VM4LC050S5GLG-S
55 ⑤	1-1/2"	120-277VAC	VM4LC0553S5GLG	VM4LC0553S5PFN	VM4LC0553S5R5G	VM4LC0553S5S5G	VM4LC0553S5P5G	VM4LC055S5GLG-S
65 ⑤	1-1/2"	120-277VAC	VM4LC0653S5GLG	VM4LC0653S5PFN	VM4LC0653S5R5G	VM4LC0653S5S5G	VM4LC0653S5P5G	VM4LC065S5GLG-S
70	1-1/2"	120-277VAC	VM4LC0703S5GLG	VM4LC0703S5PFN	VM4LC0703S5R5G	VM4LC0703S5S5G	VM4LC0703S5P5G	VM4LC070S5GLG-S
80	1-1/2"	120-277VAC	VM4LC0803S5GLG	VM4LC0803S5PFN	VM4LC0803S5R5G	VM4LC0803S5S5G	VM4LC0803S5P5G	VM4LC080S5GLG-S
90	1-1/2"	120-277VAC	VM4LC0903S5GLG	VM4LC0903S5PFN	VM4LC0903S5R5G	VM4LC0903S5S5G	VM4LC0903S5P5G	VM4LC090S5GLG-S
100	1-1/2"	120-277VAC	VM4LC1003S5GLG	VM4LC1003S5PFN	VM4LC1003S5R5G	VM4LC1003S5S5G	VM4LC1003S5P5G	VM4LC100S5GLG-S
105	1-1/2"	120-277VAC	VM4LC1053S5GLG	VM4LC1053S5PFN	VM4LC1053S5R5G	VM4LC1053S5S5G	VM4LC1053S5P5G	VM4LC105S5GLG-S
130	1-1/2"	120-277VAC	VM4LC1303S5GLG	VM4LC1303S5PFN	VM4LC1303S5R5G	VM4LC1303S5S5G	VM4LC1303S5P5G	VM4LC130S5GLG-S

① Catalog numbers shown are with Guard (except ER/EP/PF); to omit guard change ending G to N; e.g. VM4LB05530S5GLN.

② Catalog numbers shown are with 1-1/2" conduit openings; change "5" to "4" for 1-1/4"; e.g. VM4LB05530S4GLG.

③ 120VAC through 277VAC 50/60Hz. See logic for other voltages.

④ See logic for reflector ordering options or order dome reflector VMPSD40 separately.

⑤ 40, 50, 55 and 65W are available in VM2LB/VM2LC shallower housings. Substitute VM2L for VM4L in catalog number.

\* For Glass 12" Spin-Top Flat Lens change PRN to GFN at end of catalog number.



**KILLARK**

# KILLARK LED

VM2LB, VM2LC SERIES  
VM4LB, VM4LC SERIES

# High Wattage EZ Adapter Mount

Ordering  
Information



Globe & Guard or  
Glass Refractor & Guard



Spin-Top Poly or  
Glass Flat Lens



Spin-Top Poly or  
Glass Refractor



Enclosed Reflector



Poly Food Optic

VM4LB SERIES EZ ADAPTER WITH OPTIC AND GUARD ① ②								
WATTS	HUB SIZE ②	VOLTAGE ③	GLOBE & GUARD	TYPE V GLASS REFRACTOR & GUARD	12" SPIN-TOP TYPE V GLASS REFRACTOR & GUARD	12" SPIN-TOP TYPE V POLYCARBONATE REFRACTOR & GUARD	ENCLOSED REFLECTOR	POLYCARBONATE FOOD OPTIC
40 ④	②	120-277VAC	VM4LB04030EZGLG	VM4LB04030EZR5G	VM4LB04030EZR5G	VM4LB04030EZP5G	VM4LB04030EZERN	VM4LB04030EZEPN
50 ④	②	120-277VAC	VM4LB05030EZGLG	VM4LB05030EZR5G	VM4LB05030EZR5G	VM4LB05030EZP5G	VM4LB05030EZERN	VM4LB05030EZEPN
55 ④	②	120-277VAC	VM4LB05530EZGLG	VM4LB05530EZR5G	VM4LB05530EZR5G	VM4LB05530EZP5G	VM4LB05530EZERN	VM4LB05530EZEPN
65 ④	②	120-277VAC	VM4LB06530EZGLG	VM4LB06530EZR5G	VM4LB06530EZR5G	VM4LB06530EZP5G	VM4LB06530EZERN	VM4LB06530EZEPN
70	②	120-277VAC	VM4LB07030EZGLG	VM4LB07030EZR5G	VM4LB07030EZR5G	VM4LB07030EZP5G	VM4LB07030EZERN	VM4LB07030EZEPN
80	②	120-277VAC	VM4LB08030EZGLG	VM4LB08030EZR5G	VM4LB08030EZR5G	VM4LB08030EZP5G	VM4LB08030EZERN	VM4LB08030EZEPN
90	②	120-277VAC	VM4LB09030EZGLG	VM4LB09030EZR5G	VM4LB09030EZR5G	VM4LB09030EZP5G	VM4LB09030EZERN	VM4LB09030EZEPN
100	②	120-277VAC	VM4LB10030EZGLG	VM4LB10030EZR5G	VM4LB10030EZR5G	VM4LB10030EZP5G	VM4LB10030EZERN	VM4LB10030EZEPN
105	②	120-277VAC	VM4LB10530EZGLG	VM4LB10530EZR5G	VM4LB10530EZR5G	VM4LB10530EZP5G	VM4LB10530EZERN	VM4LB10530EZEPN
130	②	120-277VAC	VM4LB13030EZGLG	VM4LB13030EZR5G	VM4LB13030EZR5G	VM4LB13030EZP5G	VM4LB13030EZERN	VM4LB13030EZEPN

VM4LC SERIES EZ ADAPTER WITH OPTIC AND GUARD ① ②								
WATTS	HUB SIZE ②	VOLTAGE ③	GLOBE & GUARD	12" SPIN-TOP POLYCARBONATE FLAT LENS*	TYPE V GLASS REFRACTOR & GUARD	12" SPIN-TOP TYPE V GLASS REFRACTOR & GUARD	12" SPIN-TOP TYPE V POLYCARBONATE REFRACTOR & GUARD	POLYCARBONATE FOOD OPTIC
40 ④	②	120-277VAC	VM4LC04030EZGLG	VM4LC04030EZPFN	VM4LC04030EZR5G	VM4LC04030EZR5G	VM4LC04030EZP5G	VM4LC04030EZEPN
50 ④	②	120-277VAC	VM4LC05030EZGLG	VM4LC05030EZPFN	VM4LC05030EZR5G	VM4LC05030EZR5G	VM4LC05030EZP5G	VM4LC05030EZEPN
55 ④	②	120-277VAC	VM4LC05530EZGLG	VM4LC05530EZPFN	VM4LC05530EZR5G	VM4LC05530EZR5G	VM4LC05530EZP5G	VM4LC05530EZEPN
65 ④	②	120-277VAC	VM4LC06530EZGLG	VM4LC06530EZPFN	VM4LC06530EZR5G	VM4LC06530EZR5G	VM4LC06530EZP5G	VM4LC06530EZEPN
70	②	120-277VAC	VM4LC07030EZGLG	VM4LC07030EZPFN	VM4LC07030EZR5G	VM4LC07030EZR5G	VM4LC07030EZP5G	VM4LC07030EZEPN
80	②	120-277VAC	VM4LC08030EZGLG	VM4LC08030EZPFN	VM4LC08030EZR5G	VM4LC08030EZR5G	VM4LC08030EZP5G	VM4LC08030EZEPN
90	②	120-277VAC	VM4LC09030EZGLG	VM4LC09030EZPFN	VM4LC09030EZR5G	VM4LC09030EZR5G	VM4LC09030EZP5G	VM4LC09030EZEPN
100	②	120-277VAC	VM4LC10030EZGLG	VM4LC10030EZPFN	VM4LC10030EZR5G	VM4LC10030EZR5G	VM4LC10030EZP5G	VM4LC10030EZEPN
105	②	120-277VAC	VM4LC10530EZGLG	VM4LC10530EZPFN	VM4LC10530EZR5G	VM4LC10530EZR5G	VM4LC10530EZP5G	VM4LC10530EZEPN
130	②	120-277VAC	VM4LC13030EZGLG	VM4LC13030EZPFN	VM4LC13030EZR5G	VM4LC13030EZR5G	VM4LC13030EZP5G	VM4LC13030EZEPN

① Catalog numbers shown are with Guard (except ER/EP/PF); to omit guard change ending G to N; e.g. VM4LB05530EZGLN.

② VMEZA tank adapters UL "classified" as an assembly for use between VM tanks and EZ mounts. Order EZ mounts separately - see page 11 on components page.

③ 120VAC through 277VAC 50/60Hz. See logic for other voltages.

④ 40, 50, 55 and 65W are available in VM2LB/VM2LC shallower housings. Substitute VM2L for VM4L in catalog number.

\* For Glass 12" Spin-Top Flat Lens change PFN to GFN at end of catalog number.



**KILLARK**



Pendant



Ceiling



Wall



Cone Top



25° Stanchion



Straight Stanchion



EZ Adapter\*  
VMEZA



Tank Adapter  
See next page to order

CERTILITE® VM MOUNTING SPLICE BOXES							
		CATALOG NUMBER					
HUB SIZE	PENDANT	CEILING 4 HUB	CEILING 5 HUB	WALL	CONE TOP	25 DEGREE STANCHION	90 DEGREE STANCHION
3/4"	VMA2B	VMX2B	VMX6B	VMB2B	VMC2B	—	—
1"	VMA3B	VMX3B	VMX7B	VMB3B	VMC3B	—	—
1-1/4"	—	—	—	—	—	VMD4B	VMS4B
1-1/2"	—	—	—	—	—	VMD5B	VMS5B
M-20	—	VMX8B**	VMX9B	—	—	—	—

\*VMEZA is used between a ballast tank and an EZ mount - ordered separately. See catalog grids.

\*\*VMX8B furnished with 3 non-metallic Ex-plugs.

VM2L/VM4L LED OPTICS AND ACCESSORIES		
DESCRIPTION	OPTIC LOGIC	GUARD ④
Flat Lens (glass spin top) "C" tank only	VZRGF12 (GF)	VZRF12GRD
Flat Lens (polycarbonate spin top) "C" tank only*	VZRPF12 (PF)	VZRF12GRD
Globe (glass)	VMG25 (GL)	VMAG25S
Reflector (all glass) Type V	VMR255 (R5)	VMAG25S
Enclosed Reflector	VMER40 (ER)	VMERG
Enclosed Reflector with polycarbonate Lens*	VMEP40 (EP)③	—
Reflector (polycarbonate spin top) 12" Type V*	VZRP175B (P5)	VMRWGS
Reflector (glass spin top) 12" Type V	VZRG4050 (S5)	VMRWGS

\*Non-glass over Food/Grain Class II Div 1 Group G Certified; VMEP40, VZRP175B, and VZRPF12

VM2L/VM4L LED REFLECTORS AND ACCESSORIES	
DOME REFLECTOR (Polyester reinforced fiberglass)	VMPSD40
ANGLE REFLECTOR (Polyester reinforced fiberglass)	VMPA40
DEEP DOME REFLECTOR (White Painted Aluminum)	HRD400
DEEP DOME REFLECTOR (Anodized Aluminum)	HRD400ALZ
120VAC Photocell with FS Style Cover①	VMFSPC1
208-277VAC Photocell with FS Style Cover①	VMFSPC2
Bottom Closure for VMAG25S④	VMAGBC
4-sided EXIT Accessory (use without guard)②	VEXA400

① Order single-gang FS box separately. For photocell factory installed in tank, see logic.

② For use with Generator or UPS powered fixtures

③ For wall applications mount must be spaced out for bottom hub

④ Guards are 316 Stainless. Bottom closure for VMAG25S pt. no. VMAGBC



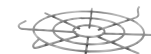
VMG25



VMR255



VMAG25S



VMAGBC



VMER40



VMERG



VMEP40



VZRG4050



VMRWGS



VZRPF/VZRGF



VMPSD40

Standard Dome, Fiberglass  
White Reflector, Dia: 16"



VMPA40

30° Angle, Fiberglass  
White Reflector, Dia:16"



HRD400

Deep Aluminum, White  
Reflector, Dia: 21"



HRD400ALZ

Deep Aluminum, Anodized  
Reflector, Dia: 21"



VMFSPC



VEXA400  
Fixture not included





# KILLARK LED

VM2LB, VM2LC SERIES  
VM4LB, VM4LC SERIES

# High Wattage

Components, T-codes  
Electrical & Thermal  
Ratings **31**



## “EZ” Mount Adapter

For easy fixture relocation or to repair fixture on ‘bench top’.

VMEZA adapter is used between a ballast tank and EZ mount ordered separately. →



Pendant



Ceiling



Wall Bracket



25° Stanchion

MOUNTING BOXES				
CATALOG NUMBER				HUB SIZE
PENDANT	CEILING	BRACKET	STANCHION	
EZA2	EZX2	EZB2	—	3/4"
EZA3	EZX3	EZB3	—	1"
—	—	—	EZD4A*	1-1/4"/1-1/2"*

\*1-1/2" furnished with 1-1/2"-1-1/4" reducer and extension.



## Competitive Adapters

Designed to ease upgrading of other manufacturer's fixtures to KILLARK LEDs where removal of existing mounting screws and conduit would be difficult and time consuming.

Tank adapter to Crouse-Hinds®① VM Series mounts  
Tank adapter to CH (70's era wall mount with deep box)  
Tank adapter to Appleton®② MERCMASTER II mounts  
Tank adapter to Appleton® MERCMASTER III mounts  
Tank adapter to Hazlux®③ mounts

VMCHVM  
VMCHVM-DEEP  
VMM2LP  
VMM3KP  
VMHLDS

①Crouse-Hinds is a registered trademark of EATON® corporation.

②Appleton and MERCMASTER are registered trademarks of Emerson® Industrial Automation.

③Hazlux is a registered trademark of Thomas & Betts.

LED HOUSINGS WITH DRIVERS AND LEDS - ELECTRICAL RATINGS①				
WATTAGE	VOLTAGE 50/60HZ	AMPS 120/277	CIL②	WEIGHT③
40	120-277VAC	0.36/0.16	5490	18.9
50	120-277VAC	0.43/0.18	7650	18.9
55	120-277VAC	0.48/0.21	6960	18.9
65	120-277VAC	0.56/0.24	10200	18.9
70	120-277VAC	0.60/0.30	8700	18.9
80	120-277VAC	0.68/0.30	10440	18.9
90	120-277VAC	0.77/0.33	12760	18.9
100	120-277VAC	0.85/0.37	15310	18.9
105	120-277VAC	0.89/0.39	13920	18.9
130	120-277VAC	1.10/0.48	20415	18.9

① Driver THD<20%, Powerfactor 99% @ 120V; Line Regulation 2%; Load regulation 5%; Protected against Over-voltage and Over-current.

② CIL = Calculated Initial Lumens of LED component based on mfg. data and driver current INSIDE the optic. This value is provided as a reference only for comparison to traditional light sources such as incandescent, HID, or fluorescent which use initial values in "relative" photometry. KILLARK LED luminaires are tested using the Absolute photometry method (LM79-08), which calculates delivered lumens only. KILLARK's LED luminaires provide very bright white 5000K (CCT) color and can appear brighter than traditional light sources with higher lumen values under both photopic and scotopic conditions.

③ Weights are shown with VM4LB with ceiling mount.

VM4LC with ceiling mount approx. 17.4 lbs.

For VM2L models, deduct approx. 1.25 lbs.

④ TM-21 based values require very long duration testing. The TM-21/L70 "official reported" value is based on 7,800 to 10,000 hours testing (at time of printing) at 1000mA to 1500mA drive current, depending on LED chip utilized. "Reported L70" is a factor of test duration. KILLARK's VM4LC/B series utilizes lower 700mA maximum drive current - "calculated" values by the major chip vendors utilized predict L70 life up to 150,000+ hours even at 1000mA.

⑤ For a given wattage current & CIL values are the same, regardless of tank type VM2LB/C or VM4LB/C.

THERMAL PERFORMANCE DATA						
WATTAGE⑤	AMBIENT	C1D2	C2D1	L70		SUPPLY WIRE
				TM-21④	CALCULATED	
40	40°C	T4A	EFG	60100	137000	75°C
	55°C	T4	EFG	60100	137000	90°C
	65°C	T4	EFG	60100	137000	90°C
50	40°C	T4A	EFG	72600	109000	75°C
	55°C	T4A	EFG	72600	109000	90°C
	65°C	T4	EFG	72600	109000	90°C
55	40°C	T4A	EFG	60100	137000	75°C
	55°C	T4	EFG	60100	137000	90°C
	65°C	T4	EFG	60100	137000	90°C
65	40°C	T4A	EFG	72600	109000	75°C
	55°C	T4A	EFG	72600	109000	90°C
	65°C	T4	EFG	72600	109000	90°C
70	40°C	T4A	EFG	60100	137000	75°C
	55°C	T4	EFG	60100	137000	90°C
80	40°C	T4A	EFG	60100	137000	75°C
	55°C	T4	EFG	60100	137000	90°C
90	40°C	T4A	EFG	72600	109000	75°C
	55°C	T4	EFG	72600	109000	90°C
100	40°C	T4A	EFG	60100	137000	75°C
	55°C	T4	EFG	60100	137000	90°C
105	40°C	T4A	EFG	60100	137000	75°C
	55°C	T4	EFG	60100	137000	90°C
130	40°C	T4A	EFG	72600	109000	75°C
	50°C	T4	EFG	72600	109000	90°C

TOTAL LUMEN OUTPUT			
Wattage	Globe (VM4LB)	Globe (VM4LC)	Flat Lens (VM4LC)
40	4600	4180	3873
50④	6715	6087	5556
55	5842	5275	4790
65④	8577	8229	7441
70	7111	6524	5980
80	8525	7559	6923
90④	10520	10210	9115
100④	12220	11910	10666
105	10780	9600	8809
130④	15630	15370	13780

④Extra high lumen per watt LED's



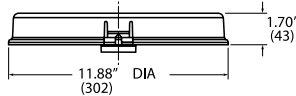
**KILLARK®**

# KILLARK LED

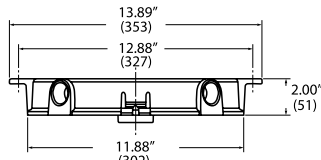
VM2LB, VM2LC SERIES  
VM4LB, VM4LC SERIES

# High Wattage

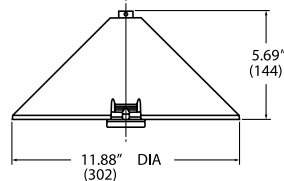
# Dimensions & Weights



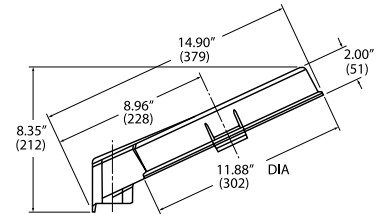
Pendant Mount



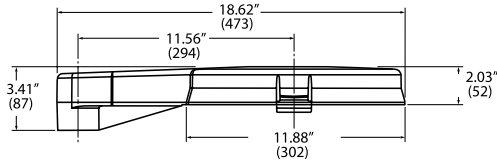
Ceiling Mount



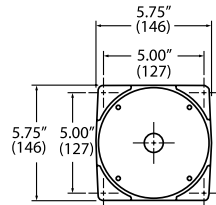
Cone Mount



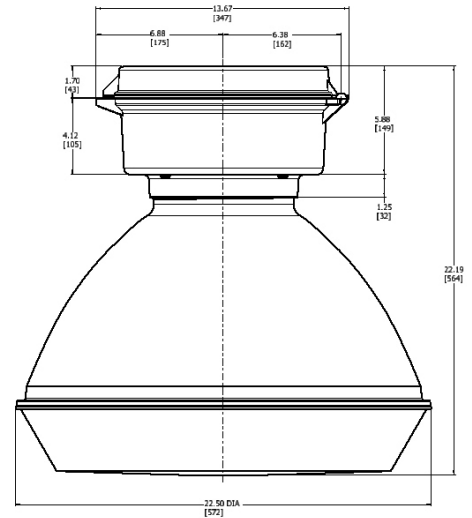
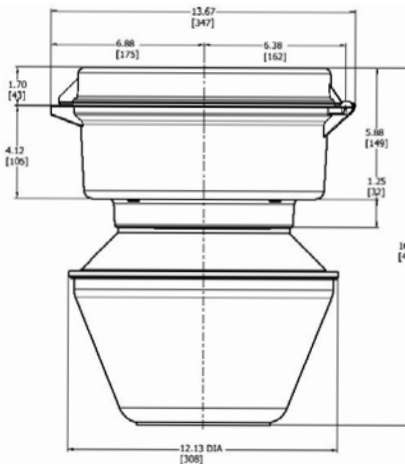
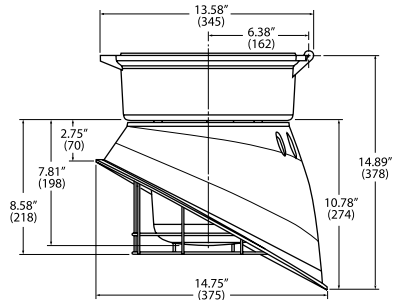
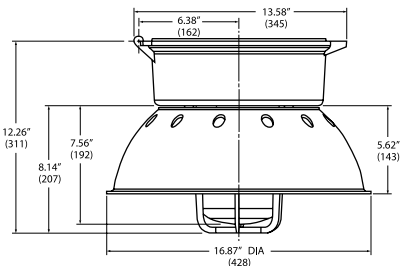
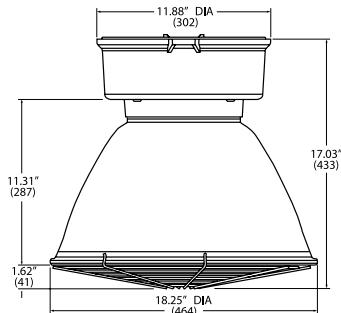
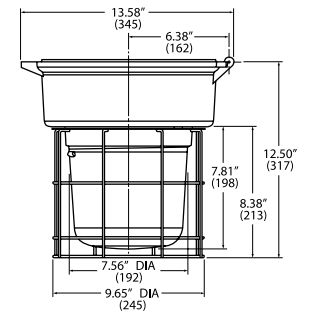
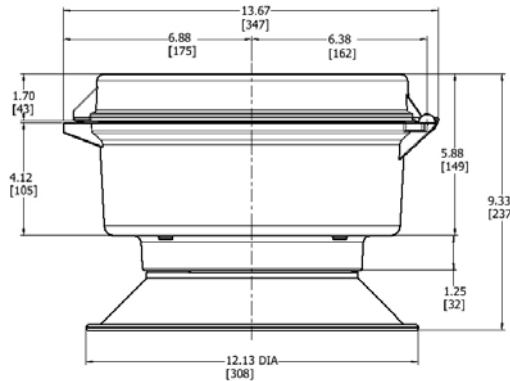
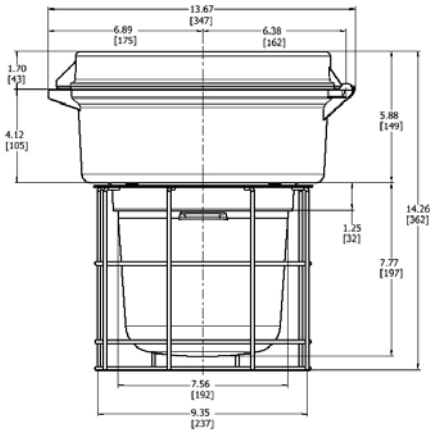
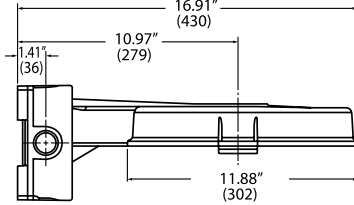
Stanchion(25°) Mount



Stanchion(0°) Mount



Wall Bracket Mount



For Height of VM2L models, deduct 1.56" (40mm) from VM4L tank, or overall dimensions with some mount and optic. All other dimensions are the same.




Typical Weights (lbs.) with Standard Globe and Guard - VM4LB/C Series			
Pendant 33.40	Ceiling 33.00	Wall 37.90	Stanchion 34.30



**Expanded wattage range RANGE  
40, 45, 50W**

**Class I, Div. 1 & 2, Groups C,D  
Class I, Zones 1 & 2, Groups IIB, IIA  
Class II, Div. 1 & 2, Groups E,F,G  
Class III, Div. 1 & 2  
Suitable for wet locations  
Marine  
NEMA 3, 4, 4X  
Factory Sealed**

 Certified - File LR11713

## FEATURES-SPECIFICATIONS

[RETURN to Index](#)

### HOSTILE/LITE® LED

#### Applications

HOSTILE/LITE® EML LED Series fixtures are designed for installations where moisture, dirt, dust, corrosion and vibration may be present, or NEMA 3 and 4x areas where wind, water, snow or high ambients can be expected. They can be used in locations made hazardous due to the presence of flammable or explosive gases, vapors and combustible dusts as defined by the NEC.

Applications include classified areas such as paint manufacturing plants, ammunition facilities, oil and gas producing and refining plants, off-shore and dockside installations, tank farms, pipeline pumping stations and marine loading and fuel transfer terminals.

#### Compliances

- UL-8750 for LED lighting
- UL-844 Electric Lighting Fixtures for use in Hazardous Locations
- UL Marine Type Electric Lighting Fixtures
- CSA C22.2 no. 137-M1981 Electric Luminaires for use in Hazardous Locations
- NEMA 3, 4, 4X, 7CD, 9EFG

#### Materials

- Ballast tank, splice box and guards corrosion resistant copper-free aluminum alloy
- Baked powder epoxy/polyester finish, electrostatically applied for complete, uniform corrosion protection
- All external hardware - Stainless Steel
- Reflectors are aluminum with white finish

#### LED Luminaire Features and Standards

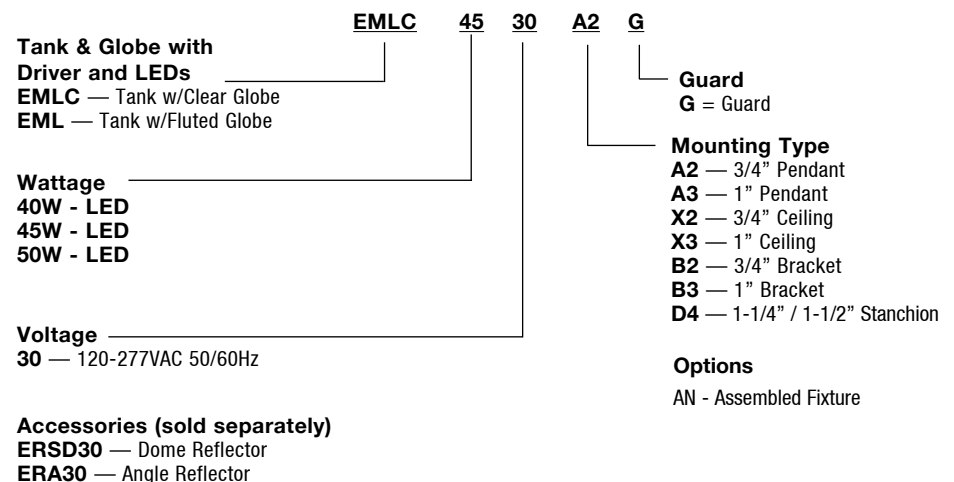
- Compact Explosion-proof with Traditional Industrial Appearance and Suitability
- Fluted or Exclusive Clear Globe; Dome or Angle Reflectors

- Optional Mounting arrangements including Pendant, Wall, Ceiling, and Stanchion
- EML LED Housings can be retrofitted to existing EZ splice boxes; upgrade from Incandescent, Fluorescent or HID
- Energy Savings - less than 55 Watts of Power
- Long Life - 50,000 - 55,000 Maintenance Free Hours to 70% Initial Lumens
- Crisp White Light for Excellent Color Rendering - Chromaticity Avg. 4950K (CCT); 69 CRI
- Ambient suitability -40°C to 55°C
- Instant on - including after power interruption
- "World Voltage" 120-277VAC 50/60Hz
- Solder-LESS LED Board Connections - Vibration Resistant
- Dual Drivers - Redundant Systems (built-in backup)

- LM80-08\* Measurement of lumen maintenance for LED light sources
- LM79-08\* Certified "Absolute" Photometry, including Chromaticity Color for Solid State Lighting
- L70 Values - Industry Nomenclature for Hours of use to 70% of Initial Lumens
- Factory Sealed Construction - no external seal required, simply wire mounting cap and thread-in fixture to install

\*LM-xx are Illumination Engineering Society Standards designed to promote uniformity in testing procedures among test labs and manufacturers. For more information go to [www.ies.org](http://www.ies.org)

#### Catalog Number Logic





Pendant



Ceiling




Wall



Stanchion

Class I, Div. 1 & 2, Groups C,D  
Class I, Zones 1 & 2, Groups IIB, IIA  
Class II, Div. 1 & 2, Groups E,F,G  
Class III, Div. 1 & 2  
Suitable for wet locations  
Marine  
NEMA 3, 4, 4X  
Factory Sealed

 Certified - File LR11713

## ORDERING INFORMATION

### EML SERIES PENDANT WITH OPTIC AND GUARD ①

WATTS	HUB SIZE ②	VOLTAGE ③	FLUTED GLOBE & GUARD	CLEAR GLOBE & GUARD*
40	3/4"	120-277VAC	EML4030A2G	EMLC4030A2G
45	3/4"	120-277VAC	EML4530A2G	EMLC4530A2G
50	3/4"	120-277VAC	EML5030A2G	EMLC5030A2G

### EML SERIES CEILING WITH OPTIC AND GUARD ①

WATTS	HUB SIZE ②	VOLTAGE ③	FLUTED GLOBE & GUARD	CLEAR GLOBE & GUARD*
40	3/4"	120-277VAC	EML4030X2G	EMLC4030X2G
45	3/4"	120-277VAC	EML4530X2G	EMLC4530X2G
50	3/4"	120-277VAC	EML5030X2G	EMLC5030X2G

### EML SERIES WALL WITH OPTIC AND GUARD ①

WATTS	HUB SIZE ②	VOLTAGE ③	FLUTED GLOBE & GUARD	CLEAR GLOBE & GUARD*
40	3/4"	120-277VAC	EML4030B2G	EMLC4030B2G
45	3/4"	120-277VAC	EML4530B2G	EMLC4530B2G
50	3/4"	120-277VAC	EML5030B2G	EMLC5030B2G

### EML SERIES 25° STANCHION WITH OPTIC AND GUARD ①

WATTS	HUB SIZE ③	VOLTAGE ③	FLUTED GLOBE & GUARD	CLEAR GLOBE & GUARD*
40	1-1/4"/1-1/2"	120-277VAC	EML4030D4G	EMLC4030D4G
45	1-1/4"/1-1/2"	120-277VAC	EML4530D4G	EMLC4530D4G
50	1-1/4"/1-1/2"	120-277VAC	EML5030D4G	EMLC5030D4G

① Catalog numbers shown are with Guard; Omit G if guard not required e.g. EML4530A2.

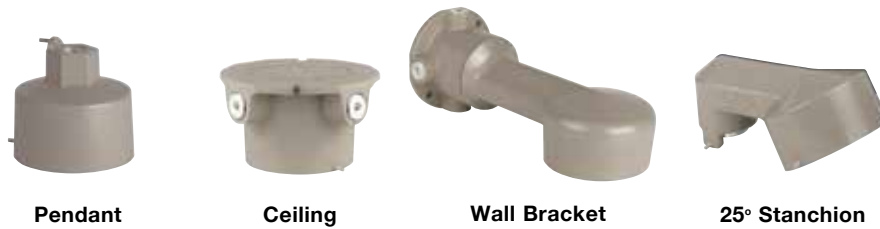
② Catalog numbers shown are with 3/4" conduit openings; change "2" to "3" for 1" e.g. EML4530A3G.

③ Stanchion conduit hub size supplied is 1-1/2" with 1-1/2" to 1-1/4" reducer for 1-1/4" mounting (refer to catalog logic).

④ 120VAC through 277VAC 50/60Hz.

\* Exclusive from KILLARK; clear globe for maximum brightness.





EZ MOUNTING BRACKETS				
CATALOG NUMBER				HUB SIZE
PENDANT	CEILING	WALL	STANCHION	
EZA2	EZX2	EZB2	—	3/4"
EZA3	EZX3	EZB3	—	1"
—	—	—	EZD4*	1-1/4" / 1-1/2"*

\* 1-1/2" furnished with 1-1/2" - 1-1/4" reducer

EML - EMLC LED ACCESSORIES	
DESCRIPTION	CATALOG NUMBER
Guard <sup>①</sup>	EMG2
Dome Reflector <sup>②</sup>	ERSD30
Angle Reflector <sup>②</sup>	ERA30
CIDI C2D1 N4X Photocell 120VAC	VMHKPC1
CIDI C2D1 N4X Photocell 208-277VAC	VMHKPC2
Replacement Fluted Globe & Support	EMGS3
Replacement Clear Globe & Support	EMGS2
Adapter to old Killark "H" Series or Crouse Hinds <sup>®</sup>	EAC/EACH <sup>③</sup>

- ① Guards are cast of copper-free aluminum with electrostatically applied epoxy/polyester.
- ② Reflectors are aluminum with white finish.
- ③ Adapters for discontinued Killark "H" Series and Crouse Hinds<sup>®</sup> available. See page L200 for more information.

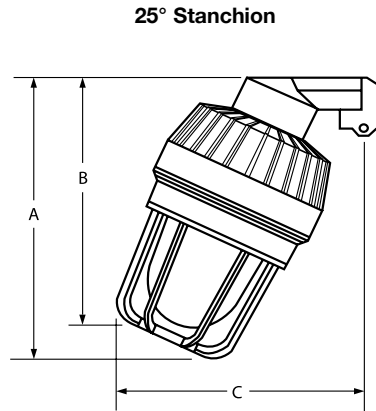
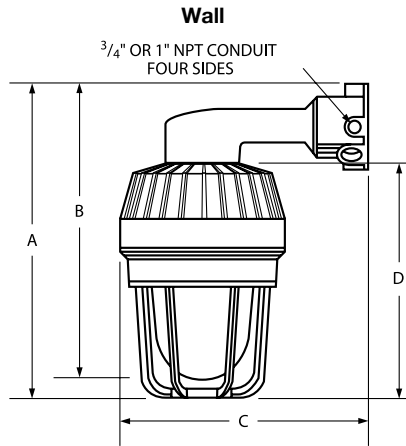
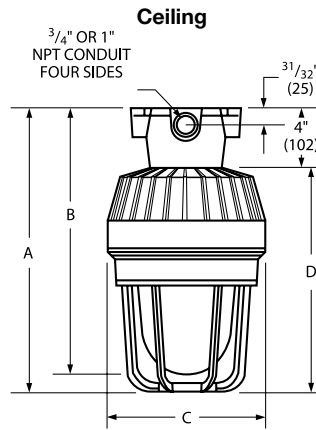
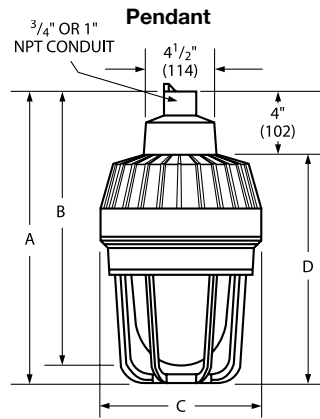
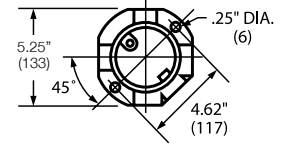
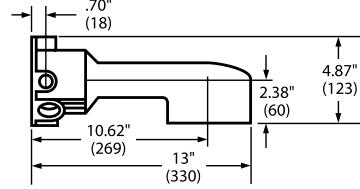
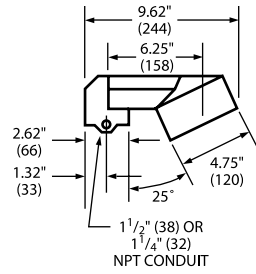
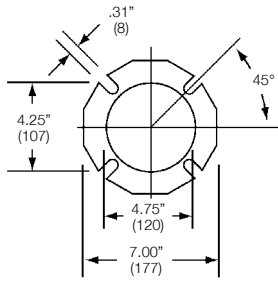
EML(C) LED HOUSINGS & GLOBE, DRIVERS AND LEDS - ELECTRICAL RATINGS					
CAT. NO.	VOLTAGE 50/60HZ	WATTAGE	AMPS 120/277	CIL <sup>④</sup>	WEIGHT
EML(C)4030	120-277VAC	40	.36/.16	5490	26 LBS
EML(C)4530	120-277VAC	49.4	.412/.178	3960	26 LBS
EML(C)5030	120-277VAC	50	.43/.18	7656	26 LBS

④ CIL = Calculated Initial Lumens of LED component based on mfg. data and driver current INSIDE the optic. This value is provided as a reference only for comparison to traditional light sources such as incandescent, HID, or fluorescent which use initial values in "relative" photometry. KILLARK LED luminaires are tested using the Absolute photometry method (LM79-08), which calculates delivered lumens only. KILLARK's LED luminaires provide very bright white 5000K (CCT) color and can appear brighter than traditional light sources with higher lumen values under both photopic and scotopic conditions..

THERMAL PERFORMANCE DATA					
CAT. NO.	AMBIENT	C1D1/C1Z1	C2D1	L70	SUPPLY WIRE
EML(C)4030	40°C	T6	T4A (EFG)	60000	75°C
EML(C)4030	55°C	T6	T4 (EFG)	60000	90°C
EML(C)4530	40°C	T6	T4A (EFG)	55000	75°C
EML(C)4530	55°C	T6	T4 (EFG)	50000	90°C
EML(C)5030	40°C	T6	T4A (EFG)	72600	75°C
EML(C)5030	55°C	T6	T4 (EFG)	72600	90°C







EML(C) DIMENSIONS				
TYPE	A	B	C	D
Pendant	15-15/16" (404)	15-1/16" (382)	8-13/16" (224)	11-15/16" (303)
Ceiling	15-15/16" (404)	15-1/16" (382)	8-13/16" (224)	11-15/16" (303)
Wall	16-13/16" (426)	15-15/16" (404)	15" (379)	11-15/16" (303)
Stanchion	15-1/8" (384)	14" (356)	13-1/2" (343)	



Use option "LY" for WALL MOUNT



Class I, Div. 2, Groups A,B,C,D  
Class I, Zone 2, Groups IIC, IIB, IIA  
Class III, Div. 1 & 2, Groups E,F,G  
Class III  
NEMA 4X

CSUS File LR11713

## FEATURES-SPECIFICATIONS

RETURN to Index

### PETROBRIGHT® LED

#### Applications

LED Compact Floods are designed for installations where moisture, dirt, dust, corrosion and vibration may be present, or NEMA 3 and 4X areas where wind, water, snow or high ambients can be expected. They can be used in locations made hazardous by the presence of flammable vapors or gases or combustible dusts as defined by the NEC.

Typical applications include spot lighting or walkways in manufacturing plants, and certain chemical and petrochemical processing facilities, sewage treatment plants, off-shore and dockside installations, garages and storage facilities

#### Compliances

- UL-8750 for LED lighting
- ANSI/UL 1598 (A)
- UL-844 Standard for lighting fixtures for hazardous locations, Class I, Division 2, Class II, Division 1; Class III
- CSA C22.2 no. 137-M1981 electric luminaires for use in hazardous locations
- Enclosed and gasketed
- NEMA 3, 4X, IP66

#### Materials

- Body and lens frame corrosion resistant copper-free aluminum alloy with baked powder epoxy/polyester finish, electrostatically applied for complete, uniform corrosion protection
- All external hardware - stainless steel
- Thermal shock and impact resistant extra heavy-duty glass lens
- High temperature silicone gasketing
- Trunnion heavy gauge galvanized steel with painted finish

#### LED Flood Features and Standards

- One 3/4" NPT hub & R-21 3/4" x 1/2" reducer is standard
- Crisp White Light for Excellent Color Rendering - Chromaticity 5000K (CCT); approx. 70 CRI
- Energy Savings - High lumens per watt
- Long Life - 80,000 maintenance free hours to 70% initial lumens
- Ambient suitability -40°C to 55°C
- Instant On - Including after power interruption
- Solder-LESS LED Board Connections - Vibration Resistant
- LM80-08\* Measurement of lumen maintenance for LED light sources
- LM79-08\* Certified "Absolute" Photometry, including Chromaticity Color for Solid State Lighting
- L70 Values - Industry Nomenclature for Hours of use to 70% of initial Lumens - TM-21\* & calculated

Supplemental surge protection included as standard for AC models only



KFLC with KFS-6 Slipfitter mount on 2" pipe

Dark Sky Visor KFLC-DARK

\* LM-xx & TM-xx are Illumination Engineering Society Standards designed to promote uniformity in testing procedures among test labs and manufacturers. For more information go to [www.ies.org](http://www.ies.org)

#### Catalog Number Logic

KFLC - Series Constant **KFLC** **45** **30** **R** **XX**

#### LED Wattage

- 15 - 15W 30, 27, or 34 Voltage Codes
- 18 - 18W 30, 27, or 34 Voltage Codes
- 20 - 20W 30, 27, or 34 Voltage Codes
- 23 - 23W 30, 27, or 34 Voltage Codes
- 30 - 30W "30" voltage code 120 - 277VAC
- 35 - 35W "30" voltage code 120 - 277VAC
- 40 - 40W "30" voltage code 120 - 277VAC
- 45 - 45W "30" voltage code 120 - 277VAC

#### Voltage

- 30 - 120 - 277VAC 50/60Hz
- 27 - 12 - 24VDC input
- 34 - 120-250VDC ; 120 - 277 VAC

#### Reflector

- R - Reflector
- N - No Reflector

#### Options

- LY- Less Yoke for Surface Mount
- F- Single Fuse
- FF- 2 Fuses
- SP- Surge Protection
- TBL- Terminal Blocks Looping
- QD- QuickDisconnect
- D75- Dual 3/4" threaded NPT entry
- M25- Single M25 Slip-hole Entry
- D25- Two M25 Slip-hole Entry
- M20- Single M20 Slip-hole Entry
- D20- Dual M20 Slip-hole Entry
- PL- Polycarbonate Lens

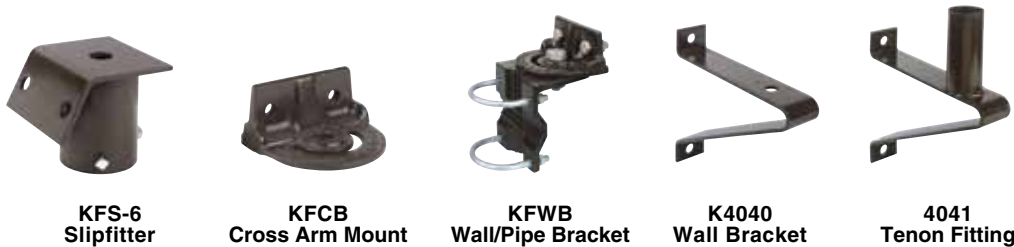


Ordering Information and Ambient Suitability					CID2		CID2 Simultaneous		C2D1	
Catalog No.	Watts	Voltage	Amps	Lumens*	40°C	55°C	40°C	55°C	40°C	55°C
KFLC1527	15	12VDC through 24VDC	.13/.06	1331	T6	T6	T4	T3B	T4A	T4A
KFLC1827	18		.15/.07	1651	T6	T6	T4	T3B	T4A	T4A
KFLC2027	20		.17/.08	2021	T6	T6	T4	T3B	T4A	T4A
KFLC2327	23		.19/.09	2359	T6	T6	T4	T3B	T4A	T4A
KFLC1534	15	120VDC through 250VDC	1.3/.63	1331	T6	T6	T4	T3B	T4A	T4A
KFLC1834	18		1.5/.75	1651	T6	T6	T4	T3B	T4A	T4A
KFLC2034	20		1.7/.83	2021	T6	T6	T4	T3B	T4A	T4A
KFLC2334	23		1.9/.96	2359	T6	T6	T4	T3B	T4A	T4A
KFLC3030	30	120VAC through 277VAC	.26/.11	2662	T6	T6	T4	T3B	T4A	T4A
KFLC3530	35		.30/.13	3302	T6	T6	T4	T3B	T4A	T4A
KFLC4030	40		.34/.15	4039	T6	T6	T4	T3B	T4A	T4A
KFLC4530	45		.38/.17	4718	T6	T6	T4	T3B	T4A	T4A
<b>Supply Wire Temperature</b>					75°C	90°C	75°C	90°C	75°C	90°C

\*KFLC 30-45W Lumens are LM-79 absolute photometry. 15-23W are calculated based on driver output current. Highlighted are extra high Lumens per watt LED models.

Efficacy	L70 Calculated	L70 TM-21**
High L/W models	150,000+	60,100
Extra High L/W models	150,000+	72,600

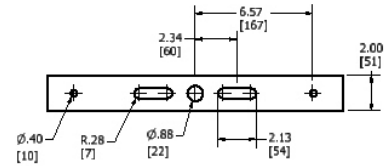
\*\*TM-21 based values require very long duration testing. IES TM-21 "official reported" is based on the # of hours of LED chip manufacturer's LM-80 Testing (minimum 36,000, but continuing) at launch.



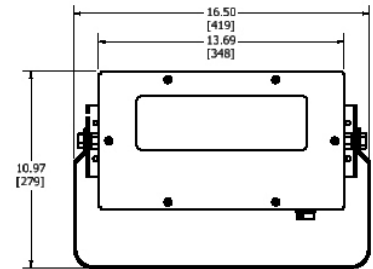
KFL Mounts and Accessories①	
CATALOG NUMBER	DESCRIPTION
KFLC-DARK②	Reflector for field addition - No uplight at 45° to 70°
KFLCG	Guard
KFLC-DOOR	Replacement Door Assembly
NWP-HUBA	3/4" Aluminum Hub; Replacement or Additional (Max. 4)
VMSC10③	Safety Cable (through yoke)
KFS-6	Steel Slipfitter for 2" Pipe (2-3/8" o.d.) Tenon. Slips 3.75" Over Pipe.
KFCB	Heavy Duty Cast-Iron Crossarm Fitting for Horizontal Trunnion
KFWB	Heavy Duty Wall Mount and/or Pipe Clamp Fitting Clamps 2" Pipe (2-3/8" o.d.) Through 2-1/2" Pipe (2-7/8" o.d.)
K4040	Heavy Duty Steel Wall Bracket. (Must be with KFCB Crossarm Fitting).
4041	Heavy Duty Steel Wall Bracket 2" Pipe (2-3/8" o.d.) Tenon Fitting.

- ① Fittings available to adapt trunnion mount floodlights to crossarms, poles and walls. Must be ordered separately.
- ② Designed to eliminate uplight when aimed at 70° or below.
- ③ Drop limit 1'. Attaches to luminaire cable provision and to mounting structure.

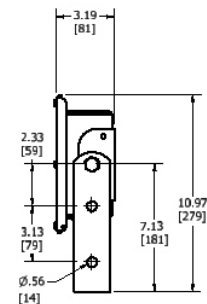
### Dimensions



Trunnion Mounting Detail



Front



Side



**Class I, Div. 2, Groups A,B,C,D**  
**Class II, Div. 1&2, Groups EFG**  
**Class III**  
**Suitable for wet locations**  
**Marine**  
**NEMA 3, 4X, IP66**

**CS** File LR11713

**IEC Ex Ratings**  
**Zone 2 and Zone 22 areas to IEC 60079-10-1 & IEC 60079-10-2**  
**Ex nA II T\* Gc** [ \*see temp. grid]  
**Ex tc IIIC T\* °C Dc IP66** [ \*see temp. grid]  
**Tamb -50°C to +55°C**  
**Certificate # CSA 14.0002X**

## FEATURES-SPECIFICATIONS

RETURN to Index

## PETROBRIGHT® LED

### Applications

LED Floods are designed for installations where moisture, dirt, dust, corrosion and vibration may be present, or NEMA 3 and 4X areas where wind, water, snow or high ambients can be expected. They can be used in locations made hazardous by the presence of flammable vapors or gases or combustible dusts as defined by the NEC.

Typical applications include manufacturing plants, and certain chemical and petrochemical processing facilities, sewage treatment plants, off-shore and dockside installations, garages and storage facilities

### Compliances

- UL-8750 for LED lighting
- ANSI/UL 1598(A)
- UL-844 Standard for lighting fixtures for hazardous locations, Class I, Division 2; Class II, Divisions 1 and 2; Class III
- CSA C22.2 no. 137-M1981 electric luminaires for use in hazardous locations
- Enclosed and gasketed
- NEMA 3, 4X, IP66
- IEX suffix Zone 2 to EN Standards

### Materials

- Body, end caps and lens frame corrosion resistant copper-free aluminum alloy with baked powder epoxy/polyester finish, electrostatically applied for complete, uniform corrosion protection
- All external hardware - stainless steel
- Thermal shock and impact resistant glass lens
- High temperature silicone gasketing
- Trunion heavy gauge galvanized steel with painted finish

### LED Flood Features and Standards

- Crisp White Light for Excellent Color Rendering - Chromaticity 5000K (CCT); approx. 70 CRI
- Energy Savings - High lumens per watt
- Long Life - to 150,000 maintenance free hours to 70% initial lumens
- Ambient suitability -50°C to 55°C
- Instant On - Including after power interruption
- World Voltage 120 - 277VAC 50/60Hz
- Solder-LESS LED Board Connections - Vibration Resistant
- LM80-08\* Measurement of lumen maintenance for LED light sources
- LM79-08\* Certified "Absolute" Photometry, including Chromaticity Color for Solid State Lighting
- L70 Values - Industry Nomenclature for Hours of use to 70% of initial Lumens - TM-21\* & Calculated

Supplemental surge protection included as standard for AC models only

### PATENTED LUMINAIRE DESIGN



**KFL with KFS-6 Slipfitter mount on 2" pipe**



**Dark Sky Visor KFL-DARK**

\* LM-xx and TM-xx are Illumination Engineering Society Standards designed to promote uniformity in testing procedures among test labs and manufacturers.

For more information go to [www.ies.org](http://www.ies.org)

Units include Qty. 3 6mm terminals plus external ground as standard

### Catalog Number Logic

<b>KFL</b> - Series Constant	<b>KFL</b>	<b>125</b>	<b>30</b>	<b>XX</b>
<b>Fixture Wattage</b>				
<b>060</b> - 60W				
<b>070</b> - 70W				
<b>075</b> - 75W				
<b>085</b> - 85W				
<b>090</b> - 90W				
<b>105</b> - 105W				
<b>110</b> - 110W				
<b>125</b> - 125W				
<b>Voltage</b>				
<b>30</b> - 120 - 277VAC 50/60Hz				
<b>33</b> - 347 - 480VAC 60Hz (85W to 125W models)				
<b>34</b> - 120 - 250V DC (60W only)				
<b>Options</b>				
<b>PL</b> - Polycarbonate Lens				
<b>F</b> - Single Fuse⓪				
<b>FF</b> - Double Fuse⓪				
<b>TBL</b> - Terminal Blocks <b>Looping</b> (Std. w/IEEx)				
<b>P1</b> - 120V Photocell, factory installed				
<b>P2</b> - 208V-277V Photocell, factory installed				
<b>P3</b> - 347V Photocell, factory installed				
<b>QD</b> - Quick Disconnect				
<b>D20</b> - 2x M20 entries				
<b>D25</b> - 2x M25 entries				
<b>D75</b> - 2 x 3/4" NPT				
<b>SY</b> - 316 SS Yoke				

Construction Note: Models with dual metric entries are tapped with one plugged.

Standard 3/4" NPT entry will be plugged.

⓪Fusing not for Canadian or Marine Installations

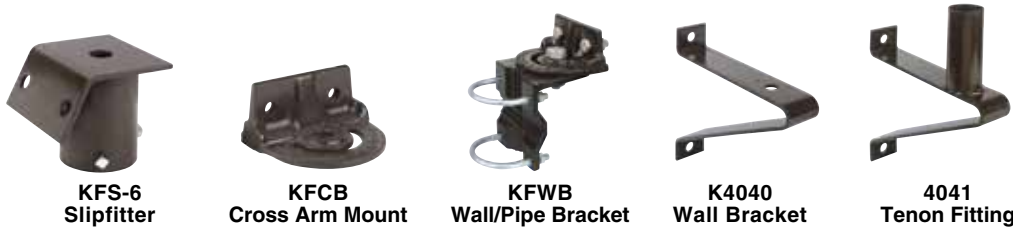


Ordering Information and Ambient Suitability				C1D2 ⑤		C1D2 ⑤ Simultaneous		C2D1 ⑤		Zone 2		Zone 21	
Catalog No. ①②	Watts	Amps 120/277③	Delivered Lumens	40C	55C	40C	55C	40C	55C	40C	55C	40C	55C
KFL06030	60	0.5/0.2	5800	T6	T5	T3C	T3C	EFG	EFG	T6	T6	155°C	170°C
KFL07030	70	0.6/0.3	9742④	T6	T5	T3C	T3C	EFG	EFG	T6	T6	155°C	170°C
KFL07530	75	0.6/0.3	7200	T6	T5	T3C	T3C	EFG	EFG	T6	T6	155°C	170°C
KFL08530	85	0.7/0.3	10890④	T6	T5	T3C	T3C	EFG	EFG	T6	T6	155°C	170°C
KFL09030	90	0.8/0.4	8400	T6	T5	T3C	T3C	EFG	EFG	T6	T6	155°C	170°C
KFL10530	105	0.9/0.4	9800	T4A	T4A	T3C	T3C	EFG	EFG	T4	T4	155°C	170°C
KFL11030	110	0.9/0.4	13780④	T6	T5	T3C	T3C	EFG	EFG	T6	T6	155°C	170°C
KFL12530	125	1.0/0.5	15340④	T6	T5	T3C	T3C	EFG	EFG	T6	T6	155°C	170°C

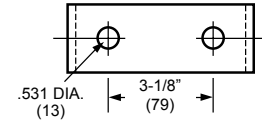
- ① Shipping weight Approx. 30lbs
- ② Cat. nos. are 120-277VAC models, models see logic for 347-480V.
- ③ Amperage measured at 120VAC; 277VAC calculated
- ④ Extra high Lumens per Watt LED models
- ⑤ Use 75° Supply Wire @40°C Ambient; 90 @55°C Ambient

Efficacy	L70 Calculated	L70 TM-21**
Extra High L/W Models	150,000 Hours to 70% Initial	72,600 Hours Official Reported
High L/W Models	150,000 Hours to 70% Initial	60,100 Hours Official Reported

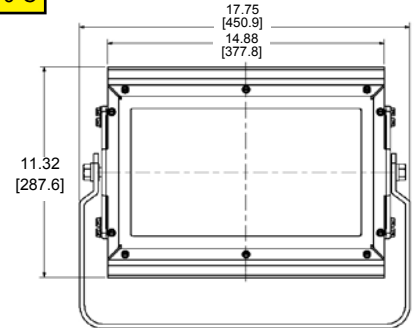
\*\*TM-21 based values require very long duration testing. IES TM-21 "official reported" is based on the # of hours of LED chip manufacturer's LM-80 Testing at printing.



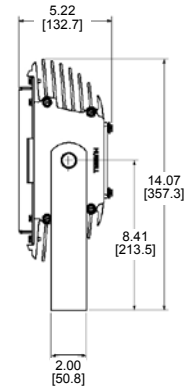
### Dimensions



Trunnion Mounting Detail



Front



Side

KFL Mounts and Accessories①	
CATALOG NUMBER	DESCRIPTION
KFS-6	Steel Slipfitter for 2" Pipe (2-3/8" o.d.) Tenon. Slips 3.75" Over Pipe.
KFCB	Heavy Duty Cast-Iron Crossarm Fitting for Horizontal Trunnion
KFWB	Heavy Duty Wall Mount and/or Pipe Clamp Fitting Clamps 2" Pipe (2-3/8" o.d.) Through 2-1/2" Pipe (2-7/8" o.d.)
K4040	Heavy Duty Steel Wall Bracket. (Must be with KFCB Crossarm Fitting).
4041	Heavy Duty Steel Wall Bracket 2" Pipe (2-3/8" o.d.) Tenon Fitting.
KFLG⑥	Wire Guard, 316 Stainless Steel- (not used with KFL-DARK)
VMSC10	10' Stainless Steel Safety Cable with loop grip②
KFL-DARK⑥	Dark Sky Visor, White Painted Aluminum③- (not used with KFLG)
KFL-DOOR	Replacement Door and Lens Assembly. For units w/o internal reflectors
KFL-DOOR2⑤	Replacement Door, Internal Reflector and Lens Assembly⑤

- ① Fittings available to adapt trunnion mount floodlights to crossarms, poles and walls. Must be ordered separately.
- ② Drop limit 1'. Attaches to luminaire cable provision and to mounting structure.
- ③ Designed to eliminate uplight when aimed at 45°.
- ④ Only for models factory supplied with internal reflector.
- ⑤ Not backward compatible with units originally shipped without internal reflector.
- ⑥ KFLG and KFL-DARK cannot be used together.







Class I, Div. 1&2, Groups B,C,D  
Class I, Zone 1&2, Groups IIB+H2, IIA  
Class II, Div. 1&2, Groups EFG, Class III  
Enclosure Type 4X, IP66 (-50°C to +55°C)

File LR11713

IEC Ex Rated model (w/IEX suffix)

Zone 1, Zone 21 areas to EN60079-10-1 & EN60079-10-2

Ex II 2 GD Ex d e IIB+H2 T\* Gb [\*see temp.grid]

Ex tb IIIC T\*\*\*C Db IP66 [\*see temp.grid]

Tamb -20°C to +55°C (Option LT, for -50°C to +55°C)

Certificate # PENDING

RETURN  
to Index

## FEATURES-SPECIFICATIONS

### PETROBRIGHT® LED

#### Applications

LED KF1L Series Explosion-proof Floods are designed for installations where moisture, dirt, dust, corrosion and vibration may be present, or NEMA 3 and 4X areas where wind, water, snow or high ambients can be expected. They can be used in locations made hazardous by the presence of flammable vapors or gases or combustible dusts as defined by the NEC.

Typical applications include manufacturing plants, and certain chemical and petrochemical processing facilities, sewage treatment plants, off-shore and dockside installations, garages and storage facilities

#### Compliances

- UL-8750 for LED lighting
- ANSI/UL 1598A
- UL-844 Standard for lighting fixtures for hazardous locations, Class I, Division 1; Class II, Division 1; Class III
- CSA C22.2 no. 137-M1981 electric luminaires for use in hazardous locations
- Enclosed and gasketed
- NEMA 3, 4X, IP66

#### Materials

- Body, end caps and lens frame corrosion resistant copper-free aluminum alloy with baked powder epoxy/polyester finish, electrostatically applied for complete, uniform corrosion protection
- All external hardware - stainless steel
- Thermal shock and impact resistant extra heavy-duty glass lens
- High temperature silicone gasketing
- Trunnion heavy gauge 316 SS

#### LED Flood Features and Standards

- Factory Sealed Construction
- Two 3/4 NPT entries (see logic for other choices)
- **Supplemental surge protection (AC models) and looping terminals are standard**
- Crisp White Light for Excellent Color Rendering - Chromaticity 5000K (CCT); approx. 70 CRI
- Energy Savings - High lumens per watt
- Long Life - 80,000 maintenance free hours to 70% initial lumens
- Instant On - Including after power interruption
- World Voltage 120 - 277VAC 50/60Hz
- Solder-LESS LED Board Connections - Vibration Resistant
- LM80-08\* Measurement of lumen maintenance for LED light sources
- LM79-08\* Certified "Absolute" Photometry, including Chromaticity Color for Solid State Lighting
- L70 Values - Industry Nomenclature for Hours of use to 70% of initial Lumens - TM-21\* & calculated

Patent Pending  
Fixture Design



KF1L with KFS-6  
Slipfitter mount  
on 2" pipe



Dark Sky Visor  
KF1L-DARK

\* LM-xx & TM-xx are Illumination Engineering Society Standards designed to promote uniformity in testing procedures among test labs and manufacturers. For more information go to [www.ies.org](http://www.ies.org)

#### Catalog Number Logic

	<b>KF1L</b>	<b>125</b>	<b>30</b>	<b>XX</b>
<b>KF1L - Series Constant</b>	_____	_____	_____	_____
<b>Fixture Wattage</b>	_____	_____	_____	_____
<b>090 - 90W</b>				
<b>105 - 105W</b>				
<b>110 - 110W</b>				
<b>125 - 125W</b>				
<b>Voltage</b>	_____	_____	_____	_____
<b>30 - 120 - 277VAC 50/60Hz</b>				
<b>33 - 347 - 480VAC 60Hz</b>				
<b>34 - 120-250VDC (60W special only)</b>				
<b>Options</b>	_____	_____	_____	_____

**IEX4B**- Four bolt termination cover (see Note 1)

**LT**- For -50°C to +55°C, IEC Zone 1 (see Note 1)

**F**- Single Fuse (2) **FF**- Double Fuse (2)

**D20**- Dual M-20 Entries **D25**- Dual M-25 Entries

(2) Fusing not for Canadian or Marine Installations

① Construction/Certification Notes:  
KF1L units are standard with two 3/4" NPT hubs (1 plugged) and an 8-bolt factory sealed termination chamber, suitable for CID1 BCD -50°C to +55°C and IEC Zone 1 Ex de suitable for -20°C to 55°C.

Use option LT for all models needing IEC Zone 1, -50°C to +55°C suitability. Option IEX4B utilizes 4 cover bolts for Ex de and maintains all ratings **EXCEPT CID1 BCD.**

See logic for other entry options



**KILLARK®**

See [www.hubbell-killark.com](http://www.hubbell-killark.com) Lighting Software, for latest LED Photometry.

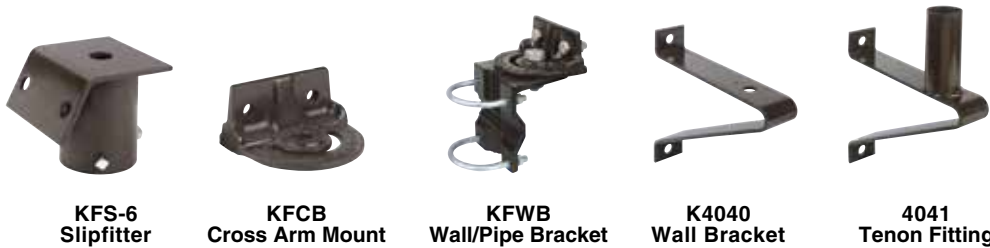
Ordering Information and Ambient Suitability					NEC				IEC			
					CID1④⑤⑥		C2D1④⑤⑥		CIZone1④		Zone21④	
Catalog No.①	Watts	Voltage②	Amps 120/277③	Lumens	40°C	55°C	40°C	55°C	40°C	55°C	40°C	55°C
KF1L09030	90	120VAC	.72/.31	7182	T6	T6	EFG	☉	T5	T6	T4	T3
KF1L10530	105	through	.85/.37	8362	T6	T6	EFG	☉	T5	T6	T4	T3
KF1L11030	110	277VAC	.95/.41	10590	T6	T6	EFG	☉	T6	T6	T4	T3
KF1L12530	125	50/60Hz	1.10/.48	11560	T5	T5	EFG	☉	T6	T6	T4	T3

- ① Shipping weight Approx. 46lbs; **yellow highlighted** models have extra high lumen LED's.
- ② See logic for 347-480V availability
- ③ Amperage measured at 120VAC; 277VAC calculated
- ④ Use 75° Supply Wire @40°C Ambient; 90°@55°C Ambient
- ⑤ CID1 40°/55° & C2D1 40°C use Aiming Figure "A" below.
- ⑥ 55°C C2D1 EFG T3C Aiming Figure "B". 55° C2D1 EF T3A Aiming Figure "A"

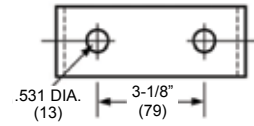
**-50°C to +55°C Suitability**

L70	Calculated	TM-21**
90 or 105W Models	150,000+	60,100
110 or 125W Models	150,000+	72,600

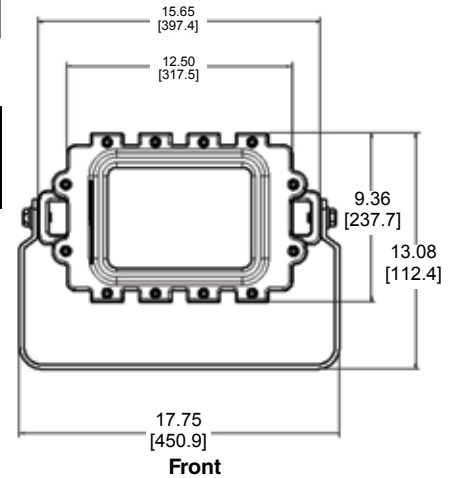
\*\*TM-21 based values require very long duration testing. IES TM-21 "official reported" is based on the # of hours of LED chip manufacturer's LM-80 Testing (minimum 36,000, but continuing) at launch.



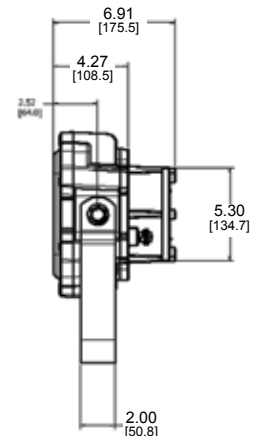
### Dimensions



Trunnion Mounting Detail



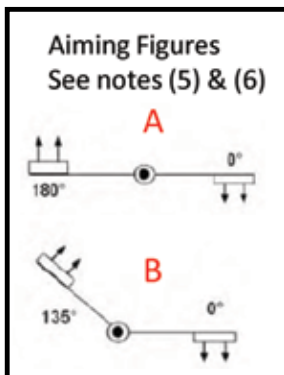
Front



Side

KFL Mounts and Accessories①	
CATALOG NUMBER	DESCRIPTION
KFS-6	Steel Slipfitter for 2" Pipe (2-3/8" o.d.) Tenon. Slips 3.75" Over Pipe.
KFCB	Heavy Duty Cast-Iron Crossarm Fitting for Horizontal Trunnion
KFWB	Heavy Duty Wall Mount and/or Pipe Clamp Fitting Clamps 2" Pipe (2-3/8" o.d.) Through 2-1/2" Pipe (2-7/8" o.d.)
K4040	Heavy Duty Steel Wall Bracket. (Must be with KFCB Crossarm Fitting).
4041	Heavy Duty Steel Wall Bracket 2" Pipe (2-3/8" o.d.) Tenon Fitting.
KF1LG	Wire Guard, 316 Stainless Steel
VMSC10	10' Stainless Steel Safety Cable with loop grip②
KF1L-DARK	Dark Sky Visor, White Painted Aluminum③
KF1L-DOOR	Replacement Door and Lens Assembly

- ① Fittings available to adapt trunnion mount floodlights to crossarms, poles and walls. Must be ordered separately.
- ② Drop limit 1'. Attaches to luminaire cable provision and to mounting structure.
- ③ Designed to eliminate uplight when aimed at 45°.



**2Q14** **KF1LP Series**  
**Portable LED Floods**  
**CID1, C2D1, IP66, N4X**



EBS Battery Unit Only



The EBS23 System Requires EXACTLY 2 Heads for operation (total attached or remote); each Head is approximately 30VDC, 10Watts.

**Class I, Div. 1&2, Groups B①,C,D**  
**Class I, Zone 1&2, Groups IIB+H2①, IIA**  
**Class II, Div. 1&2, Groups EFG**  
**Class III**  
**Enclosure Type 4 (NEMA 4, 7B① CD, 9EFG)**

File LR11713

### FEATURES-SPECIFICATIONS

[RETURN to Index](#)

## HOSTILE<sup>™</sup> EBS

EMERGENCY

### Applications

Where required by the NEC (or local "Life Safety" code) for safe egress (over doors, aiseways, stairs, walkways, exit paths, and outer perimeter walls) to provide illumination during interruption of normal power to area lighting.

In indoor or outdoor locations made hazardous by the presence of flammable gas, vapors, or dusts. Includes refinery/chemical production and storage, grain processing, waste water treatment facilities and any area requiring heavy-duty dependable emergency lighting.

### Exclusive Features

- LED Heads provide clear crisp illumination at 5000K②
- LED Head L70 value 100,000 hours for minimal maintenance
- Up to 500% brighter than competitive conventional units③
- Enclosure Type 4 (NEMA 4) for wet and harsh locations
- Group B is standard when using EBSHK type heads
- Automatic Safety Disconnect - Removing main cover disconnects battery power
- Ambient Suitability 0°C to 45°C Battery Unit; Heads to 55°
- Compact unit requires only two mounting points
- World Voltage 120-277 VAC 50/60Hz input

### Other Features

- High % of lumens maintained during 90 minute egress cycle
- EBSHK type heads are fully adjustable on unit or remote when ordered with RFSL Factory Sealed mounting kits

- EBSEL type heads are factory sealed on their EZ type mounting boxes
- Heads can be remote mounted over 300' from battery unit
- Ni-Cad sealed batteries provide 90 minutes of illumination
- Integral base unit LED pilot light indicates AC power is present
- Choice of Integral or Remote Push-To-Test station to verify system operation
- Vapor Capsule to inhibit corrosion is standard with main enclosure unit
- Terminal Blocks identified for incoming and outgoing connections

### Compliances

- UL 1598 Standard for Luminaires
- UL 8750 for LED Lighting
- UL 844 Luminaires for Hazardous Locations
- UL 1203 Explosion-Proof/Dust-Ignition-Proof Electrical Enclosures
- UL 924 Emergency Lighting
- CSA C22.2 no. 137-M1981 Luminaires for Hazardous Locations
- CSA C22.2 no. 30-M1986 C1D1 Enclosures
- CSA 22.2 no. 25-1066 C2D1 EFG Enclosures
- Enclosure Type 4
- NEMA 4, 7B①CD, 9EFG

### Materials

- Main Enclosure and Heads Copper Free Aluminum alloy with Baked Powder epoxy/polyester finish, electrostatically applied for complete, uniform corrosion protection
- Attachment fittings copper-free aluminum
- External hardware 316 Stainless Steel
- EBSEL reflectors EXIT accessory aluminum with white paint

### Notes

- ① Main EBS unit is CID1 Grp B (Suitable Zone 1 IIB+H2) with attached EBSHK heads or no heads; with attached EBSEL heads unit is CID1 Groups CD (Suitable Zone 1 IIB, IIA)
- ② See VSL Series Photometry Color Graphs; 5000K is typical "sunlight"
- ③ Based on published tungsten/incandescent data EBSEL Heads 300% brighter; EBSHK Heads 500% brighter



EBS Unit with HK Type Heads and Integral Push-To-Test



EBS Unit with EL Type Heads and Integral Push-To-Test



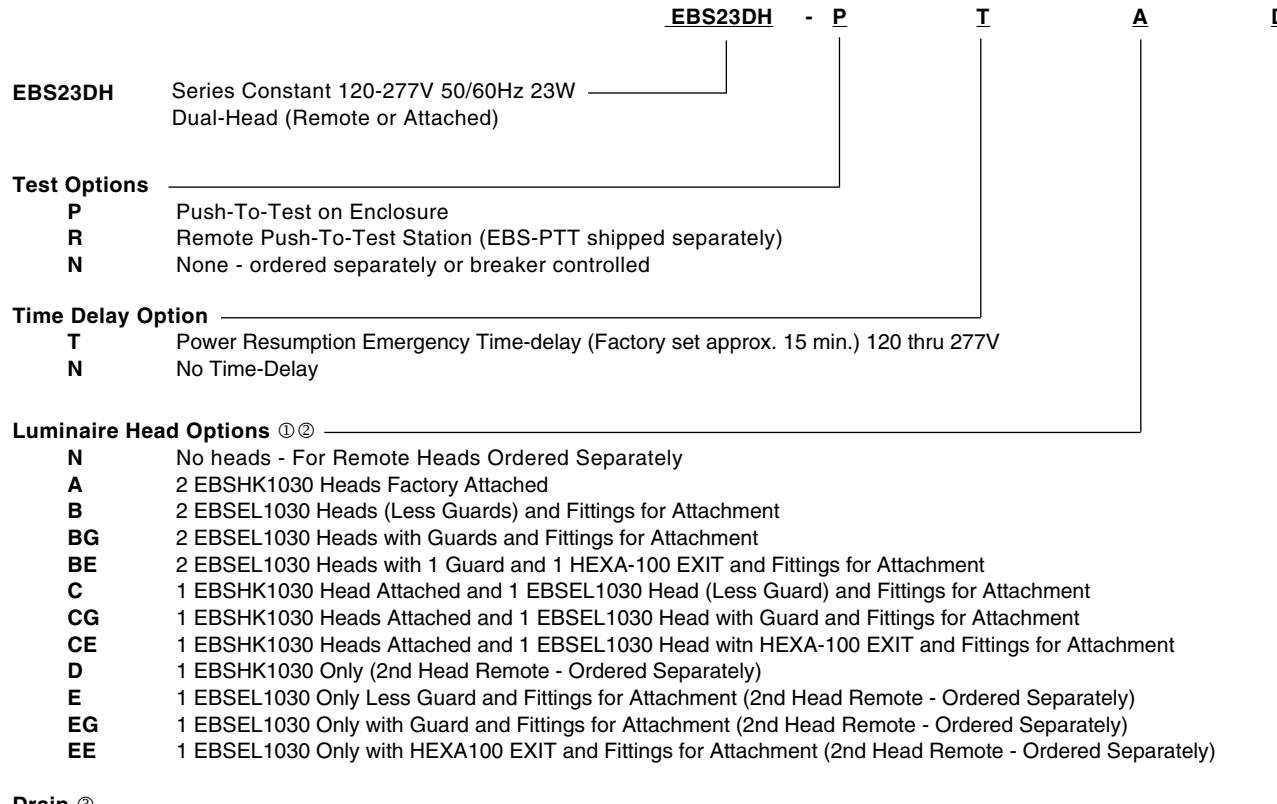
EBS Unit with EL Type Head and Exit plus HK Head with remote Push-To-Test



**KILLARK**

See [www.hubbell-killark.com](http://www.hubbell-killark.com) Lighting Software, for latest LED Photometry.

### Catalog Number Logic



① Main Enclosure nameplate does not reflect heads ordered; unit is Dual Marked with ratings dependent on heads attached. E.g. if No heads or EBSHK only head(s) attached then unit is C1D1 Groups BCD; if an EBSEL head is attached then unit is Groups CD.

② Units ordered with EBSHK heads are shipped with heads attached; EBSEL heads are shipped separately.

③ Drain packed in enclosure with vapor capsule.

### EBS Unit - Bottom Detail



Factory Sealed Remote LED Spot Light - Bottom Feed



Factory Sealed Remote LED Spot Light - Side Feed



Remote Push-To-Test Station



Remote LED Luminaire



- ① Optional Push-To-Test
- ② Optional Group B Drain
- ③ Standard Pilot Light
- ④ Entry for Remote P-T-T Station
- ⑤ Power Entry (also on top)

The EBS23 System Requires EXACTLY 2 Heads for operation (total attached or remote); each Head is approximately 30VDC, 10Watts.





Class I, Div. 1&2, Groups B<sup>Ⓢ</sup>,C,D  
Class I, Zone 1&2, Groups IIB+H2<sup>Ⓢ</sup>, IIA  
Class II, Div. 1&2, Groups EFG  
Class III  
Enclosure Type 4 (NEMA 4, 7B<sup>Ⓢ</sup> CD, 9EFG)

File LR11713

**ORDERING INFORMATION**

Integral Push-To-Test		Remote Push-To-Test	
EBS System with Two EBSHK Heads ②③		CID1BCD	
Integral PTT, Two EBSHK	Integral PTT, <b>TDR</b> , Two EBSHK	Remote PTT, Two EBSHK	Remote PTT, <b>TDR</b> , Two EBSHK
<b>EBS23DH-PNA</b>	<b>EBS23DH-PTA</b>	<b>EBS23DH-RNA</b>	<b>EBS23DH-RTA</b>



EBS System with Two EBSEL Heads with Guards ②③		CID1CD	
Integral PTT, Two EBSEL Heads w/ Guards	Integral PTT, <b>TDR</b> , Two EBSEL Heads w/Guards	Remote PTT, Two EBSEL Heads w/Guards	Remote PTT, <b>TDR</b> , Two EBSEL Heads w/Guards
<b>EBS23DH-PNBG</b>	<b>EBS23DH-PTBG</b>	<b>EBS23DH-RNBG</b>	<b>EBS23DH-RTBG</b>



EBS System with One EBSHK Head & 1 EBSEL Head with Guard ②③		CID1CD	
Integral PTT, One EBSHK & One EBSEL Head w/Guard	Integral PTT, <b>TDR</b> , One EBSHK & One EBSEL Head w/Guard	Remote PTT, One EBSHK & One EBSEL Head w/Guard	Remote PTT, <b>TDR</b> , One EBSHK & One EBSEL Head w/Guard
<b>EBS23DH-PNCG</b>	<b>EBS23DH-PTCG</b>	<b>EBS23DH-RNCG</b>	<b>EBS23DH-RTCG</b>



EBS System with Two EBSEL Heads One with EXIT ②③		CID1CD	
Integral PTT, Two EBSEL Heads, One w/EXIT, One w/ Guard	Integral PTT, <b>TDR</b> , Two EBSEL Heads One w/EXIT, One w/Guard	Remote PTT, Two EBSEL Heads, One w/EXIT, One w/Guard	Remote PTT, Two EBSEL Heads, One w/EXIT, One w/Guard
<b>EBS23DH-PNBE</b>	<b>EBS23DH-PTBE</b>	<b>EBS23DH-RNBE</b>	<b>EBS23DH-RTBE</b>



EBS System with One EBSHK Head & One EBSEL Head with EXIT ②③		CID1CD	
Integral PTT, One EBSHK Head, One EBSEL w/EXIT	Integral PTT, <b>TDR</b> , One EBSHK Head, One EBSEL w/EXIT	Remote PTT, One EBSHK Head, One EBSEL w/EXIT	Remote PTT, <b>TDR</b> , One EBSHK Head, One EBSEL w/EXIT
<b>EBS23DH-PNCE</b>	<b>EBS23DH-PTCE</b>	<b>EBS23DH-RNCE</b>	<b>EBS23DH-RTCE</b>



EBS System Only for Remote Heads (order two separately) ②③		CID1BCD	
Integral PTT, No Heads	Integral PTT, <b>TDR</b> , No Heads	Remote PTT, No Heads	Remote PTT, <b>TDR</b> , No Heads
<b>EBS23DH-PNN</b>	<b>EBS23DH-PTN</b>	<b>EBS23DH-RNN</b>	<b>EBS23DH-RTN</b>



① Main EBS unit is CID1 Grp B (Suitable Zone 1 IIB+H2) with attached EBSHK heads or no heads; with attached EBSEL heads unit is CID1 Groups CD (Suitable Zone 1 IIB, IIA)  
② Use catalog logic for single attached head models and order required remote 2nd head separately. Note, for EXIT applications EBSEL heads must be ordered without guards.  
③ PTT = Push-To-Test; **TDR** = Time Delay Relay (prox 15 minutes after power resumption).





EBSEL1030 Remote Heads with Mount (Factory Sealed)			CID1CD; C2D1EFG	
10W 30VDC	Pendant 3/4" ①	Ceiling 3/4" ①	Wall 3/4" ①	Stanchion 1-1/2" ②
With Guard	EBSEL1030A2G	EBSEL1030X2G	EBSEL1030B2G	EBSEL1030D4G
Without Guard③	EBSEL1030A2	EBSEL1030X2	EBSEL1030B2	EBSEL1030D4

EBSEL1030 Components & Accessories - Description	Catalog Number
EBSEL 10W 30V Head Only with LED's, Less Mount and Guard	EBSEL1030
Guard	EMG1
Red Guard - used to signify remote fixture is for Emergency	EMG1-R③
EXIT Accessory - 3-sided white painted aluminum	HEXA-100③
Dome Reflector	ERSD15
Angle Reflector	ERA15
Sealed Fittings Set for attachment of Pendant EBSEL to EBS23HD-xxx	EBS-AHFS
Replacement Globe and Support Assembly	EMGS1



Mounting Boxes				
Pendant	Ceiling	Catalog Number	Stanchion	Hub Size
EZA2	EZX2	EZB2	-	3/4"
EZA3	EZX3	EZB3	-	1"
-	-	-	EZD4②	1-1/4" / 1-1/2"

- ① For 1" pendant, ceiling and wall hubs, substitute "3" for "2" in catalog number; example: EBSEL1030A3G.
- ② Stanchion conduit hub size supplied is 1-1/2" with 1-1/2" to 1-1/4" reducer for 1-1/4" mounting.
- ③ Order fixture without guard for use with HEXA-100 EXIT Accessory, or to order EMG1-R Red Guard.
- ④ For EBSEL with Mount Dimensions, see EMI15 series in lighting section.

EBSHK1030 10W 30V Heads, Components & Accessories		CID1BCD; C2D1EFG
Description	Catalog Number	
EBSHK Head Only with LED's - Requires Field Seal ①	EBSHK1030	
EBSHK Head with ADJUSTABLE FACTORY SEALED "C" fittings set	EBSHK1030-RFSC	
EBSHK Head with ADJUSTABLE FACTORY SEALED "L" fittings set	EBSHK1030-RFSL	
Sealed Fittings Set for attachment of EBSHK to EBS23DH-xxx	EBS-AHFS	

① Seal purchased separately appropriate of area of use

EBS23DH Series Accessories - Description	Catalog Number
Remote Push-To-Test Station Group B 3/4" Feed-Thru w/Close Up Plug ①	EBS-PTT
Remote Push-To-Test Station with Lock Off, Group B 3/4" Feed-Thru ①	EBS-PTT-LO
Lock-Off for Integral Push-To-Test	GO10502
Sealed Fittings Set for attachment of EBSHK to GEBC-2 or GEBL-2	EBS-AHFS
Replacement Battery Pack and Electronics	KLBP01
Replacement Vapor Capsule for corrosion protection	EBS-VC

① EBS23DH requires conduit seals (purchased separately) exiting enclosure within 18"; EBS-PTT contains a N.C. contact and is Factory Sealed for C&D and up to 5' for Group B.



EBSEL Shown with Exit Accessory



EBSEL1030



EMG1



EMG1-R



ERSD15



ERA15



EMGS1



EBSHK1030



EBSHK1030-RFSL



EBSHK1030-RFSC



EBS-PTT





**EBS System with SINGLE HEAD**

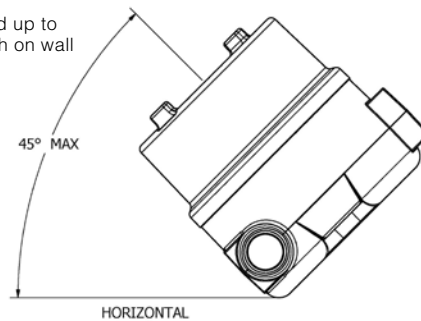


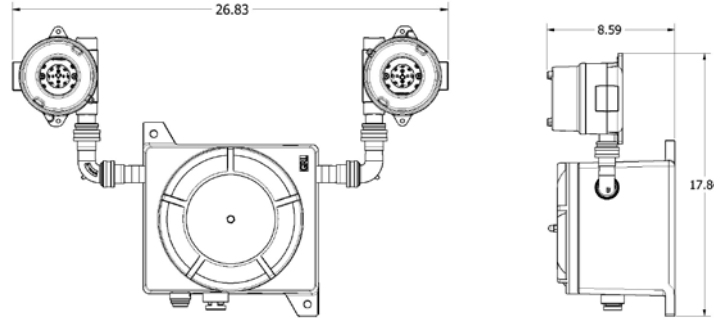
EBS23DH Electrical Data						
Catalog Number	Input**			Output**		
	Voltage	Watts	Current	Voltage	Watts	Current
EBS23DH	120-277VAC	7.5	.1 A	33VDC	23	700mA

\*\* Figures nominal. Current is 350mA to each of 2 heads (2 heads are required for proper operation, remote or attached).

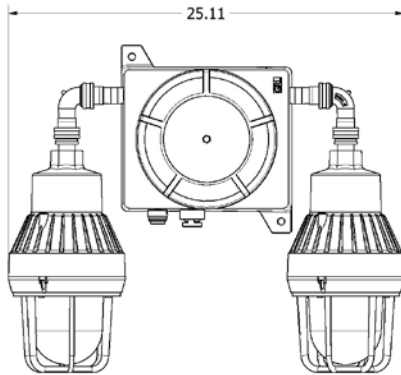
Thermal Performance Data					
Catalog Number	Ambient	CID1	CID1	Suitability	Supply Wire
EBS23DH	45°C	T6	EFG	0-45°C	75°C
EBSEL1030	55°C	T6	EFG	-40 to 40°C	75°C
EBSHK1030	55°C	T6	EFG	-40 to 40°C	75°C

EBSHK Heads can be aimed up to 45° above horizontal - if flush on wall will require spacing out.

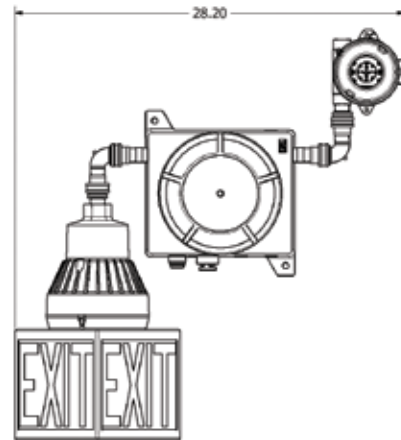




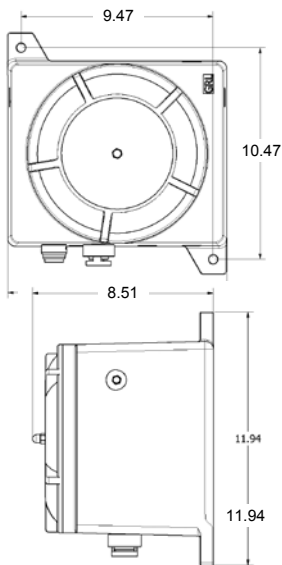
**Dimensions - EBS with HK Heads**



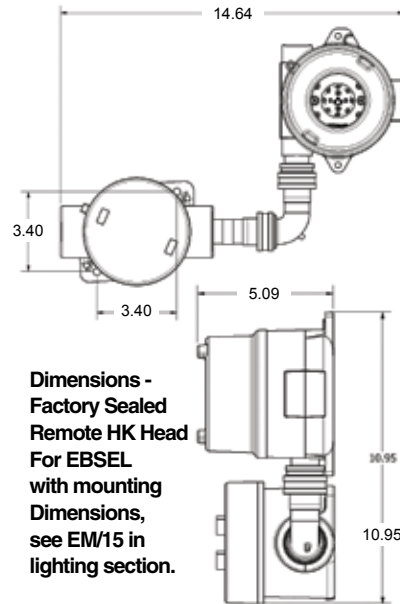
**Dimensions - EBS with EL Heads**



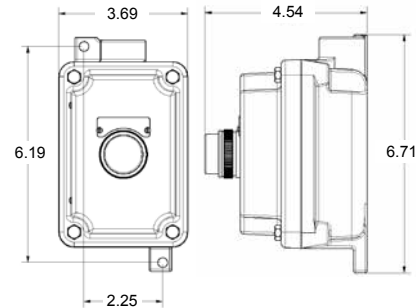
**Dimensions - EBS with EL-EXIT & HK Heads**



**Dimensions - EBS Main Unit**



**Dimensions -  
Factory Sealed  
Remote HK Head  
For EBSEL  
with mounting  
Dimensions,  
see EM/15 in  
lighting section.**



**Dimensions - Remote Test Station**

Weights (shipping) Individual and Combinations <sup>Ⓞ</sup>	Lbs.
EGS23DH Main Unit Only	36.6
EBSEL1030 Pendant Head Only w/Fittings Set	12.3
EBSHK1030 Head Only w/Fittings Set	05.0
EBSHK1030-RFSC (or RFSL)	11.0
EBS-PTT	03.0
EBS-AHFS Factory Sealed Fittings Set	00.6
EBS23DH & 1 EBSHK w/Fittings	41.6
EBS23DH & 2 EBSHK w/Fittings	46.6
EBS23DH & 1 EBSEL w/Fittings	48.9
EBS23DH & 2 EBSEL w/Fittings	61.2
EBS23DH & 1 EBSEL & 1 EBSHK w/Fittings	53.9

<sup>Ⓞ</sup> EBSEL Heads ship separately

# What makes Killark LED products GREEN?



Available 2014

## CERTiTE<sup>®</sup> DESIGN LIGHTING DESIGN SOFTWARE

- Improved import/export of CAD files (DWG/DXF/PDF)
- Improved luminaire selection with images
- Calculations in "Real Time"
- User definable obstructions
- False Colors to indicate "Relative Brightness"
- Backward compatible with V4 project files

RETURN  
to Index

Hubbell is committed to be a recognized leader in conserving natural resources to sustain our environment.



HSI=GREEN  
HUBBELL INTELLIGENT SOLUTIONS



## LED More Lumens per Watt

- Saves Energy compared to other lighting sources -

Fixture Type	Light Source	Line Wattage <sup>②</sup>	Delivered Lumens <sup>③</sup>	Lumens per Watt	Photometric Report
VM4L13030 <sup>①</sup>	LED	134.71	15630	116.0	BAL17067
VM4P200 <sup>①</sup>	MHP	232	18009	77.6	HK09919U
VM1L5030 <sup>①</sup>	LED	55.12	5824	105.7	BAL17122
VM1S050 <sup>①</sup>	HPS	62.0	3360	54.2	HPK009950
VM1H070 <sup>①</sup>	MH	90.0	4536	50.4	HPK009935
VQ1F5230 <sup>①</sup>	CFL	64.0	2736	42.8	LSI25349
VaporTight <sup>④</sup>	Incan.	150.0	2699	18.0	ET442841

- Saves Significant Maintenance Labor Time and \$ (fewer trips for relamping)

	Hours Life <sup>⑤</sup>	# Trips
Killark LED	60,000	1.0
50HPS	24,000	2.5
70MH, 200MHP	15,000	4.0
52CFL (2 x 26W)	10,000	6.0
150 Incan.	750	80.0

- Lower facility carbon footprint (emissions) by reducing electrician maintenance trips to fixture
- Service Trucks: direct diesel or gas emissions
- Forklifts, Sissor-lifts, or Cherry Pickers: use utility electricity to charge batteries, or gas
- High Color Rendering (5000K - CCT; 70 CRI) for better visibility can reduce the number of fixtures needed.
- The US DOE recognizes "Spectrally Enhanced Lighting", particularly at low light levels, as a method to maintain visual effectiveness using fewer watts, e.g. vs HPS (2100°Kelvin - CCT; 21CRI). <sup>⑥</sup>
- Killark LED luminaires use RoHS compliant materials to minimize environmental contamination

## SEE The Difference Visually & Economically

- High Color Rendering for better visibility and less fixtures



125W LED Floodlight  
(128W Actual)

Photopic 165 Lux;  
Spectral 285 Lux \*

Visually Effective lux 251 \*



250W HPS Floodlight  
(280W Actual)

Photopic 267 Lux;  
Spectral 152 Lux \*

Visually Effective lux 169 \*

\* Measurements using special Solar Color Sensing Light Meter. Visually Effective Lux indicates a blend of color that can be seen by the human eye. 10 Lux equals approximately 1 Footcandle

### NOTES:

- ① VM1 Using VMG17 standard globe; VM4 using VMG25 globe (Class I Division 2; Class II Division 1)
- ② Wattage from Test Report or Ballast mfg. data (greater than "nominal" wattage)
- ③ Delivered Lumens on LED from Absolute Photometry; for HID, Compact Fluorescent, or Incandescent data is from noted Photometric Report's Zonal Lumen Summary, which is delivered lumens.
- ④ Traditional 3.18" dia. 6.68" high Clear Globe with 150A21 Lamp
- ⑤ Minimum LED Life to 70% of initial lumen output; HID, CFL, Incandescent from mfg. catalog data
- ⑥ For more information go to:  
[http://apps1.eere.energy.gov/buildings/publications/pdfs/ssl/leel\\_enhanced\\_longbeach2013.pdf](http://apps1.eere.energy.gov/buildings/publications/pdfs/ssl/leel_enhanced_longbeach2013.pdf)



**KILLARK<sup>®</sup>**









See [www.hubbell-killark.com](http://www.hubbell-killark.com) Lighting Software, for latest LED Photometry.



# LED LIGHTING RANGE FROM KILLARK®

\*See catalog data for complete ratings, certifications and series features

RETURN  
to Index

	SERIES	HIGHLIGHTS	SUITABILITY
	VSL	<ul style="list-style-type: none"> <li>• LED 13 &amp; 16W</li> <li>• Utility retrofits for energy savings</li> <li>• Compact size, traditional look</li> </ul>	<b>V S L</b> Class I, Div. 2, Groups A,B,C,D Class I, Zone 2, Groups IIC, IIB, IIA Class II, Div. 2, Groups F,G Class III Suitable for wet locations
	DVL		
	<b>CERTILITE</b> MBL	<ul style="list-style-type: none"> <li>• LED 14 - 50W</li> <li>• Compact Design</li> <li>• Globe or Flat Lens models</li> <li>• Pathway Reflector</li> </ul>	Class I, Div. 2, Groups A,B,C,D Class I, Zone 2, Groups IIC, IIB, IIA Class II, Div. 1 & 2, Groups E,F,G Class III Suitable for wet locations NEMA 3, 4X Marine
	<b>CERTILITE V</b> VM1L	<ul style="list-style-type: none"> <li>• LED 40, 45, 50W</li> <li>• Reduced profile</li> <li>• Swing-barrel nut &amp; EZ Mount Adapter for easy installation</li> </ul>	Class I, Div. 2, Groups A,B,C,D Class I, Zone 2, Groups IIC, IIB, IIA Class II, Div. 1 & 2, Groups E,F,G Class III Suitable for wet locations Marine NEMA 3, 4X
	<b>CERTILITE V</b> VM2LB/C VM4LB/C	<ul style="list-style-type: none"> <li>• LED 40 - 130W</li> <li>• Up to 115 Lumens/watt</li> <li>• Patented Swing-barrel nut</li> <li>• "EZ" adapter</li> <li>• 2 internal heat sinks styles &amp; shallow depth models</li> </ul>	Class I, Div. 2, Groups A,B,C,D Class I, Zone 2, Groups IIC, IIB, IIA Class II, Div. 1 & 2, Groups E,F,G Class III Suitable for wet locations NEMA 3, 4X IP66 Marine
	<b>HOSTILE</b> EML	<ul style="list-style-type: none"> <li>• LED 40, 45, 50W</li> <li>• Compact Explosion-proof with traditional industrial appearance</li> <li>• Factory Sealed</li> </ul>	Class I, Div. 1 & 2, Groups C,D Class I, Zones 1 & 2, Groups, IIA Class II, Div. 1 & 2, Groups E,F,G Class III, Div. 1 & 2 Suitable for wet locations Marine NEMA 3, 4, 4X Factory Sealed
	<b>PETROBRIGHT</b> KFLC	<ul style="list-style-type: none"> <li>• LED 15-45W</li> <li>• Compact Design</li> <li>• 5000K White Light</li> <li>• Dark Sky Visor</li> </ul>	Class I, Div. 2, Groups A,B,C,D Class I, Zone 2, Groups IIB+H2, IIA Class II, Div. 1 & 2, Groups E,F,G Class III Suitable for wet locations Marine NEMA 3, 4X, IP66
	<b>PETROBRIGHT</b> KFL	<ul style="list-style-type: none"> <li>• LED 60-125W</li> <li>• Up to 125 Lumens/Watt</li> <li>• 5000K White Light</li> <li>• IEC Ex model</li> </ul>	Class I, Div. 2, Groups A,B,C,D Class I, Zone 2, Groups IIB+H2, IIA Class II, Div. 1 & 2, Groups E,F,G Class III Suitable for wet locations Marine NEMA 3, 4X, IP66
	<b>PETROBRIGHT</b> KF1L	<ul style="list-style-type: none"> <li>• LED 90-125W</li> <li>• Up to 95 Lumens/Watt</li> <li>• Explosion Proof</li> <li>• IEC Ex model pending</li> </ul>	Class I, Div. 1 & 2, Groups B,C,D Class I, Zones 1 & 2, Groups IIB+H2, IIA Class II, Div. 1 & 2, Groups EFG Class III Enclosure Type 4 (NEMA 4, 7B CD, 9EFG), IP66
	<b>HOSTILE</b> EBS	<ul style="list-style-type: none"> <li>• LED 10W 5000K Color</li> <li>• Up to 5X's Brighter than comparable units</li> <li>• Exit Sign</li> <li>• Remote Mount Options</li> </ul>	Class I, Div. 1 & 2, Groups B,C,D Class I, Zones 1 & 2, Groups IIB+H2, IIA Class II, Div. 1 & 2, Groups E,F,G Class III Enclosure Type 4 (NEMA 4) NEMA 7BCD, 9EFG



**KILLARK®**

3940 M.L. King Dr. St. Louis, MO 63113  
 TEL: (314) 531-0460 FAX: (314) 531-7164  
 www.hubbell-killark.com

RACO® BELL® KILLARK® HAWKE® CHALMIT® WIEGMANN® VANTAGE® VICTOR®

MCATLED 01-14  
 ©2014 Hubbell Incorporated (Delaware)