

Wallplates  
 Weatherproof Covers for Receptacles  
 For FS/FD Box Mounting

# HUBBELL

## Ordering Information

Description	Catalog Number	UPC
For use with receptacles with face diameter of 2.09-2.13" (53.1-54.1), no lift cover, NOT	HBL9419	783585809557

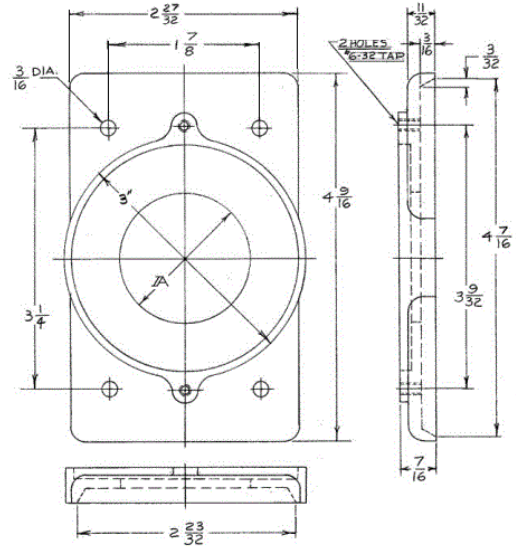


## Listings

UL Listed - Canadian and U.S.

## Specifications

Material	Aluminum
----------	----------



## Online Resources

Customer Use Drawing  
 eCatalog

Dimensions in Inches (mm)

Hubbell Wiring Device-Kellems • Hubbell Incorporated (Delaware) • 40 Waterview Drive • Shelton, CT 06484

Phone (800) 288-6000 • Fax (800) 255-1031 • Specifications subject to change without notice.

