

Twist-Lock® Devices 15A, 125V, 2 Pole, 2 Wire Non-Grounding Plug

HUBBELL

Features

- Ribbed nylon housing provides secure, impact and chemical resistant grip
- Superior cord grip design protects terminations from excess strain
- Integral VARI-SIZE insert accommodates a wide range of cord diameters (.22 to .72 in.)

Ordering Information

Description	Cord Diameter	UPC	Catalog Number
Black and white nylon, polarized.	.230"-.720" (5.8-18.3)	783585178509	HBL7545C

Listings

Listed to UL 498
Fed. Spec W-C-596
Certified to CSA C22.2 No. 42

Specifications

Housing / Cord Clamp	Nylon
Terminal Retainer	Clear polycarbonate
Blades	Brass
Terminal Screws	#8-32 Brass (Phillips / Slotted / Robertson)
Terminal Clamp	Cold rolled steel – nickel plated
Assembly Screws	Steel – nickel plated

Performance

Electrical

Current Interrupting	Certified for current interrupting at full rated current
Dielectric Voltage	Withstands 2,000V minimum

Mechanical

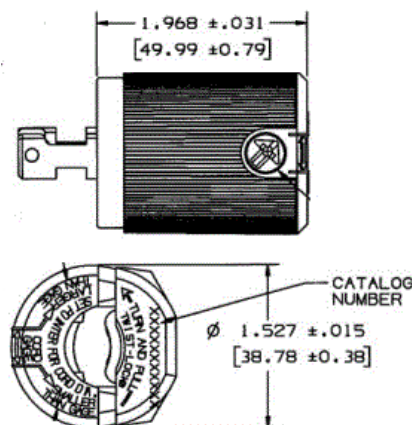
Terminal Accommodation	#18 AWG - #10 AWG stranded copper wire only.
Terminal Identification	Terminals identified in accordance with UL 498

Environmental

Flammability	HB or better per UL94/CSA 22.2 No.0.17
Moisture Resistance	IP20 Suitability
Operating Temperatures	Maximum Continuous 75°C; Minimum -40°C (w/o impact)



15A 125V
NEMA L1-15P
UL Listed
0.5 HP



Accessories

Connector	HBL7506C
Duplex Receptacle	HBL7540
Single Receptacle	HBL7535
Nylon Flanged Receptacle	HBL7526C
Weatherproof Boot	HBL6023

Resources

Customer Use Drawing
eCatalog

Dimensions in Inches (mm)

Hubbell Wiring Device-Kellems • Hubbell Incorporated (Delaware) • 40 Waterview Drive • Shelton, CT 06484

Phone (800) 288-6000 • Fax (800) 255-1031 • Specifications subject to change without notice.

