

Straight Blade Devices  
4-PLEX® Accessory  
4-PLEX Adapter plate

# HUBBELL

## Features

- Mounts directly to 1 and 2 gang or 4-inch square boxes

## Ordering Information

Description	Device Color	UPC	Catalog Number
4-PLEX adapter plates for 1- and 2-gang, device boxes	Ivory	783585013763	HBL4API

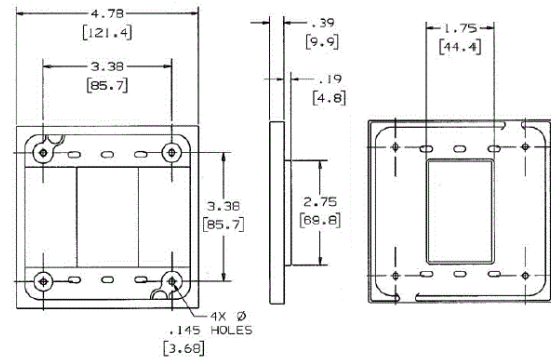


## Listings

Listed to UL Standard 498 File E2186  
Certified to CSA 22.2, No. 42 File 285

## Specifications

Plate	Polycarbonate
-------	---------------



## Resources

Customer Use Drawing  
eCatalog

Dimensions in Inches (mm)

Hubbell Wiring Device-Kellems • Hubbell Incorporated (Delaware) • 40 Waterview Drive • Shelton, CT 06484

Phone (800) 288-6000 • Fax (800) 255-1031 • Specifications subject to change without notice.

