

Twist-Lock® Devices  
20A Accessories  
Angle Adapter

# HUBBELL

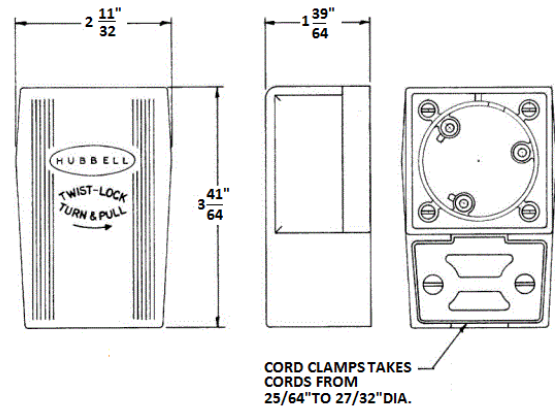
## Ordering Information

Description	Device Color	UPC	Catalog Number
Nylon, angle adapter for Insulgrip® plugs and connector bodies	Black/White	783585752549	HBL3WAA



## Performance

<b>Environmental</b>	
Flammability	UL 94 V0 for Receptacles and Inlets.HB or better for Plugs and Connectors
Moisture Resistance	IP55



## Accessories

Plug/Connector Accommodation 20 Amp & 30 Amp, 3 Wire Twist-Lock®

## Resources

Customer Use Drawing  
eCatalog

Dimensions in Inches (mm)

Hubbell Wiring Device-Kellems • Hubbell Incorporated (Delaware) • 40 Waterview Drive • Shelton, CT 06484

Phone (800) 288-6000 • Fax (800) 255-1031 • Specifications subject to change without notice.

