

## Twist-Lock® Devices

30A, 125/250V AC, 3 Pole, 4 Wire Grounding

## Single Flush Receptacle

### Features

- Wire restraint recess for both back and side wiring, greatly reduces the possibility of loosening the terminal connection
- Face color coding by voltage facilitates locating and mating of proper devices
- All-brass mounting and grounding system provides a lower resistance ground path and greater resistance to corrosion than steel mounting systems

### Ordering Information

Description	Device Color	UPC	Catalog Number
Nylon face, back and side wire.	Black	783585236087	HBL2710

### Standards

Listed to UL 498  
Fed. Spec. W-C-596  
Certified to CSA C22.2 No.42

### Specifications

Face	Nylon
Base	Glass-Reinforced thermoplastic polyester (RTP)
Contacts	Brass
Terminal Screws	#10 - 32 Brass
Mounting Strap	Brass

### Performance

<b>Electrical</b>	
Current Interrupting	Certified for current interrupting at full rated current
Dielectric Voltage	Withstands 2,000V minimum
<b>Mechanical</b>	
Terminal Accommodation	#16 AWG - #8 AWG solid or stranded copper wire only.
Terminal Identification	Terminals identified in accordance with UL 498
<b>Environmental</b>	
Flammability	V2 or better per UL94/CSA 22.2 No.0.17
Moisture Resistance	IP20 Suitability
Operating Temperatures	Maximum Continuous 75°C; Minimum -40°C (w/o impact)

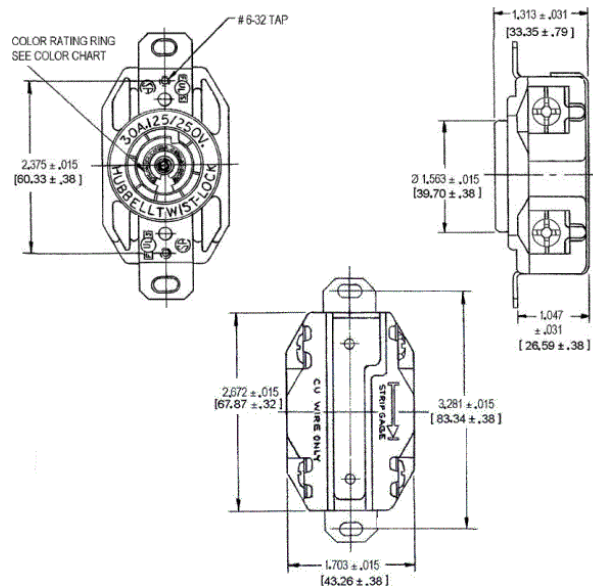
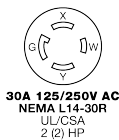
### Accessories

Plug	<b>HBL2711</b>
Wallplate or Weatherproof Cover	<b>1.60" Opening</b>
Switched Enclosure	<b>SETL3</b>

### Online Resources

eCatalog

# HUBBELL



Dimensions in Inches (mm)

Hubbell Wiring Device-Kellems • Hubbell Incorporated (Delaware) • 40 Waterview Drive • Shelton, CT 06484

Phone (800) 288-6000 • Fax (800) 255-1031 • Specifications subject to change without notice.

