

Hubbellock® Devices
20A, 125V, 2 Pole, 3 Wire Grounding
Hubbellock® Connector

HUBBELL

Features

- Spring loaded safety shutter contains arcing when mating or un-mating devices under load
- Spring loaded safety shutter automatically ejects the plug eliminating contact teasing
- Box terminals in conjunction with screws with pressure pads provide maximum termination strength and dependability
- Three-piece clamp assembly provides maximum strain relief and protects against entry of moisture and dust

Ordering Information

Description	Cord Diameter	UPC	Catalog Number
Nylon housing, thermoset interior	.320"- .660"(8.12-16.5)	783585017402	HBL23002GB

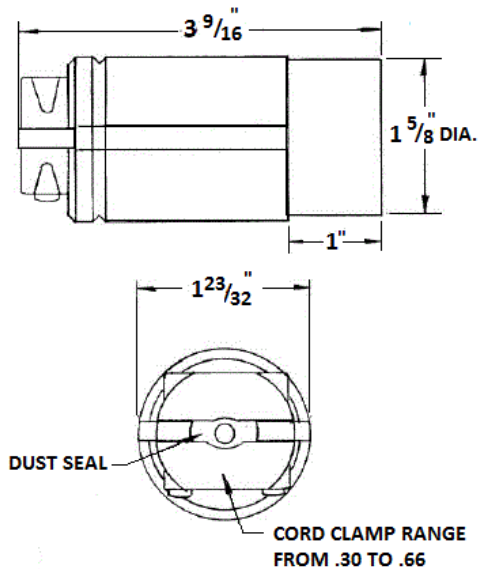


Specifications

Device Color	Black/White
Housing	Nylon
Cord Clamp Material	Nylon
Contact Housing	Thermoset
Contacts	Bronze
Shutter	Thermoset
Assembly Screws	Stainless Steel

Performance

Electrical	
Current Interrupting	Certified for current interrupting at full rated current
Dielectric Voltage	2,000V minimum
Mechanical	
Terminal Accommodation	#16 AWG - #12 AWG stranded copper wire only.
Terminal Identification	Terminals identified in accordance with UL 498
Environmental	
Flammability	HB or better
Moisture Resistance	IP30 Suitability
Operating Temperatures	Maximum Continuous 75°C; Minimum -40°C (w/o impact)



Accessories

Plug	HBL23005GB
------	------------

Resources

Customer Use Drawing
eCatalog

Dimensions in Inches (mm)

Hubbell Wiring Device-Kellems • Hubbell Incorporated (Delaware) • 40 Waterview Drive • Shelton, CT 06484

Phone (800) 288-6000 • Fax (800) 255-1031 • Specifications subject to change without notice.

