

## Single Pole Devices and Temporary Power

150A, 600V AC/250V DC

## Male Receptacles

# HUBBELL

### Ordering Information

Description	Device Color	UPC	Catalog Number
Double Set Screw type, 150A Panel Mount, thermoplastic	Green	783585458168	HBL15MRGN

### Standards

UL and cUL Listed  
UL Enclosure Types 3R, 4X, 12  
National Electric Code (NEC), ANSI/NFPA 70

### Specifications

Base Compound	Thermoplastic Elastomer (TPE)
Contact Material	Brass
Retaining Screw Material	Nylon
Mounting Hole	3x $\varnothing$ .20"
Termination	(2) 5/32 Socket Head Set Screws

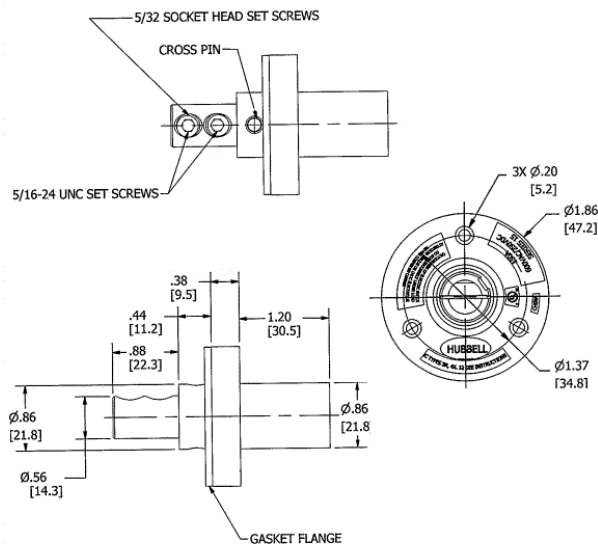
### Performance

Electrical	
Amperage Rating	150A Maximum
Voltage Ratings	600V AC Maximum; 250V DC Maximum

Mechanical	
Product Identification	Ratings are a permanent part of device
Terminal Accommodation	#8 to #2 AWG

### Online Resources

Customer Use Drawing  
eCatalog  
Installation Instructions



Dimensions in Inches (mm)

Hubbell Wiring Device-Kellems • Hubbell Incorporated (Delaware) • 40 Waterview Drive • Shelton, CT 06484

Phone (800) 288-6000 • Fax (800) 255-1031 • Specifications subject to change without notice.

