

Ground Fault Products
Straight Blade Portable GFCI Plugs
15 Ampere, 120 Volts AC, 2 Pole, 3 Wire
Grounding

HUBBELL

Ordering Information

| Description | Rating | UPC | Catalog Number |
|--|---|--------------|----------------|
| Circuit Guard® wired on industrial portable GFCI plug, manual set, black | 2 pole, 3 wire grounding, 15A, 125V, NEMA 5-15P | 783585690209 | GFP5266C |

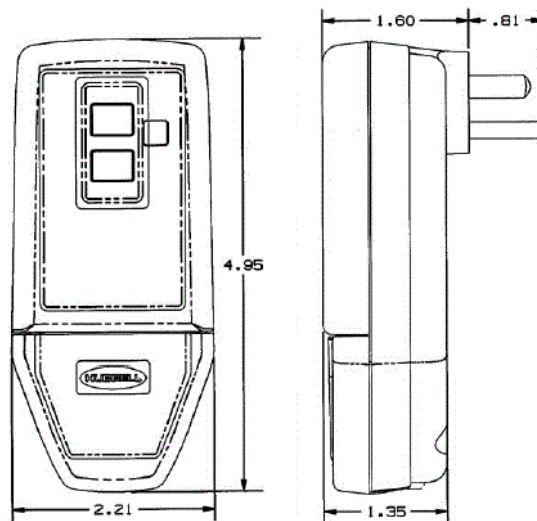


Listings

UL Listed
CSA Certified
NEC® and CEC requirements

Specifications

| | |
|--------|-----|
| Covers | PVC |
|--------|-----|



Online Resources

[Customer Use Drawing](#)
[eCatalog](#)
[Installation Instructions](#)

Dimensions in Inches (mm)

Hubbell Wiring Device-Kellems • Hubbell Incorporated (Delaware) • 40 Waterview Drive • Shelton, CT 06484

Phone (800) 288-6000 • Fax (800) 255-1031 • Specifications subject to change without notice.

