

**Straight Blade Devices**  
**15A, 125V, 2 Pole, 3 Wire Grounding**  
**Hubbell-Pro™ Heavy Duty Duplex Receptacles**

**HUBBELL**

**Features**

- Triangle marking on face indicates isolated ground
- Slender/compact design
- Finder Groove Face



**15A 125V**  
**NEMA 5-15R**  
 UL CSA  
 0.5 HP



**Ordering Information**

| Description           | Device Color | UPC          | Catalog Number |
|-----------------------|--------------|--------------|----------------|
| Isolated ground, back | Orange       | 783585387352 | CR5252IG       |

**Listings**

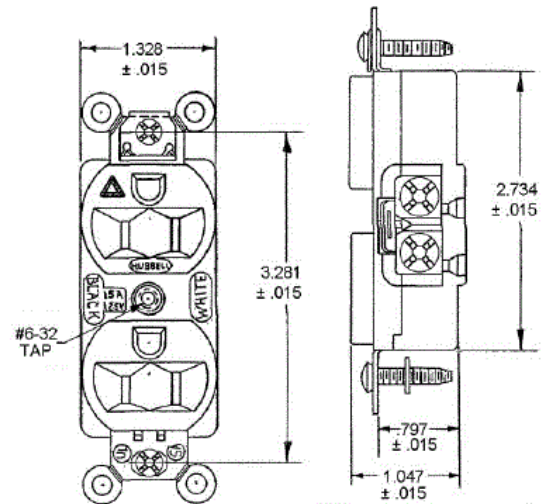
UL Listed to UL498 File No. E2186  
 Certified to CSA, C22.2, No. 42 File 285  
 Fed. Spec. WC596  
 NEMA® WD-6 Compliant

**Specifications**

|                               |                            |
|-------------------------------|----------------------------|
| Face                          | Nylon                      |
| Base                          | PBT                        |
| Mounting Strap                | .040" (1) Galvanized steel |
| Ground Contacts               | .031" (.8) Brass           |
| Clamp                         | Nickel plated steel        |
| Terminal Screws               | Brass                      |
| Mounting Strap                | Galvanized steel           |
| Automatic Self-grounding Clip | Stainless steel            |
| Mounting Screws               | Stainless Steel            |

**Performance**

|                         |                                                          |
|-------------------------|----------------------------------------------------------|
| <b>Electrical</b>       |                                                          |
| Current Interrupting    | Certified for current interrupting at full rated current |
| Dielectric Voltage      | Withstands 2,000V minimum                                |
| <b>Mechanical</b>       |                                                          |
| Product Identification  | Ratings are a permanent part of the device               |
| Terminal Accommodation  | #14-#10 AWG copper stranded or solid conductor only      |
| Terminal Identification | Terminals identified in accordance with UL 498 and CSA   |
| <b>Environmental</b>    |                                                          |
| Flammability            | UL 94 V-2                                                |
| Operating Temperatures  | Maximum continuous 75°C; minimum -40°C (w/o impact)      |



**Online Resources**

Customer Use Drawing  
 eCatalog  
 Installation Instructions

**Accessories**

Wallplate or Weatherproof Cover

Duplex Openin

Dimensions in Inches (mm)

Hubbell Wiring Device-Kellems • Hubbell Incorporated (Delaware) • 40 Waterview Drive • Shelton, CT 06484

Phone (800) 288-6000 • Fax (800) 255-1031 • Specifications subject to change without notice.

