

HARGER®

Pipe Ground Clamps



Industry Leading Design

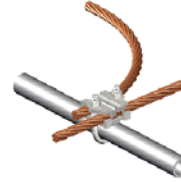
CPC Pipe Ground Clamps

- Wide conductor range; #6 Solid through 250 MCM.
- Also used for pedestal grounding.
- * Electro Tin Plated Bronze includes stainless steel hardware.

- Dual UL Listing (UL96 and UL467).
- Acceptable for direct burial.
- Tamper Resistant comes with break away nuts.



Tamper Resistant



Pipe Range .5/.75

Part No.	Tamper Resistant	Material	Nominal Pipe Size Range	Pipe Outside Diameter	Box Qty.	Approx. Box Wt. (lbs.)
CPC.5/.75	No	ETPB*	.5" - .75"	.375" - 1"	5	2-1/2
CPC.5/.75TP	Yes	ETPB*	.5" - .75"	.375" - 1"	5	2-1/2



Tamper Resistant



Pipe Range 1/1.25

Part No.	Tamper Resistant	Material	Nominal Pipe Size Range	Pipe Outside Diameter	Box Qty.	Approx. Box Wt. (lbs.)
CPC1/1.25	No	ETPB*	1" - 1.25"	.75" - 1.7"	5	3
CPC1/1.25TP	Yes	ETPB*	1" - 1.25"	.75" - 1.7"	5	3

- Feature "quick connect", bi-directional design.
- Pressed stud design ensures a flush mounting surface.



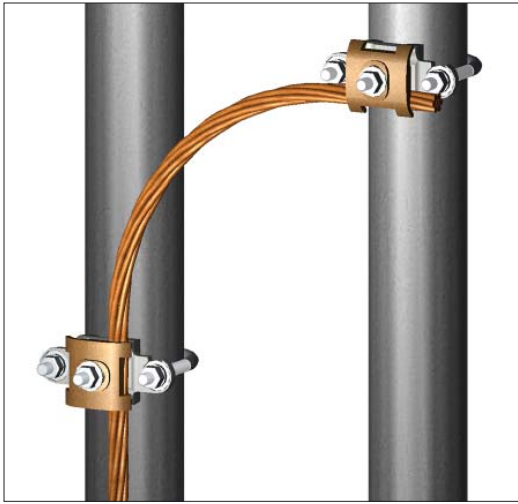
Tamper Resistant



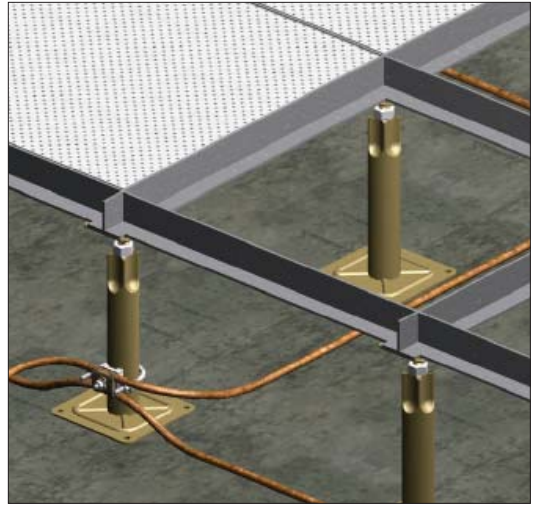
Pipe Range 1.5/2 - 5/6

Part No.	Tamper Resistant	Material	Nominal Pipe Size Range	Pipe Outside Diameter	Box Qty.	Approx. Box Wt. (lbs.)
CPC1.5/2	No	ETPB*	1.5" - 2"	1" - 2.4"	5	3-3/4
CPC1.5/2TP	Yes	ETPB*	1.5" - 2"	1" - 2.4"	5	3-3/4
CPC2.5/3	No	ETPB*	2.5" - 3"	2.25" - 3.5"	5	5
CPC2.5/3TP	Yes	ETPB*	2.5" - 3"	2.25" - 3.5"	5	5
CPC3.5/4	No	ETPB*	3.5" - 4"	3.2" - 4.5"	5	6-1/4
CPC3.5/4TP	Yes	ETPB*	3.5" - 4"	3.2" - 4.5"	5	6-1/4
CPC5/6	No	ETPB*	5" - 6"	4.75" - 6.63"	5	8-3/4
CPC5/6TP	Yes	ETPB*	5" - 6"	4.75" - 6.63"	5	8-3/4

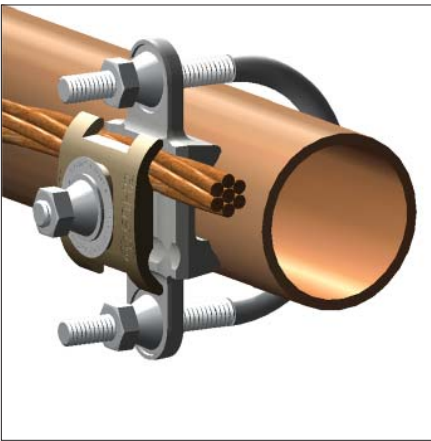
- Feature "quick connect", bi-directional design.
- Pressed stud design ensures a flush mounting surface.



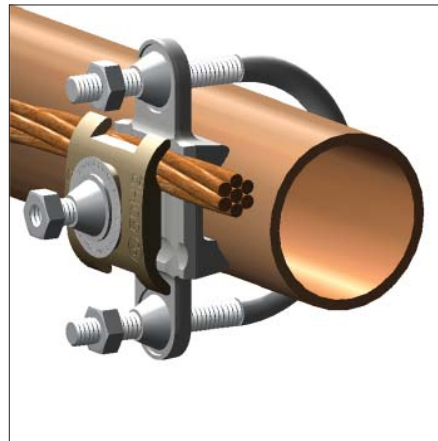
Bi-directional Design



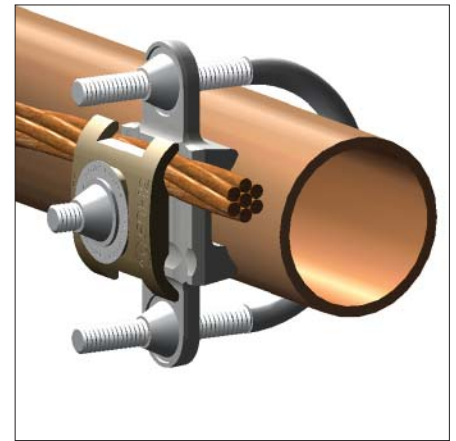
SRG Application



Tamper Resistant: Step 1



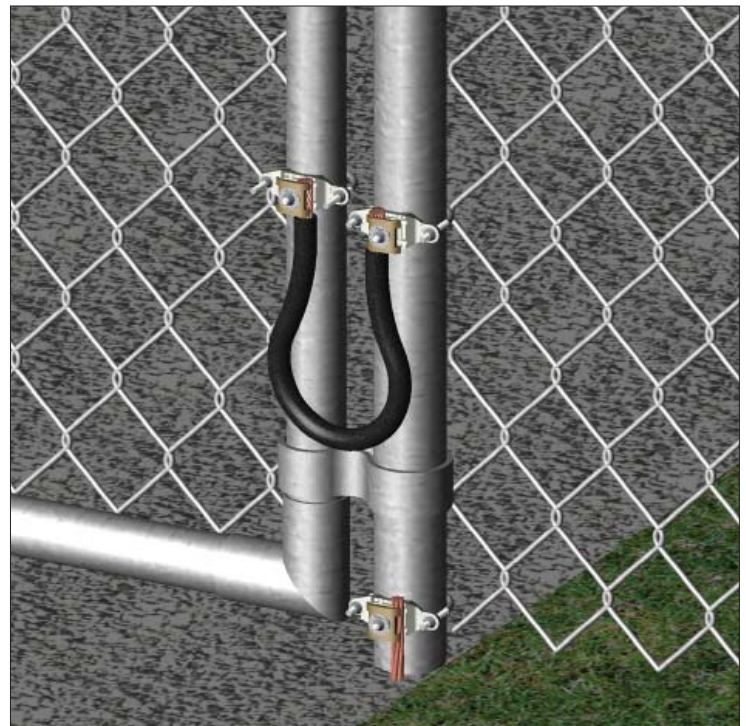
Tamper Resistant: Step 2



Tamper Resistant: Step 3



Fence Post Application




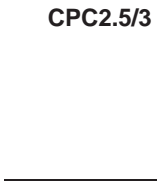

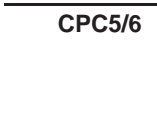


Fence Gate Application



Pipe Ground Clamps

Harger's CPC Series of Pipe Ground Clamps reduce inventory and increase profits by providing greater range taking capacity. Harger's 6 CPC Pipe Clamps replace up to 93 different BURNDY® Series Clamps. Only Harger's CPC Series Clamps are UL listed for both electrical grounding and lightning protection.

	Harger Part	BURNDY® GAR Part	BURNDY® GD Part	BURNDY® GP Part	Harger Conductor Range	Harger Actual OD Range
	CPC.5/75	GAR114C*		GP114C*	#6 Solid - 250 MCM	.375" - 1"
		GAR1126		GP1126		
		GAR1129		GP1129		
		GAR644C*		GP644C*		
		GAR6426		GP6426		
		GAR6429		GP6429		
		GAR144C*		GP144C*		
		GAR1426		GP1426		
		GAR1429		GP1429		
	CPC1/1.25	GAR144C*		GP144C*	#6 Solid - 250 MCM	.75" - 1.7"
		GAR1426		GP1426		
		GAR1429		GP1429		
		GAR154C*				
		GAR1526	GD1526			
		GAR1529	GD1529			
		GAR164C*		GP164C*		
		GAR1626	GD1626			
	GAR1629	GD1629	GP1629			
	CPC1.5/2	GAR154C*			#6 Solid - 250 MCM	1" - 2.4"
		GAR1526	GD1526			
		GAR1529	GD1529			
		GAR164C*		GP164C*		
		GAR1626	GD1626			
		GAR1629	GD1629	GP1629		
		GAR174C*	GD174C*			
		GAR1726	GD1726	GP1726		
		GAR1729	GD1729			
		GAR184C*	GD184C*	GP184C*		
		GAR1826	GD1826	GP1826		
	GAR1829	GD1829				
	CPC2.5/3	GAR194C*	GD194C*		#6 Solid - 250 MCM	2.25" - 3.5"
		GAR1926	GD1926			
		GAR1929	GD1929			
		GAR204C*	GD204C*			
		GAR2026	GD2026	GP2026		
		GAR2029	GD2029			
	CPC3.5/4	GAR214C*	GD214C*		#6 Solid - 250 MCM	3.2" - 4.5"
		GAR2126	GD2126			
		GAR2129	GD2129			
		GAR224C*	GD224C*			
		GAR2226	GD2226	GP2226		
		GAR2229	GD2229			
	CPC5/6	GAR244C*			#6 Solid - 250 MCM	5.63" - 6.63"
		GAR2426				
		GAR2429				
		GAR8629				

BURNDY® is a registered trademark of FCI-BURNDY Products

*BURNDY® Part # has a #8 Solid minimum