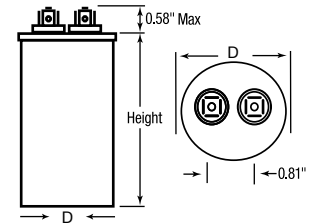


ProLume. Metal Halide Ballast Specifications

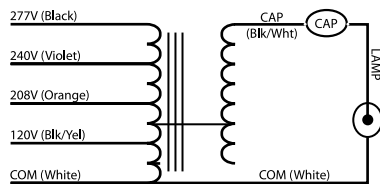
BALLAST SPECIFICATIONS				
Input Volts	120V	208V	240V	277V
Frequency	60Hz			
Circuit Type	CWA			
Input Power	295W			
Starting Current	1.4A	0.8A	0.7A	0.6A
Operating Current	2.6A	1.5A	1.3A	1.15A
Open Circuit Current	2.3A	1.3A	1.2A	1.0A
Recommended Fuse	10A	6A	5A	5A
Open Circuit Volts	304V			
Short Circuit Current (Input)	0.9-2.7A	0.5-1.5A	0.4-1.2A	0.4-1.2A
Short Circuit Current (Secondary)	2.1-3.5A			
Insulation System	Class H, 180°C			
UL 1029 Bench Top Rise Code	A	A	A	A
Min. Starting Temp	-22°F / -30°C			

CAPACITOR



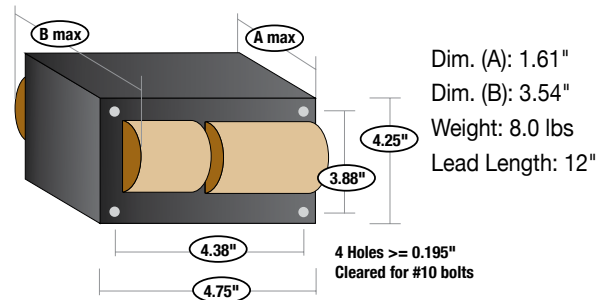
Diameter: 1.88"
 Height: 2.75"
 Cap.: 15µF
 Minimum Volts: 400V
 Case Max. Temp.: 90°C

WIRING DIAGRAM



Cap unused leads with wire nuts.

BALLAST DIMENSIONS



Dim. (A): 1.61"
 Dim. (B): 3.54"
 Weight: 8.0 lbs
 Lead Length: 12"

Actual performance can vary depending on operating conditions. Specifications are subject to change without notice. All specifications are nominal unless otherwise noted.

PN# 55144

