

**Coaxial Cable  
Part No. 5104**

Description: 20 AWG RG59/U COAX + 18 AWG 2/C FOR WET LOCATION

**Construction:**

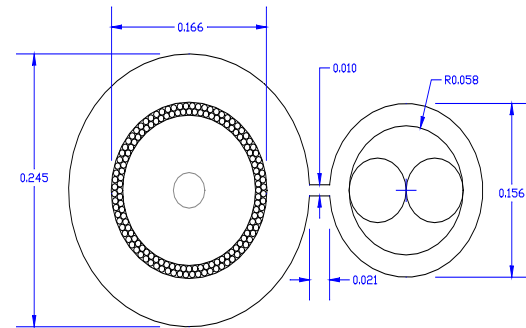
Conductors 20 AWG Solid Bare Copper Center Conductor  
2 - 18 AWG 16/30 Stranded Bare Copper

Insulation	<u>Coax</u>	<u>18 AWG 2/C</u>
Type	Foamed Polyethylene	Polypropylene
Color	White	Blk, Red
Thickness	0.057" nom.	0.006" nom.
Diameter	0.145" nom	0.058" nom.
Lay Length	---	2.25" nom.

Braid

Strands 0.005" nom. Bare Copper  
% Coverage 95 nom.  
Water Blocking Water Swellable Material  
Applied Under Jacket

Jacket	<u>Coax</u>	<u>18 AWG 2/C</u>
Type	Polyethylene	
Color	Black	
Thickness	0.034" nom.	0.020" nom.
Diameter	0.245" nom.	0.156" nom.
Overall Diameter	0.421 x 0.245" Nom.	



Legend (Indent) HONEYWELL P/N 5104 CCTV PREMIUM RG 59/U 20 AWG + 18 AWG 2/C WET LOCATION COAX SUN. RES

**Properties**

	<u>Coax</u>	<u>18 AWG 2/C</u>
Temperature Rating	-40 to 80°C	-40 to 80°C
Capacitance	17 pf/ft nom.	22 pf/ft nom.
Impedance	75 Ohms nom.	69.2 Ohms nom.
Resistance (Conductor)	10.9 Ohms/M' at 20°C	6.5 Ohms/M' at 20°C
Resistance (Shield)	2.6 Ohms/M' at 20°C	N/A
Attenuation (db/100')	0.2 at 1 MHz	N/A
	5.9 at 400 MHz	
	10.8 at 1000 MHz	