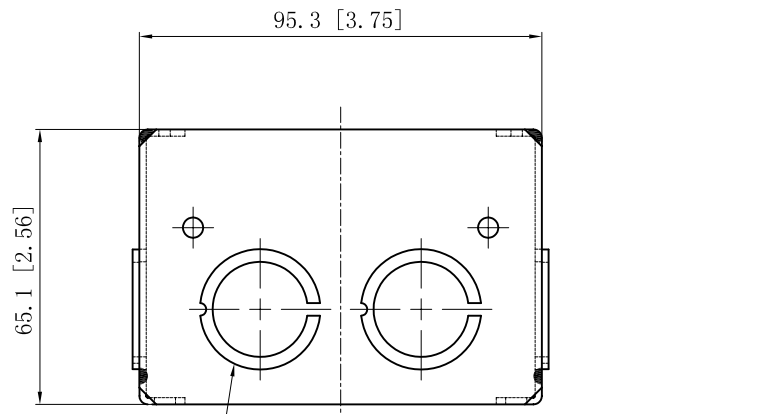
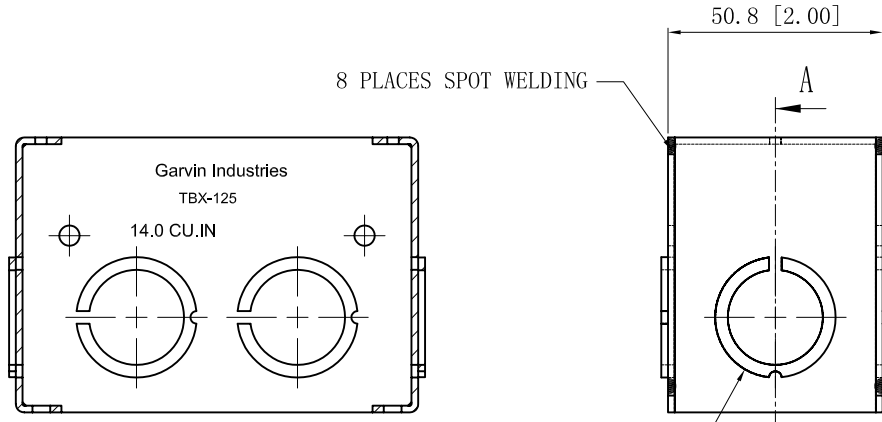
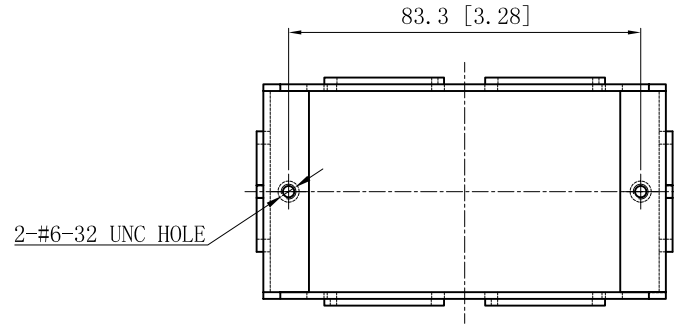
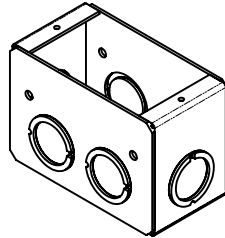


SIDES	BOTTOM
6 1/2"-3/4" MOON KNOCKOUTS	
Material: Steel-0.0625"-G60 Galvanized	



2 1/2-3/4 MOON KNOCKOUTS φ=22.5 [φ=0.89]
φ=28.5 [φ=1.12]
CUTAWAY VIEW A-A

4 1/2-3/4 MOON KNOCKOUTS φ=22.5 [φ=0.89]
φ=28.5 [φ=1.12] MIRROR

This data sheet is for reference only .GARVIN INDUSTRIES reserves the right to make changes to the design without prior notice.

DESCRIPTION
TRADE REFERENCE TERMS

STANDARD PACKING
20 PCS

GARVIN INDUSTRIES		
TITLE SOLID MASONRY BOX 2-1/2" DEEP		
SIZE A4	DWG NO. TBX-125	REV A
DATA SHEET		