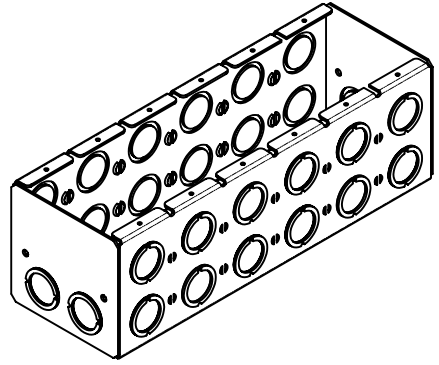
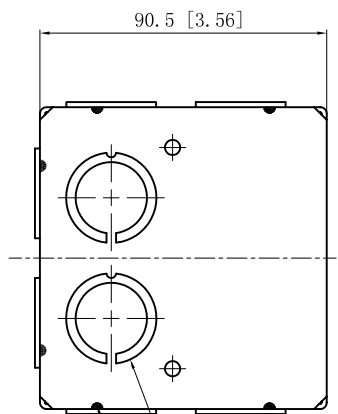
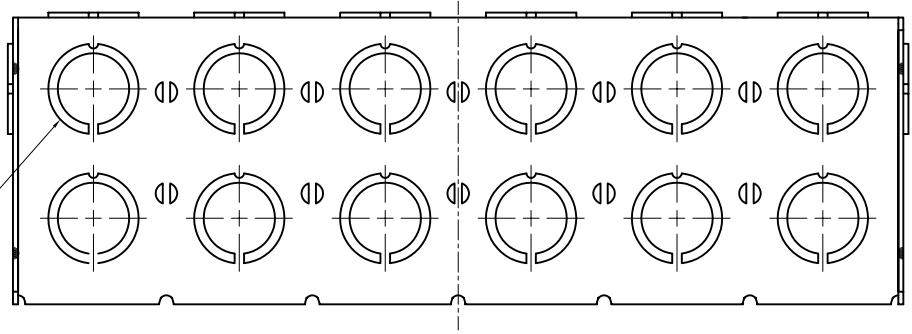


<b>SIDES</b>	<b>BOTTOM</b>
28 1/2"-3/4" MOON KNOCKOUTS	12 KNOCKOUTS
	12 1/2"-3/4" MOON KNOCKOUTS
Material: Steel-0.0625"-G60 Galvanized	

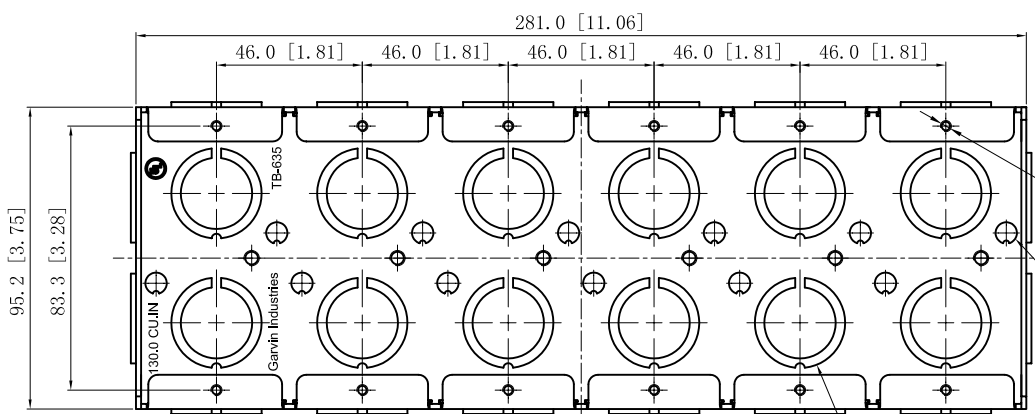


24 1/2"-3/4" MOON KNOCKOUTS  $\phi=22.50$  [ $\phi=0.886$ ]  
 $\phi=28.50$  [ $\phi=1.122$ ] MIRROR



4 1/2"-3/4" MOON KNOCKOUTS  $\phi=22.50$  [ $\phi=0.886$ ]  
 $\phi=28.50$  [ $\phi=1.122$ ] MIRROR

12 PLACES SPOT WELDING



12-#6-32 UNC HOLE

12 KNOCKOUTS  $\phi=6.75$  [ $\phi=0.27$ ]

12 1/2"-3/4" MOON KNOCKOUTS  $\phi=22.50$  [ $\phi=0.886$ ]  
 $\phi=28.50$  [ $\phi=1.122$ ]

<b>DESCRIPTION</b>
<b>TRADE REFERENCE TERMS</b>

This data sheet is for reference only .GARVIN INDUSTRIES reserves the right to make changes to the design without prior notice.

<b>STANDARD PACKING</b>	<b>GARVIN INDUSTRIES</b>		
	TITLE SOLID MASONRY BOX 3-1/2" DEEP		
1 PCS	SIZE A4	DWG NO. TB-635	REV B
	DATA SHEET		