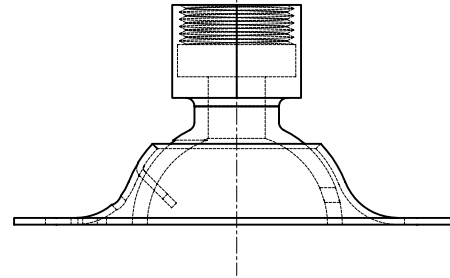
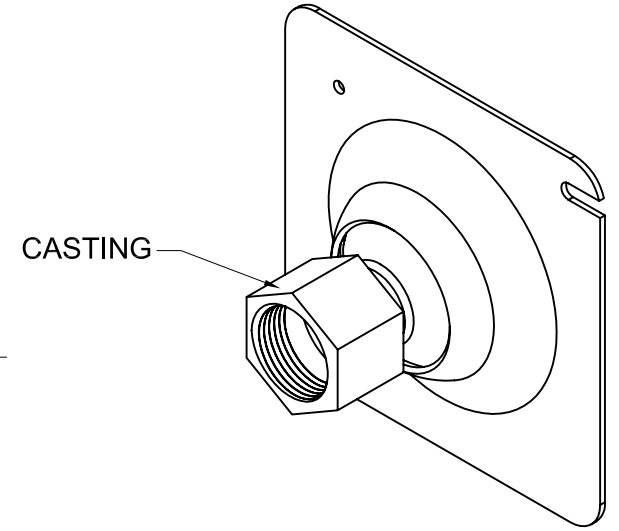
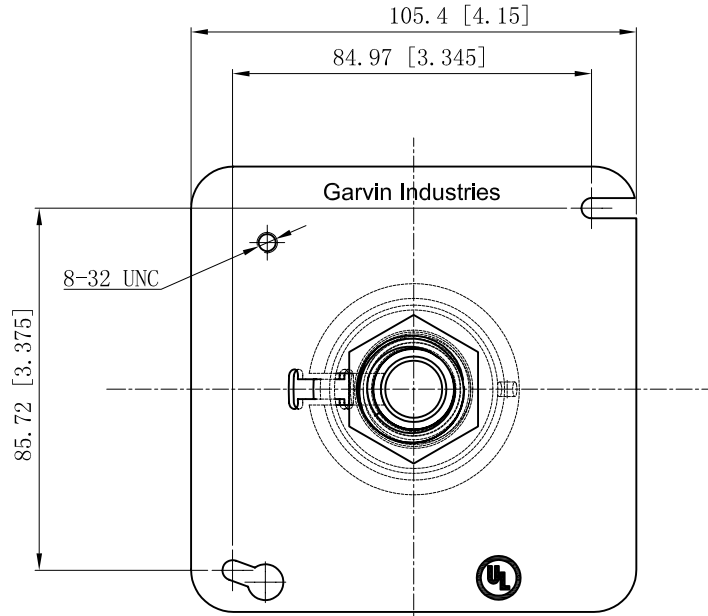
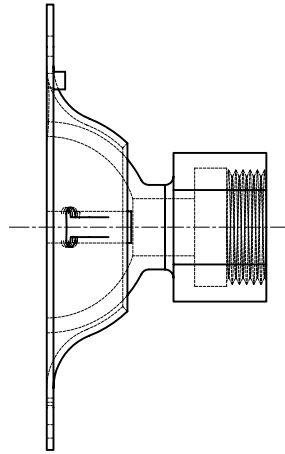


SIDES	BOTTOM
Material: Steel-0.0625"-G60 Galvanized	



This data sheet is for reference only .GARVIN INDUSTRIES reserves the right to make changes to the design without prior notice.

DESCRIPTION
TRADE REFERENCE TERMS

STANDARD PACKING	<h1 style="text-align: center;">GARVIN INDUSTRIES</h1> <h2 style="text-align: center;">4" SQ. SWIVEL FIXTURE</h2>		
25 PCS			
	TITLE	DWG NO.	REV
	A4	SC-75	B
DATA SHEET			