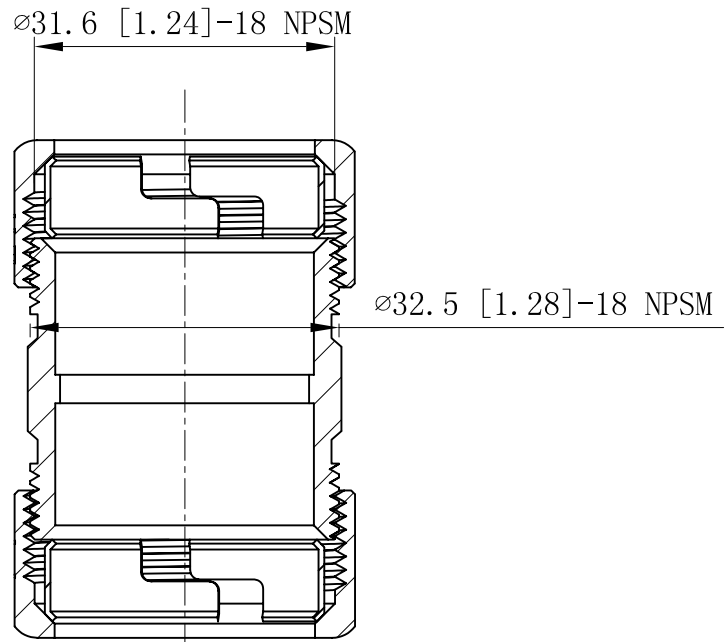
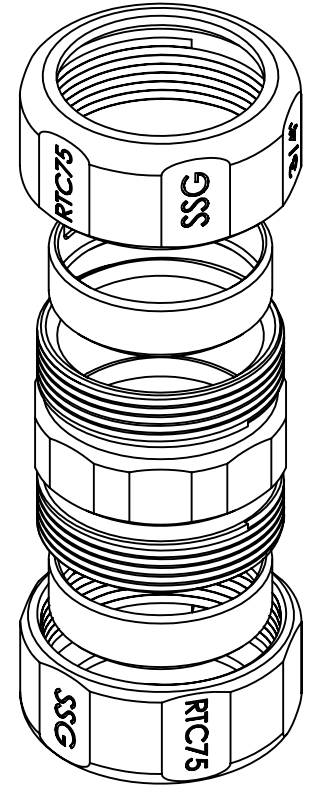
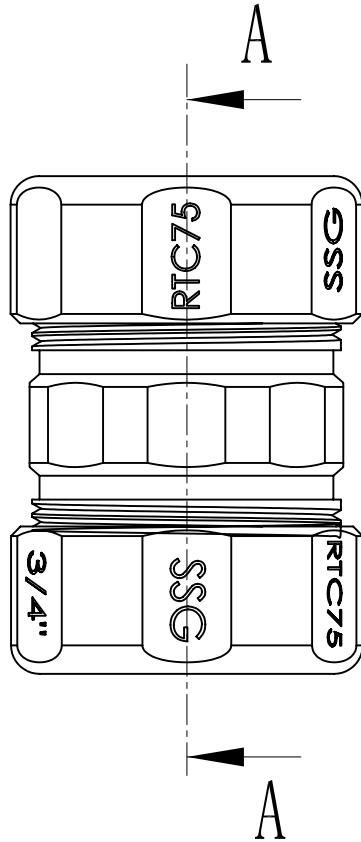


SIDES	BOTTOM
Material:C1018 Seamless steel tube	



CUTAWAY VIEW A-A



DESCRIPTION
TRADE REFERENCE TERMS

This data sheet is for reference only .GARVIN INDUSTRIES reserves the right to make changes to the design without prior notice.

STANDARD PACKING
25 PCS

GARVIN INDUSTRIES		
NO-THREAD CONNECTOR & COUPLINGS		
SIZE A4	DWG NO. RTC75	REV
DATA SHEET		