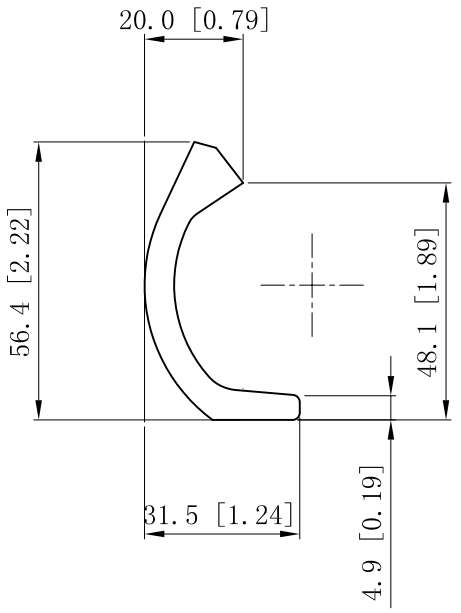
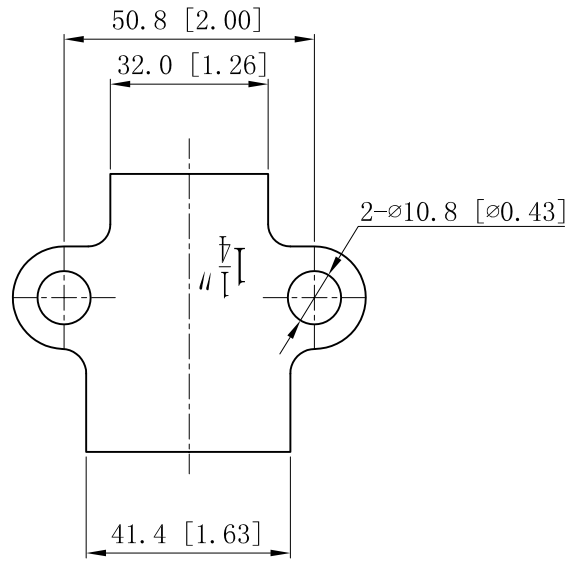
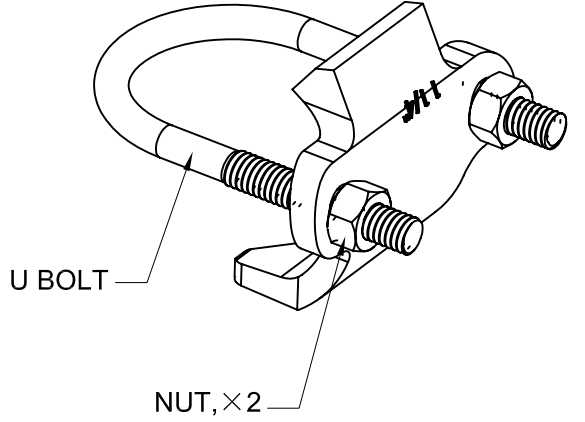
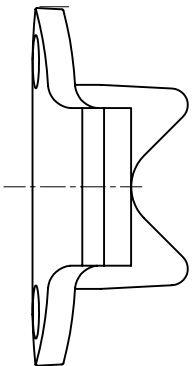


SIDES	BOTTOM
1 1/4" U bolt install, Finish: hot dip galvanizing	
2pcs #5/16"-18 hexed nut install	
Material: Malleable Iron, Finish: hot dip galvanizing	



This data sheet is for reference only .GARVIN INDUSTRIES reserves the right to make changes to the design without prior notice.

DESCRIPTION
TRADE REFERENCE TERMS

STANDARD PACKING
25 PCS

GARVIN INDUSTRIES		
TITLE RIGHT ANGLE CONDUIT CLAMP		
SIZE A4	DWG NO. RA125	REV
DATA SHEET		